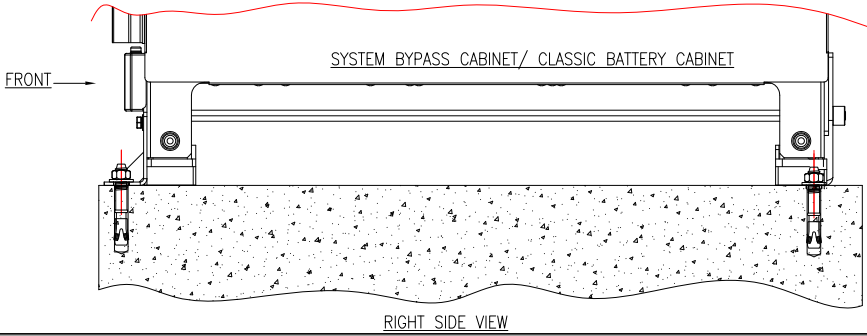
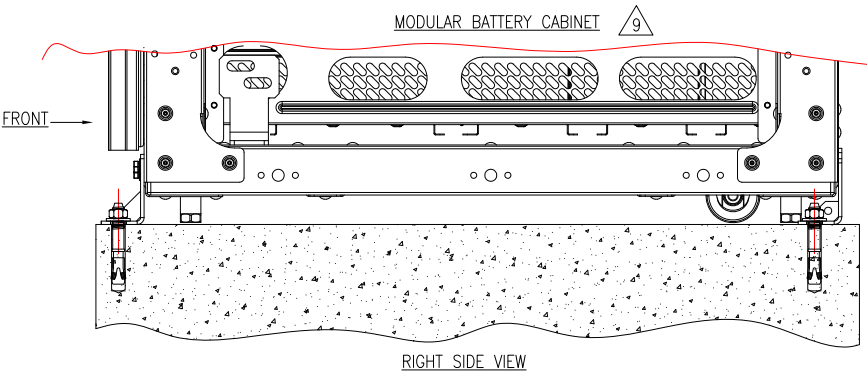


Applicable SKU Numbers	Cabinet	WEIGHT in lb/kg	CENTER OF GRAVITY		
			Center of Gravity in Inches [mm]		
			X-Distance	Y-Distance	Z-Distance
GVMSB180KGS	Power Cabinet	1032 / 469	11.81 [300]	37.40 [950]	14.92 [379]
	I/O Cabinet	463 / 210	7.48 [190]	33.46 [850]	9.02 [229]
GVMRB180KGS	Power Cabinet	1032 / 469	11.81 [300]	37.40 [950]	14.92 [379]
	I/O Cabinet	463 / 210	7.48 [190]	33.46 [850]	9.02 [229]
GVMPB180KGS	Power Cabinet	1032 / 469	11.81 [300]	37.40 [950]	14.92 [379]
	I/O Cabinet	463 / 210	7.48 [190]	33.46 [850]	9.02 [229]
GVMSB225KGS	Power Cabinet	1087 / 494	11.81 [300]	37.40 [950]	14.92 [379]
	I/O Cabinet	462 / 210	7.48 [190]	33.46 [850]	9.02 [229]
GVMRB225KGS	Power Cabinet	1087 / 494	11.81 [300]	37.40 [950]	14.92 [379]
	I/O Cabinet	462 / 210	7.48 [190]	33.46 [850]	9.02 [229]
GVMPB225KGS	Power Cabinet	1087 / 494	11.81 [300]	37.40 [950]	14.92 [379]
	I/O Cabinet	462 / 210	7.48 [190]	33.46 [850]	9.02 [229]

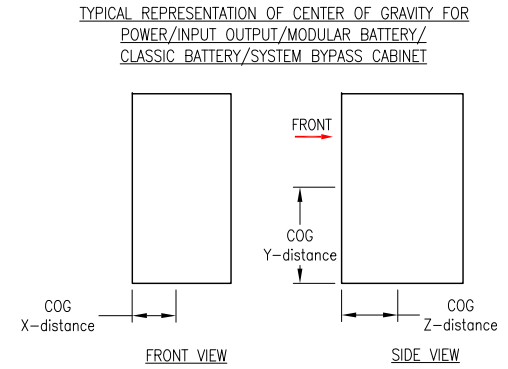


Applicable SKU Numbers	Cabinet	WEIGHT in lb/kg	CENTER OF GRAVITY		
			Center of Gravity in Inches [mm]		
			X-Distance	Y-Distance	Z-Distance
GVMCBCWUE /		3995 / 1816	17.71 [450] (each cabinet)	39.37 [1000] (each cabinet)	15.75 [400] (each cabinet)
GVMCBC2WUE/		7997 / 3635			
GVMCBC2WUF/		6378 / 2899			
GVMCBC3WUF		9579 / 4354			
GVMSBC450KG/		1069 / 485	29.65 [753]	35.83 [910]	11.61 [295]
GVMSBC675KG		1113 / 505	29.65 [753]	36.53 [905]	12.01 [305]
GVMSBCLB675KG		1290 / 585	38.39 [975]	35.43 [900]	12.01 [305]



Applicable SKU Numbers	WEIGHT in lb/kg	CENTER OF GRAVITY		
		Center of Gravity in Inches [mm]		
		X-Distance	Y-Distance	Z-Distance
GVMMODBCN	306 / 139	7.24 [184]	39.37 [1000]	15.75 [400]
GVMMODBCW	462 / 210	13.74 [349]	39.37 [1000]	15.75 [400]
GVMMBTU	66 / 30			

1 STRING = (4)GVMMBTU



- NOTES:**
- INSTALLATION SHALL COMPLY WITH ALL APPLICABLE NATIONAL, STATE AND LOCAL CODES.
  - REFER TO PRODUCT DOCUMENTATION FOR ADDITIONAL DETAILS PRIOR TO INSTALLATION AND SITE PREPARATION WORK.
  - ALL DIMENSIONS ARE IN INCHES [MILLIMETERS].
  - SELECT APPROPRIATE HOLE PATTERN FOR EQUIPMENT REQUIRED.
  - SCHNEIDER ELECTRIC DOES NOT UNDERTAKE RESPONSIBILITY FOR THE LAYOUT OR CONSTRUCTION OF THE FLOOR.
  - CABINETS WERE SEISMIC TESTED USING 1/2" GRADE 5 BOLTS TORQUED TO 65ft-lbs FOR AN ANCHORING HOLE OF DIA 0.71".
  - TESTED TO ICC ES AC156 WITH LEVEL2 PARAMETERS FROM TABLE-1.
  - FLOOR ANCHORING BOLTS ARE NOT SUPPLIED.
  - MODULAR BATTERY CABINETS REQUIRE TOP ANCHORING ABOVE LEVEL-1.
  - FOR NUMBER OF STRINGS CORRESPONDING TO VARIOUS RUNTIMES REFER TO SUBMITTAL DRAWINGS GVMMODBCW / GVMMODBCN.
  - THIS INFORMATION PROVIDES CONSERVATIVE CENTER OF GRAVITY CALCULATION.

Test Criteria	SDs (g) *		z/h*	Horizontal			Vertical			IP
	Horizontal	Vertical		AFLEX*	ARIG*	AFLEX/ARIG	AFLEX*	ARIG*	AFLEX/ARIG	
Level 1	1.25	1.78	1	2	1.5	1.33	1.19	0.48	2.5	1.5
Level 2	1.78	2.46	1	2.85	2.14	1.33	1.64	0.66	2.5	1.5

\* Equipment is qualified for SDs & z/h values shown. Qualification may be valid for higher SDs where z/h < 1.0

THIS DRAWING AND SPECIFICATIONS HEREIN ARE THE PROPERTY OF SCHNEIDER ELECTRIC AND SHALL NOT BE COPIED, REPRODUCED OR USED IN WHOLE OR IN PART, AS THE BASIS FOR THE MANUFACTURE OR SALE OF ITEMS WITHOUT WRITTEN PERMISSION FROM SCHNEIDER ELECTRIC. THIS DRAWING IS BASED UPON LATEST AVAILABLE INFORMATION AND IS SUBJECT TO CHANGE WITHOUT NOTICE.



**TITLE:** Galaxy VM PRODUCTS TYPICAL INSTALLATION DETAILS FOR SEISMIC ANCHORING

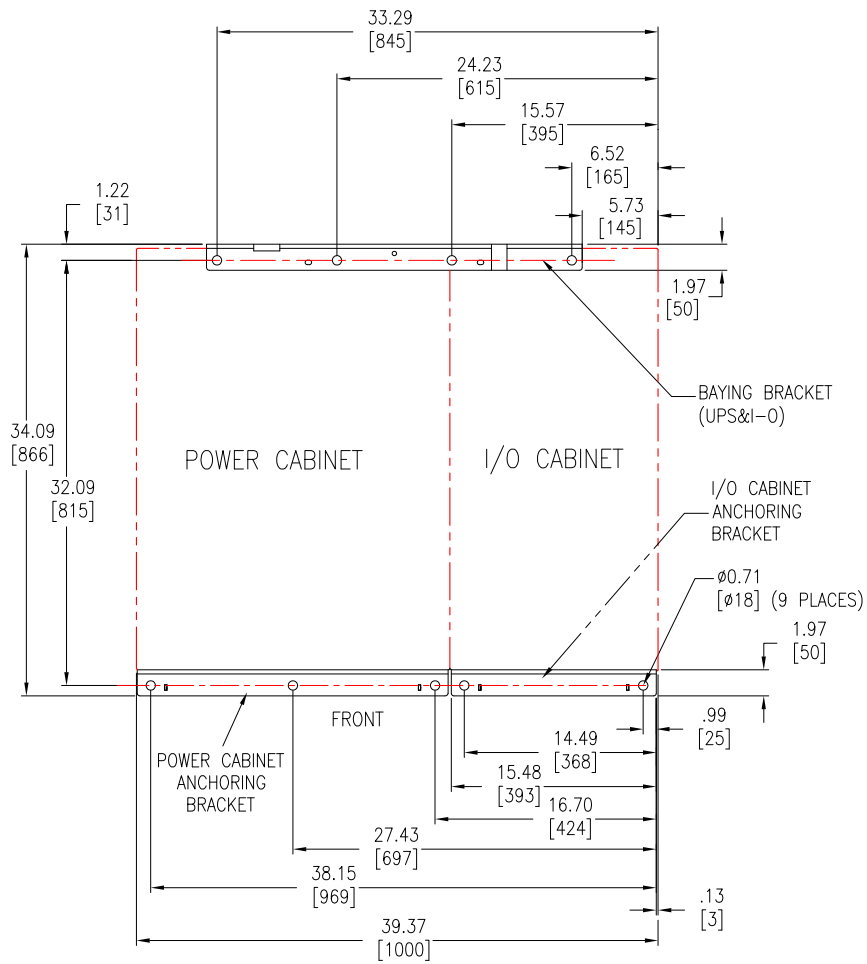
**PROJECT:** DRAWINGS **SHEET** 1 OF 5

**DWG NO:** GVMANCHORING-SA **REV.** 1

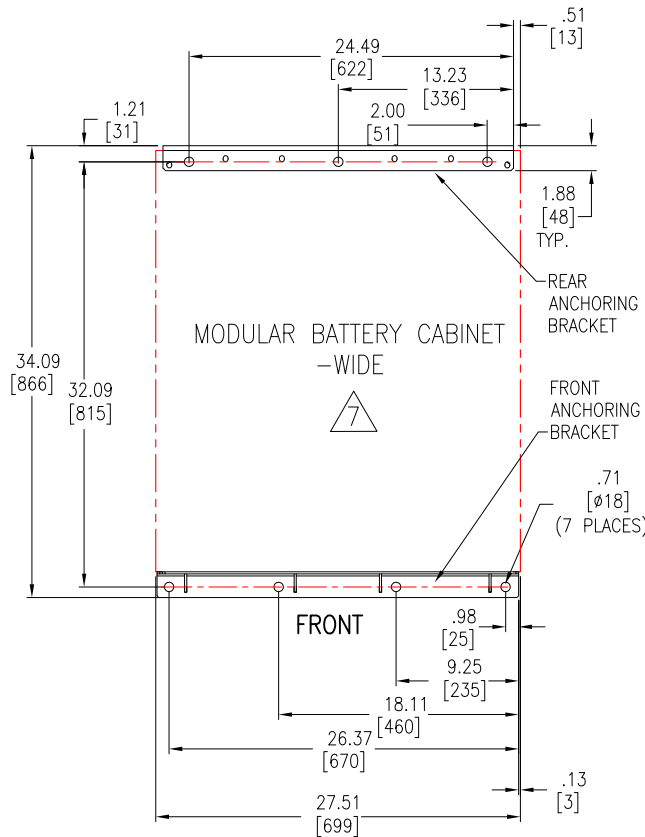
**DRAWN BY:** BALAMURUGAN 18-MAR-15 **THIRD**

**ENGINEER:** C ANDERSEN/Z WILLIAM 18-MAR-15 **ANGLE**

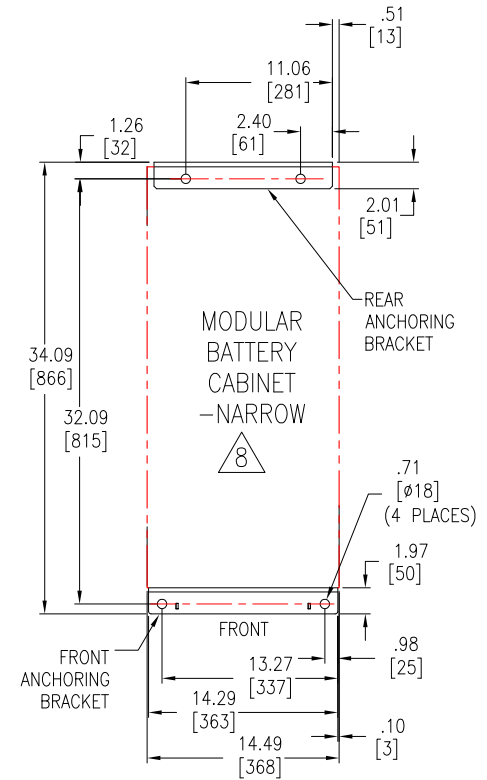
**APPROVED BY:** B SHERIDAN 18-MAR-15 **PROJECTION**



TYPICAL SEISMIC ANCHORING DETAILS FOR  
 SKUs: GVMSB180KGS/GVMPB180KGS/GVMRB180KGS/  
 GVMSB225KGS/GVMPB225KGS/GVMRB225KGS



TOP VIEW (SEISMIC ANCHORING DETAILS)  
 APPLICABLE SKU: GVMMODBCW



TOP VIEW SEISMIC ANCHORING DETAILS  
 APPLICABLE SKU: GVMMODBCN

- NOTES:
1. INSTALLATION SHALL COMPLY WITH ALL APPLICABLE NATIONAL, STATE AND LOCAL CODES.
  2. REFER TO PRODUCT DOCUMENTATION FOR ADDITIONAL DETAILS PRIOR TO INSTALLATION AND SITE PREPARATION WORK.
  3. ALL DIMENSIONS ARE IN INCHES [MILLIMETERS].
  4. SELECT APPROPRIATE HOLE PATTERN FOR EQUIPMENT REQUIRED.
  5. SCHNEIDER ELECTRIC DOES NOT UNDERTAKE RESPONSIBILITY FOR THE LAYOUT OR CONSTRUCTION OF THE FLOOR.
  6. CABINETS WERE SEISMIC TESTED USING 1/2" GRADE 5 BOLTS TORQUED TO 65ft-lbs FOR AN ANCHORING HOLE OF DIA 0.71".

- △7. IN LOCATIONS WITH SEISMIC REQUIREMENTS ABOVE LEVEL-1. (1.25g<SDS<1.78g) ADDITIONAL TOP ANCHORING IS REQUIRED. KIT:- GVML2MBCW-KIT.
- △8. IN LOCATIONS WITH SEISMIC REQUIREMENTS ABOVE LEVEL-1. (1.25g<SDS<1.78g) ADDITIONAL TOP ANCHORING IS REQUIRED. KIT:- GVML2MBCN-KIT.

THIS DRAWING AND SPECIFICATIONS HEREIN ARE THE PROPERTY OF SCHNEIDER ELECTRIC AND SHALL NOT BE COPIED, REPRODUCED OR USED IN WHOLE OR IN PART, AS THE BASIS FOR THE MANUFACTURE OR SALE OF ITEMS WITHOUT WRITTEN PERMISSION FROM SCHNEIDER ELECTRIC. THIS DRAWING IS BASED UPON LATEST AVAILABLE INFORMATION AND IS SUBJECT TO CHANGE WITHOUT NOTICE.



TITLE: Galaxy VM ANCHORING DIMENSIONAL DETAILS FOR SEISMIC ANCHORING UPS AND MODULAR BATTERY CABINETS

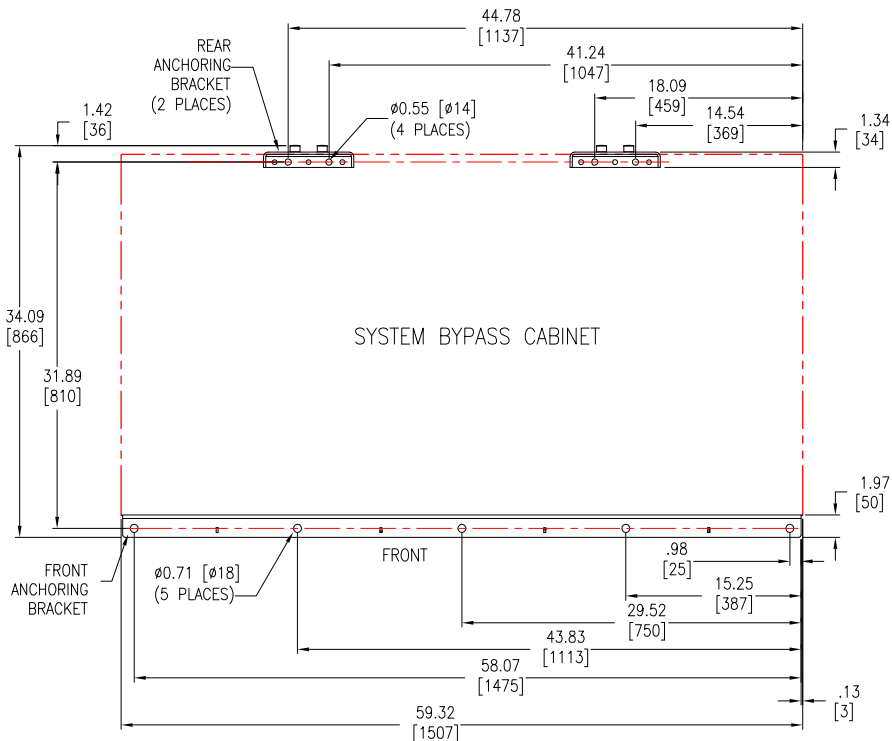
PROJECT: DRAWINGS SHEET 2 OF 5

DWG NO: GVMANCHORING-SA REV. 1

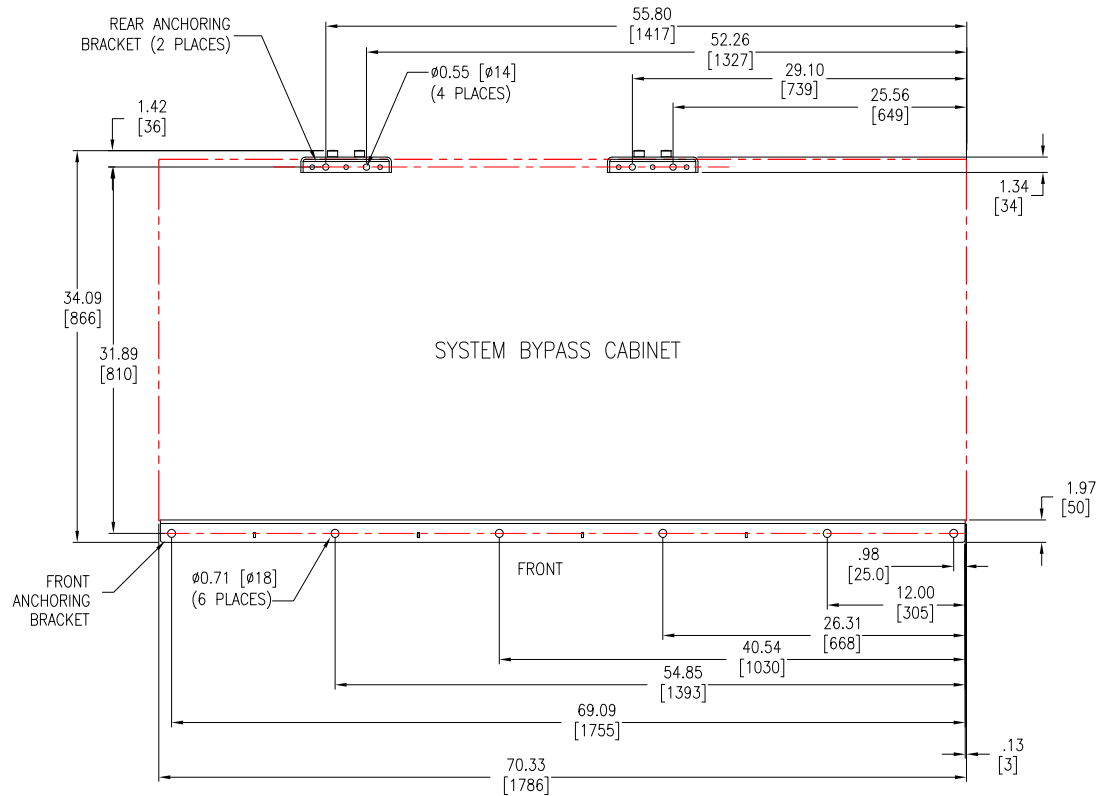
DRAWN BY: BALAMURUGAN 18-MAR-15 THIRD

ENGINEER: C ANDERSEN/Z WILLIAM 18-MAR-15 ANGLE

APPROVED BY: B SHERIDAN 18-MAR-15 PROJECTION



TOP VIEW SEISMIC ANCHORING DETAILS  
(APPLICABLE SKUs: GVMSBC450KG/GVMSBC675KG)



TOP VIEW SEISMIC ANCHORING DETAILS (APPLICABLE SKUs: GVMSBCLB675KG)

- NOTES:
1. INSTALLATION SHALL COMPLY WITH ALL APPLICABLE NATIONAL, STATE AND LOCAL CODES.
  2. REFER TO PRODUCT DOCUMENTATION FOR ADDITIONAL DETAILS PRIOR TO INSTALLATION AND SITE PREPARATION WORK.
  3. ALL DIMENSIONS ARE IN INCHES [MILLIMETERS].
  4. SELECT APPROPRIATE HOLE PATTERN FOR EQUIPMENT REQUIRED.
  5. SCHNEIDER ELECTRIC DOES NOT UNDERTAKE RESPONSIBILITY FOR THE LAYOUT OR CONSTRUCTION OF THE FLOOR.
  6. CABINETS WERE SEISMIC TESTED USING 1/2" GRADE 5 BOLTS TORQUED TO 65ft-lbs FOR AN ANCHORING HOLE OF DIA 0.71".

THIS DRAWING AND SPECIFICATIONS HEREIN ARE THE PROPERTY OF SCHNEIDER ELECTRIC AND SHALL NOT BE COPIED, REPRODUCED OR USED IN WHOLE OR IN PART, AS THE BASIS FOR THE MANUFACTURE OR SALE OF ITEMS WITHOUT WRITTEN PERMISSION FROM SCHNEIDER ELECTRIC. THIS DRAWING IS BASED UPON LATEST AVAILABLE INFORMATION AND IS SUBJECT TO CHANGE WITHOUT NOTICE.



TITLE: Galaxy VM ANCHORING DIMENSIONAL DETAILS FOR SEISMIC ANCHORING SYSTEM BYPASS CABINET

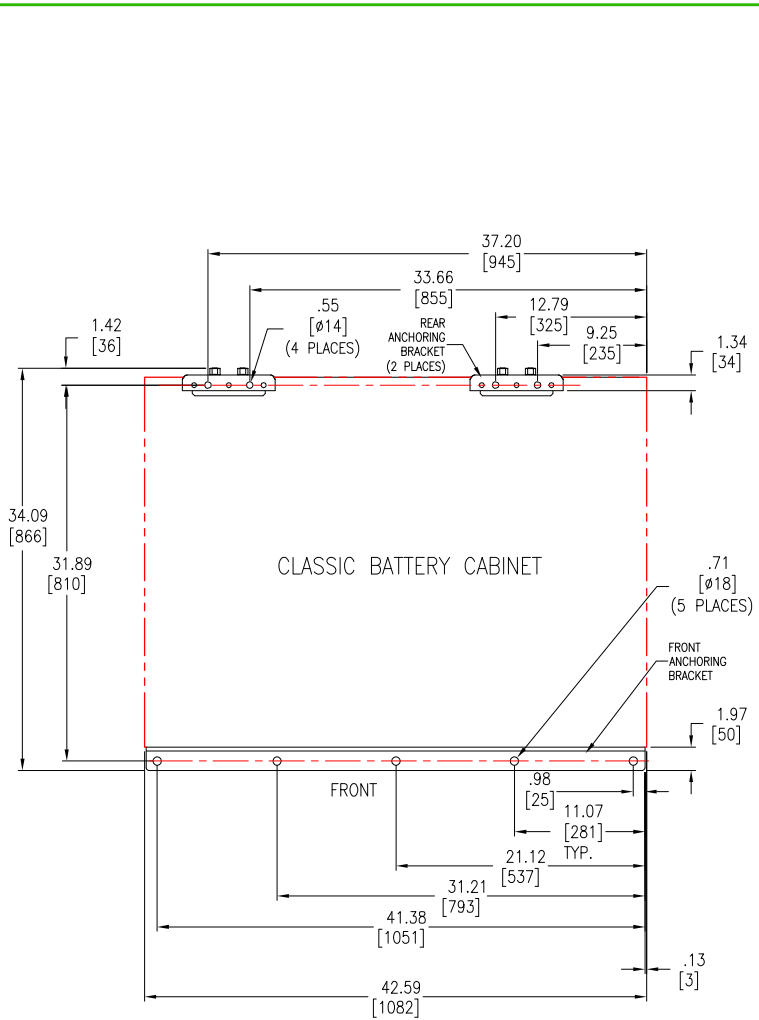
PROJECT: DRAWINGS SHEET 3 OF 5

DWG NO: GVMANCHORING-SA REV. 0

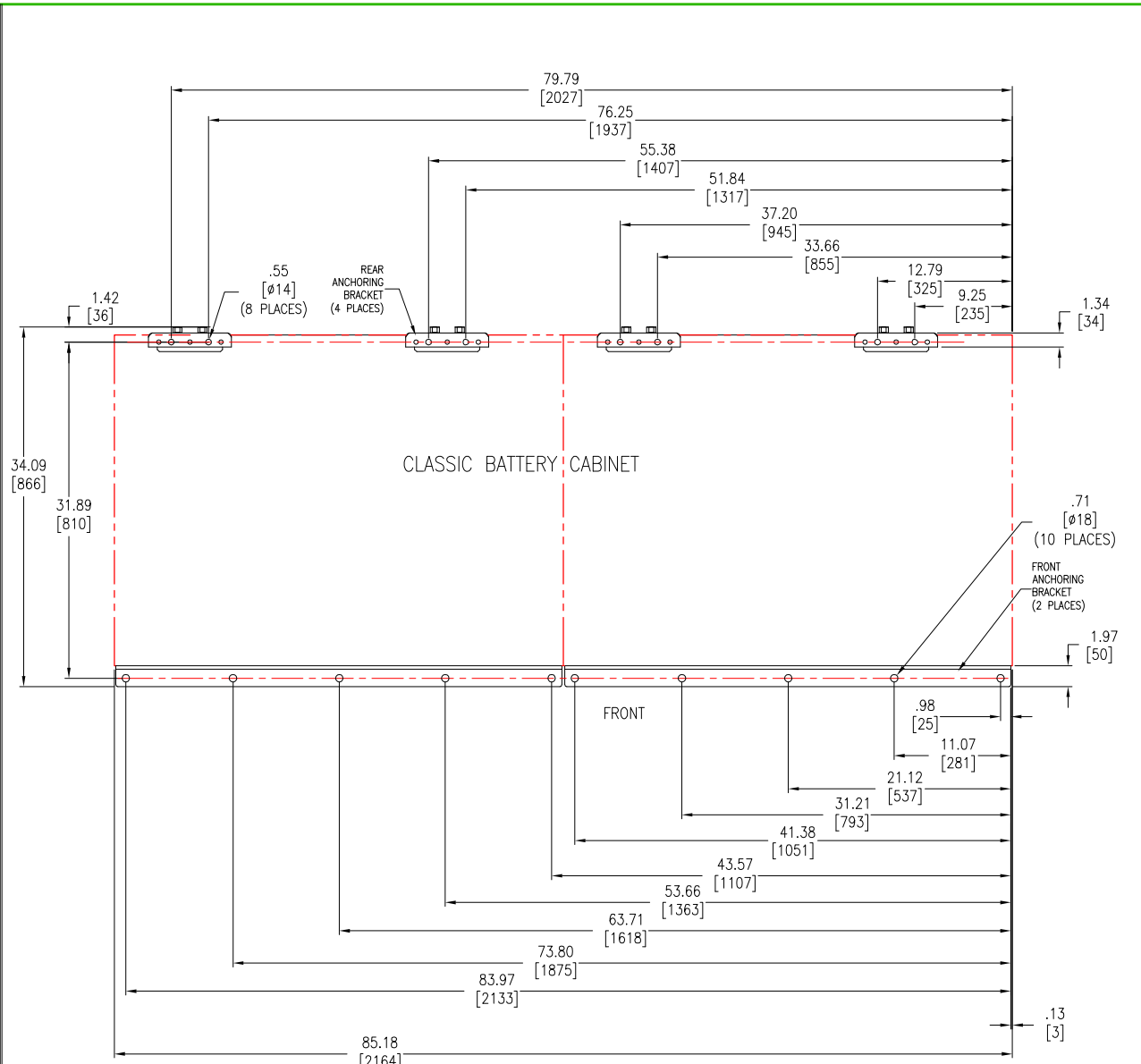
DRAWN BY: BALAMURUGAN 28-FEB-14 THIRD

ENGINEER: C ANDERSEN/Z WILLIAM 28-FEB-14 ANGLE

APPROVED BY: M DESHPANDE 28-FEB-14 PROJECTION



SEISMIC ANCHORING DETAILS (GVMCBCWUE)



SEISMIC ANCHORING DETAILS (GVMCBC2WE)

- NOTES:
1. INSTALLATION SHALL COMPLY WITH ALL APPLICABLE NATIONAL, STATE AND LOCAL CODES.
  2. REFER TO PRODUCT DOCUMENTATION FOR ADDITIONAL DETAILS PRIOR TO INSTALLATION AND SITE PREPARATION WORK.
  3. ALL DIMENSIONS ARE IN INCHES [MILLIMETERS].
  4. SELECT APPROPRIATE HOLE PATTERN FOR EQUIPMENT REQUIRED.
  5. SCHNEIDER ELECTRIC DOES NOT UNDERTAKE RESPONSIBILITY FOR THE LAYOUT OR CONSTRUCTION OF THE FLOOR.
  6. CABINETS WERE SEISMIC TESTED USING 1/2" GRADE 5 BOLTS TORQUED TO 65ft-lbs FOR AN ANCHORING HOLE OF DIA 0.71".

THIS DRAWING AND SPECIFICATIONS HEREIN ARE THE PROPERTY OF SCHNEIDER ELECTRIC AND SHALL NOT BE COPIED, REPRODUCED OR USED IN WHOLE OR IN PART, AS THE BASIS FOR THE MANUFACTURE OR SALE OF ITEMS WITHOUT WRITTEN PERMISSION FROM SCHNEIDER ELECTRIC. THIS DRAWING IS BASED UPON LATEST AVAILABLE INFORMATION AND IS SUBJECT TO CHANGE WITHOUT NOTICE.

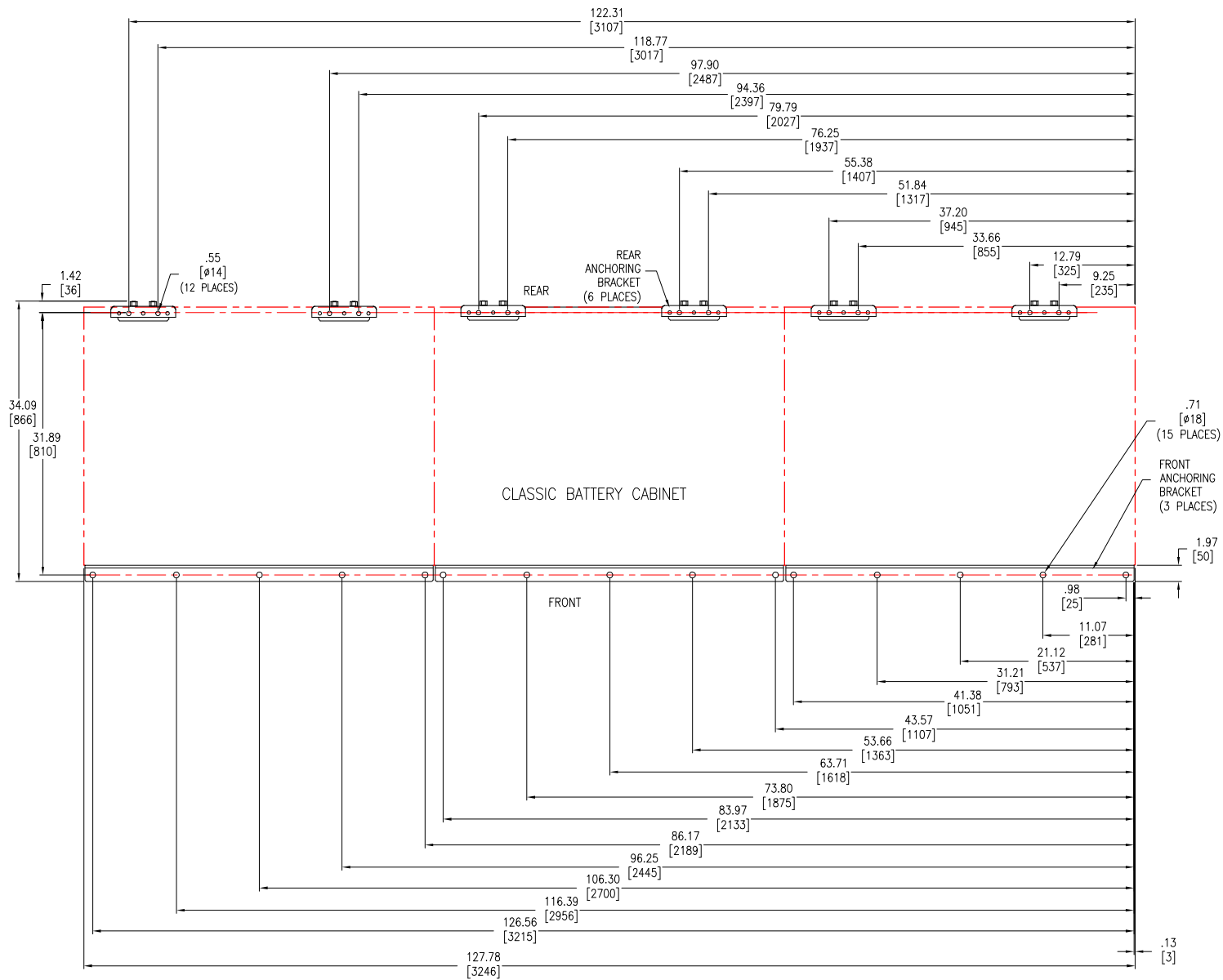


TITLE: Galaxy VM ANCHORING DIMENSIONAL DETAILS FOR SEISMIC ANCHORING CLASSIC BATTERY CABINETS-1

PROJECT: DRAWINGS SHEET 4 OF 5

DWG NO: GVMANCHORING-SA REV. 0

DRAWN BY: BALAMURUGAN	28-FEB-14	THIRD
ENGINEER: C ANDERSEN/Z WILLIAM	28-FEB-14	ANGLE
APPROVED BY: M DESHPANDE	28-FEB-14	PROJECTION



SEISMIC ANCHORING DETAILS (GVMCBC3WUF)

- NOTES:**
1. INSTALLATION SHALL COMPLY WITH ALL APPLICABLE NATIONAL, STATE AND LOCAL CODES.
  2. REFER TO PRODUCT DOCUMENTATION FOR ADDITIONAL DETAILS PRIOR TO INSTALLATION AND SITE PREPARATION WORK.
  3. ALL DIMENSIONS ARE IN INCHES [MILLIMETERS].
  4. SELECT APPROPRIATE HOLE PATTERN FOR EQUIPMENT REQUIRED.
  5. SCHNEIDER ELECTRIC DOES NOT UNDERTAKE RESPONSIBILITY FOR THE LAYOUT OR CONSTRUCTION OF THE FLOOR.
  6. CABINETS WERE SEISMIC TESTED USING 1/2" GRADE 5 BOLTS TORQUED TO 65ft-lbs FOR AN ANCHORING HOLE OF DIA 0.71".

THIS DRAWING AND SPECIFICATIONS HEREIN ARE THE PROPERTY OF SCHNEIDER ELECTRIC AND SHALL NOT BE COPIED, REPRODUCED OR USED IN WHOLE OR IN PART, AS THE BASIS FOR THE MANUFACTURE OR SALE OF ITEMS WITHOUT WRITTEN PERMISSION FROM SCHNEIDER ELECTRIC. THIS DRAWING IS BASED UPON LATEST AVAILABLE INFORMATION AND IS SUBJECT TO CHANGE WITHOUT NOTICE.



**TITLE:** Galaxy VM ANCHORING DIMENSIONAL DETAILS FOR SEISMIC ANCHORING CLASSIC BATTERY CABINETS-2

PROJECT: DRAWINGS SHEET 5 OF 5

**DWG NO:** GVMANCHORING-SA REV. 0

**DRAWN BY:** BALAMURUGAN 28-FEB-14 THIRD

**ENGINEER:** C ANDERSEN/Z WILLIAM 28-FEB-14 ANGLE

**APPROVED BY:** M DESHPANDE 28-FEB-14 PROJECTION