

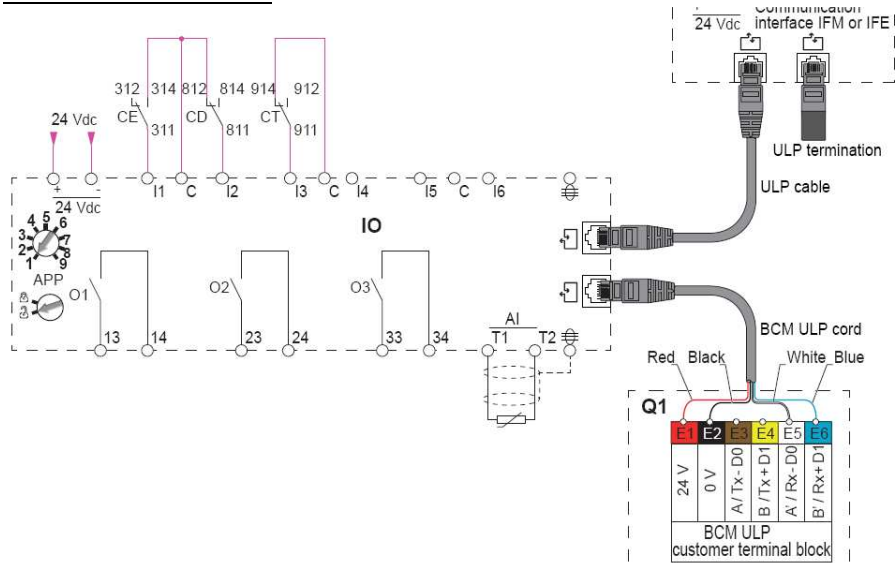
**Problem:**

6.0P trip unit stuck in ERMS mode from the factory. ERMS is flashing on the trip unit display. Customer does not have any ERMS switch installed. IO module is set to application 1 (cradle management) and only the I2 and I3 LED are on.

**Resolution:**

Make a Jumper and install on IO module terminals C to I4 (ERMS off command). Set IO module to application 3 (cradle management and ERMS), validate. Wait for trip unit to turn ERMS off (no ERMS blinking). Set IO module back to app 1, validate. Then remove C/I4 jumper.

**Customer architecture:**



**ERMS architecture:**

