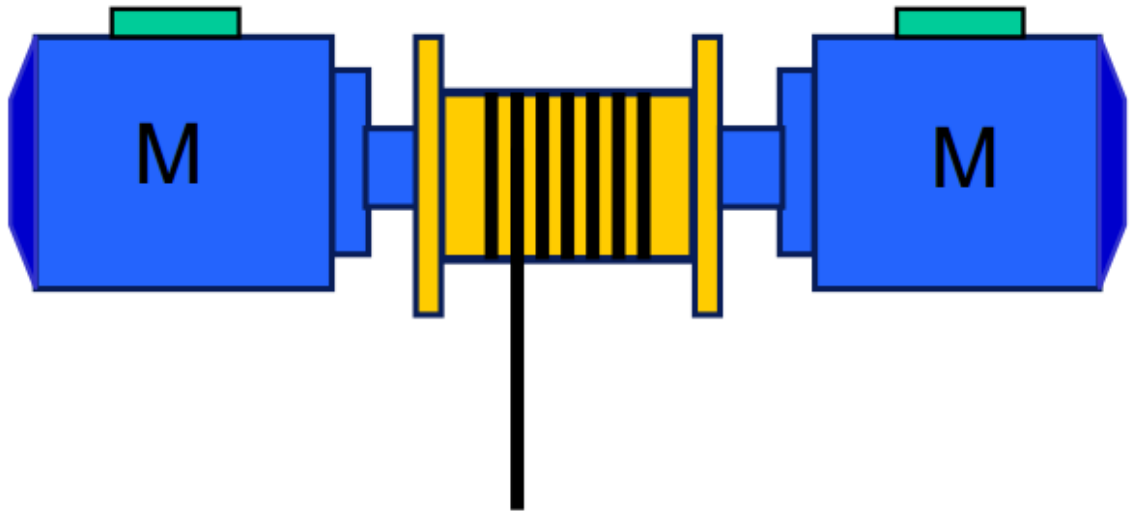


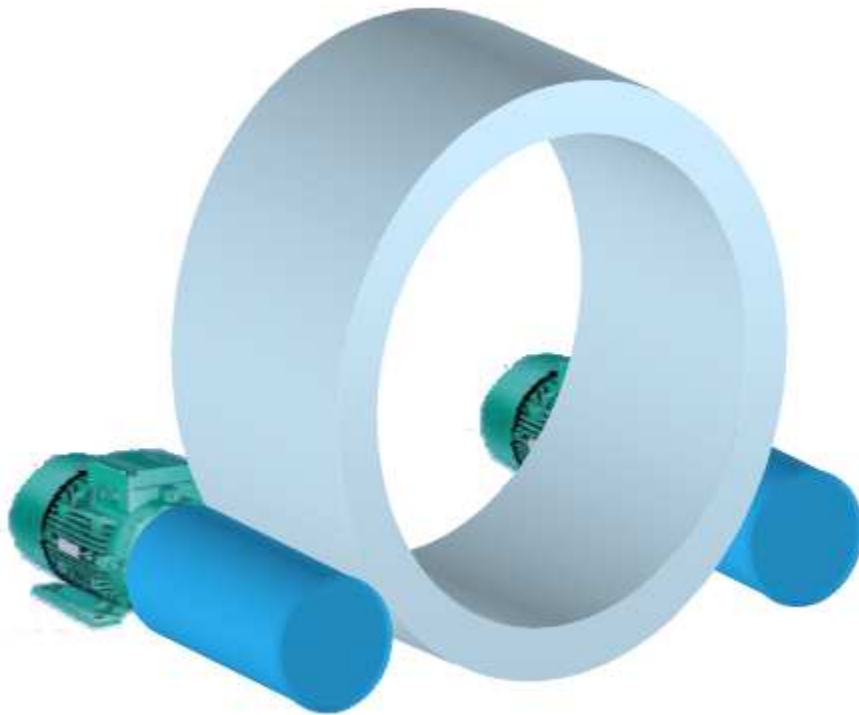
QUIZZ:

What kind of coupling rigid or elastic are represented by following applications?

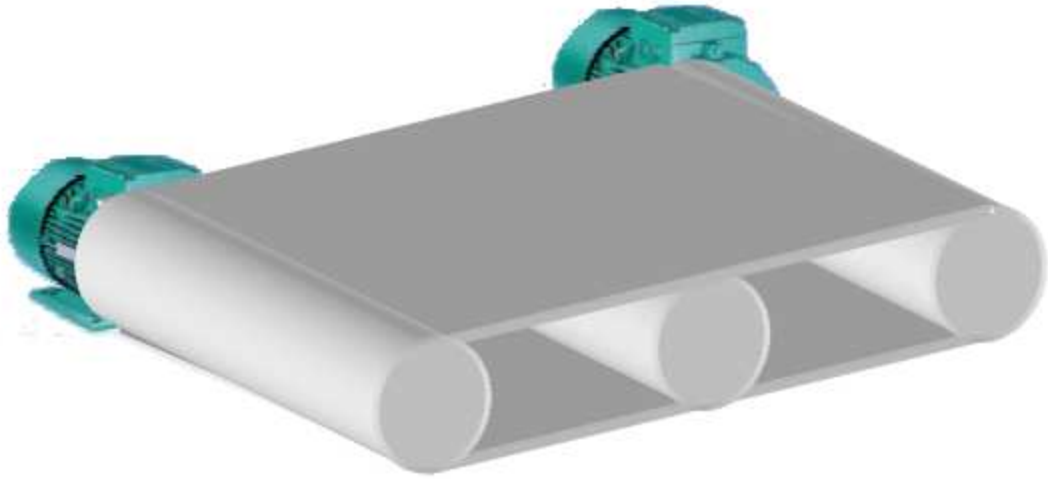
1. Hoist motors



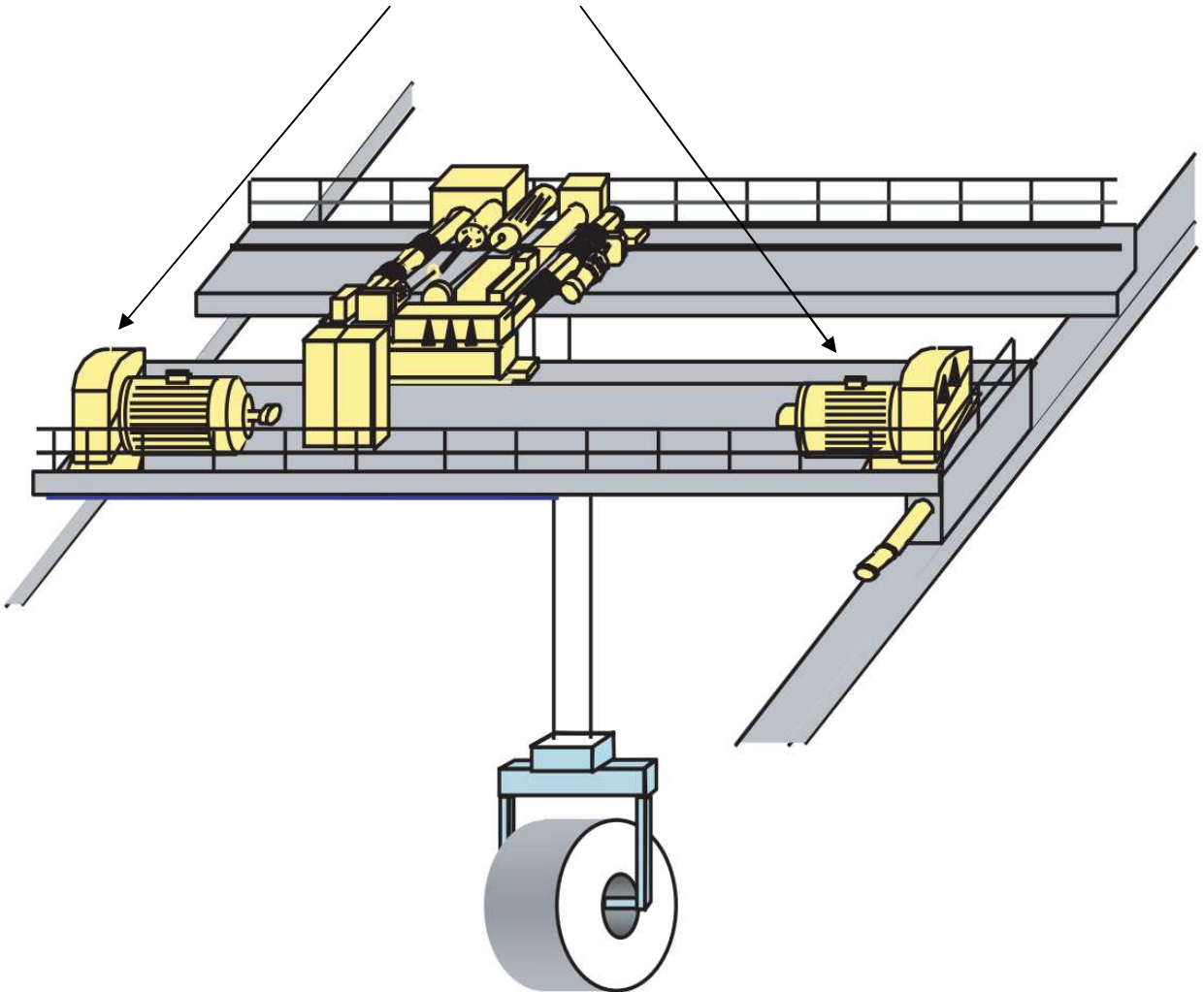
- 2.



3.

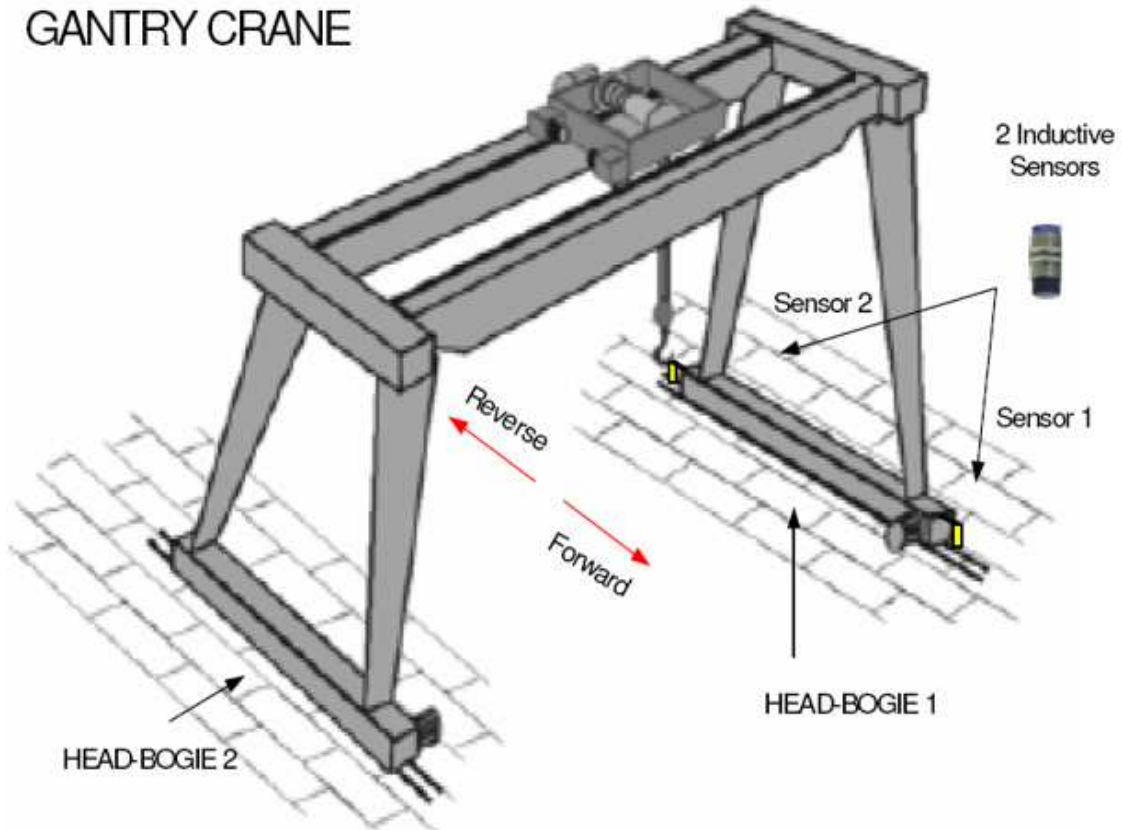


4. Bridge crane (motors for traverse)

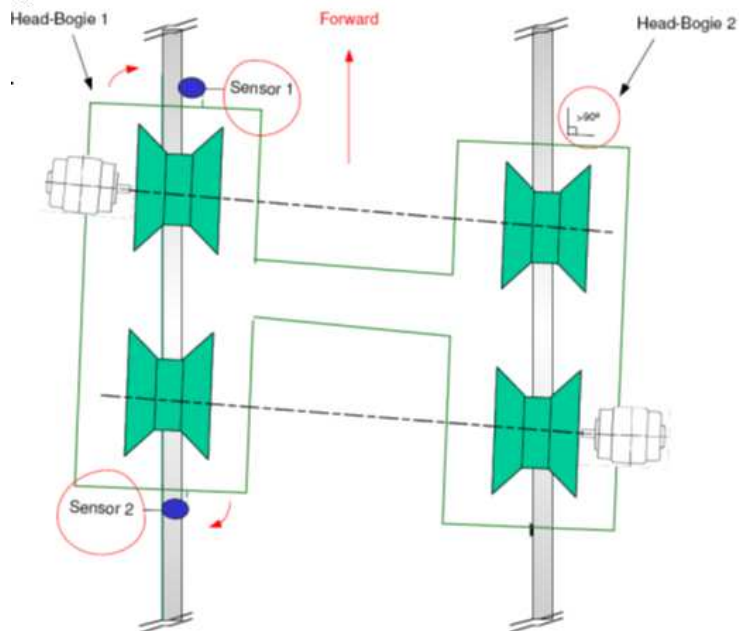


5.

## GANTRY CRANE



Can motor on bogie 1 and bogie 2 have different speed? What happens if so? See next picture



Can rails force bogie wheels to have the same speed? Or will the gantry be blocked at the end?