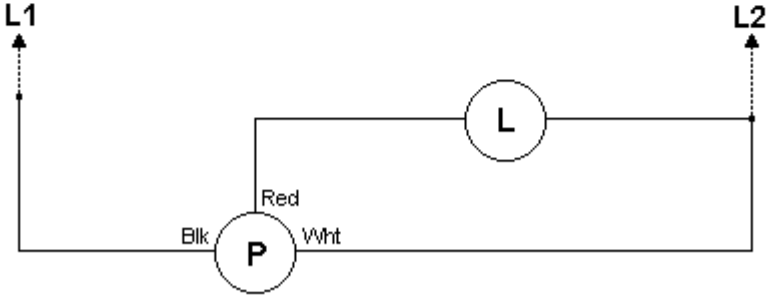
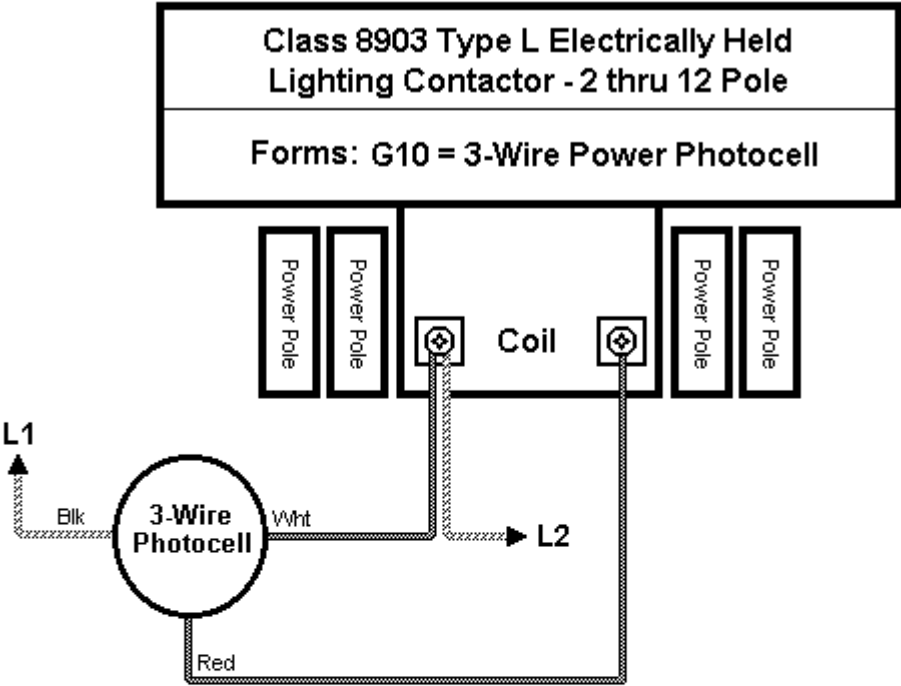


Point-To-Point Wiring Diagram - Form: G10

8903 Type L 20A (30A Ballast) Electrically Held

This wiring diagram is intended to aid in the troubleshooting of devices in the field.



Elementary Diagram

6-09-99
8903L-D.bmp