

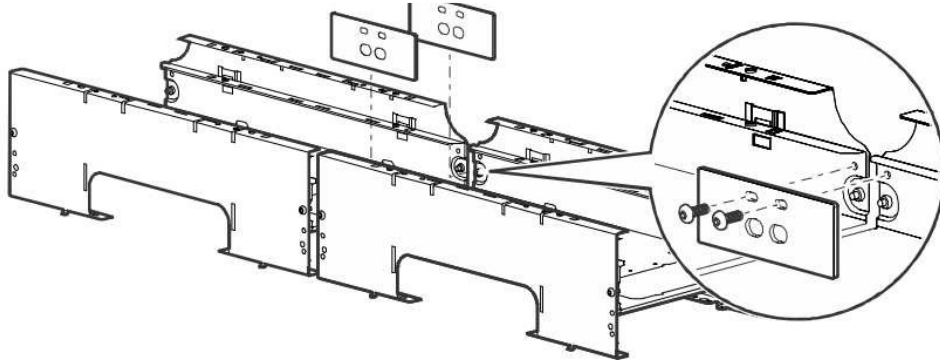
The new NetShelter roof has fewer mounting tabs in the rear for troughs. The older roofs had holes all the way to the rear.



The new NetShelter roofs have fewer mounting tab holes in the rear for troughs. It appears that troughs cannot mount as deeply as they had in the past.

How can troughs be mounted in the rear?

The troughs can be supported by connecting them to the adjacent troughs as shown in the installation manual. You can also attach the troughs to the cabinet using cage nuts and M6 screws.



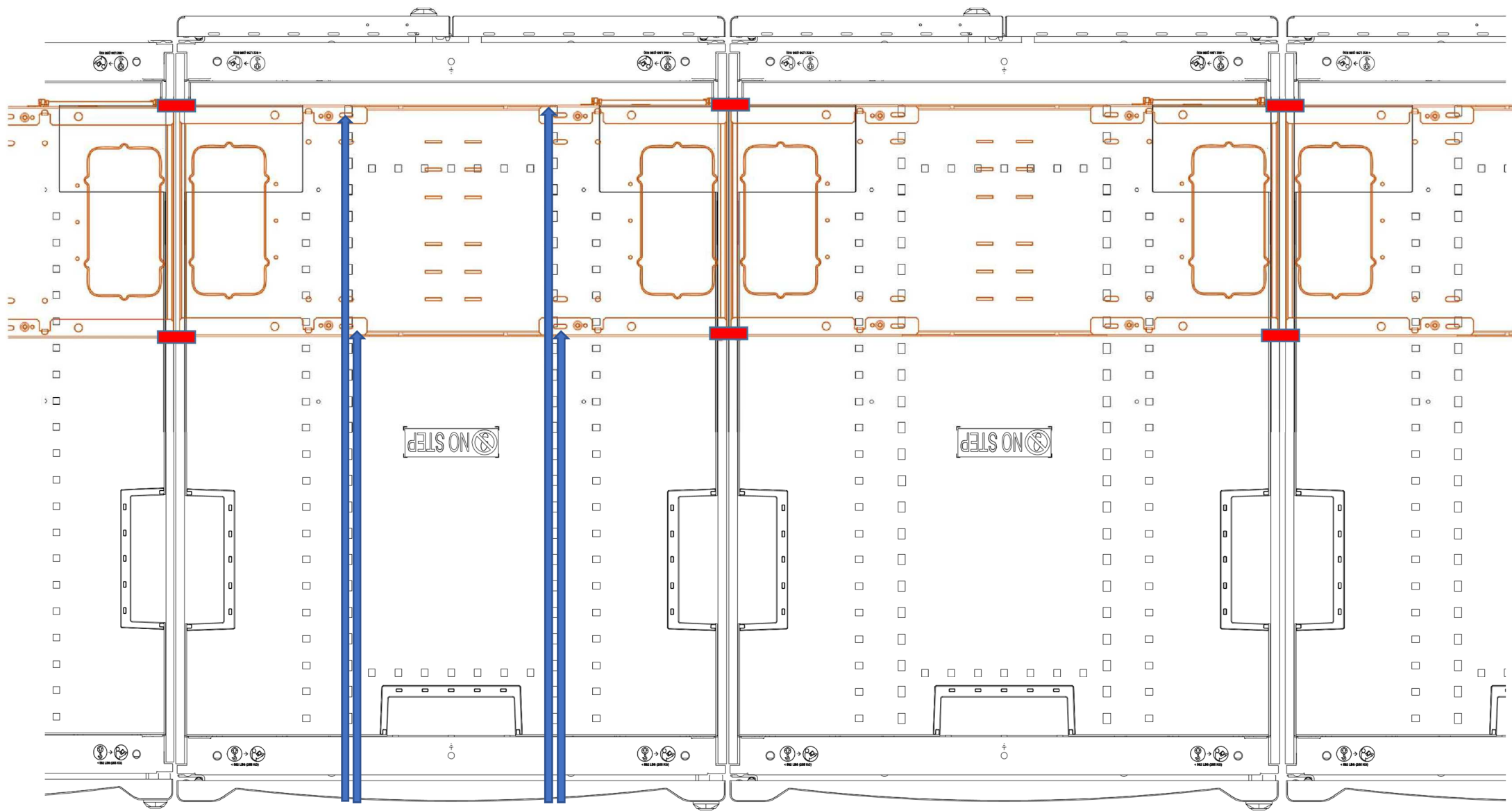
On the next page there's a drawing illustrating the troughs mounted towards the rear of the new roofs.

The cabinets are **BLACK**.

The troughs are **BROWN**

The attachment brackets are **RED**.

The cage nut placement in **BLUE**.



 **4 cage nuts** 

FRONT