

Connection accessories

See module CA907001

8	Splitter blocks	Multiclip	See module	CA907004
		Distribloc	See module	CA907003
9	50 mm ² Al terminal			27060
10	Screw-on connection for ring terminal			27053
11	Multi-cables terminal	4 parts		19091
		3 parts		19096
12	Comb busbar		See module	CM907007

Mounting accessories

See module CA907001

13	Sealable terminal shields for top and bottom connection	1P (set of 2)	A9A26975
		2P (set of 2)	A9A26976
		3P	1P + 2P
		4P	2P + 2P
14	Interpole barrier	(set of 10)	A9A27001
15	Screw shields	4P (set of 20)	A9A26981
15"	Screw shields Vigi iC60	(set of 12)	A9A26982
16	Clip-on terminal markers		See module CA907001
17	9 mm spacer		A9A27062
18	Padlocking device	(set of 10)	A9A26970
19	Plug-in base		A9A27003
20	Rotary handle		
	Black handle		A9A27005
	Red handle		A9A27006
	No handle		A9A27008

Electrical auxiliaries

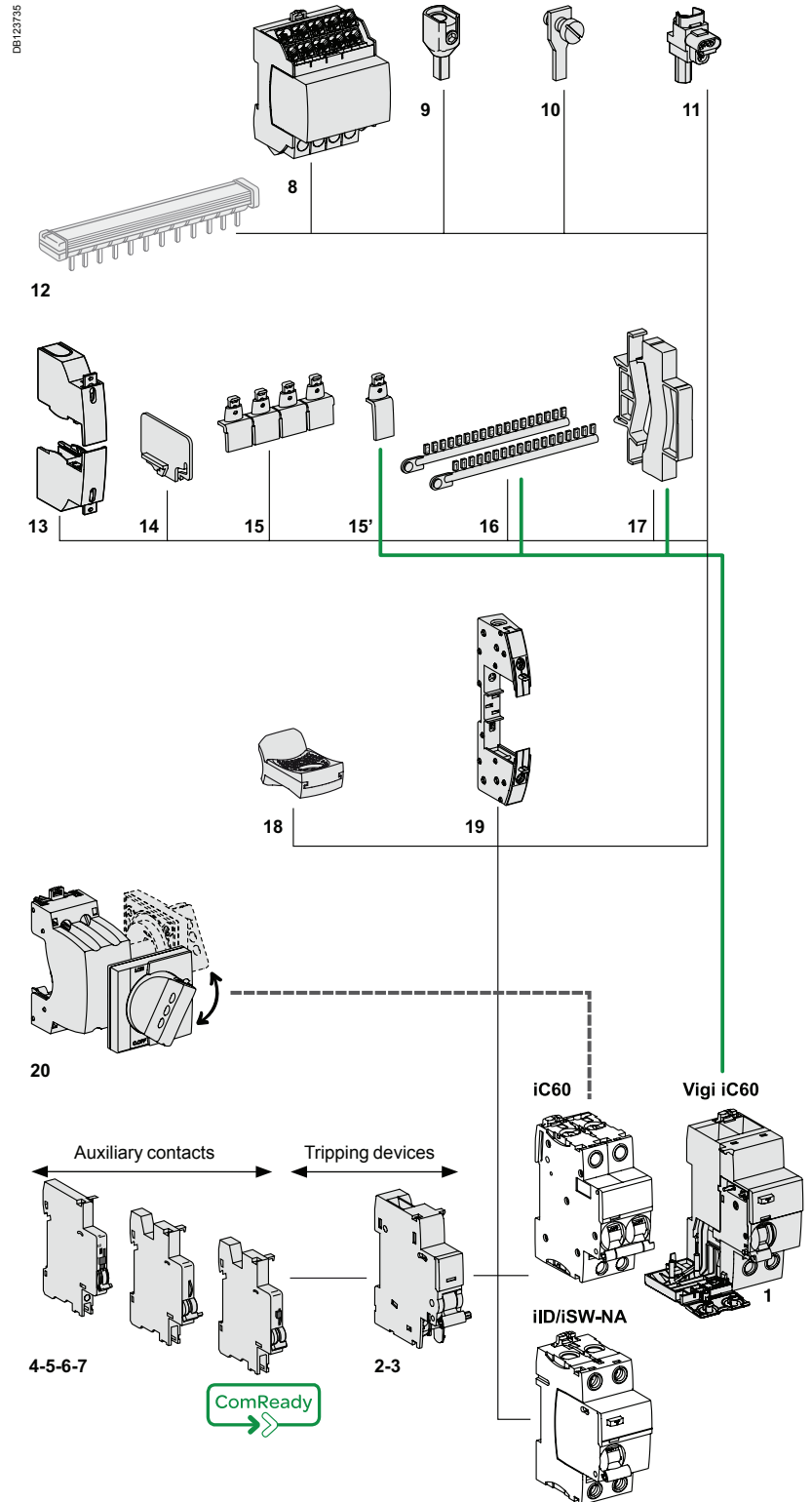
See module CA907002

Indication

4	iOF/SD+OF auxiliary contact (OF+SD or OF+OF combination switch)		A9A26929
5	iSD fault indicating contact		A9A26927
6	iOF open/close auxiliary contact		A9A26924
7	iOF+SD24 auxiliary contact		A9A26897

Tripping devices

2	iMN undervoltage release or iMNs undervoltage release delayed or iMNx undervoltage release with external feeding	See module	CA907002
3	Shunt release iMX, iMX+OF overvoltage release iMSU	See module	CA907002



Vigi iC60

See module CA907005

1	Vigi iC60 add-on residual current device	See module	CA902005
---	--	------------	----------



Tripping devices must be mounted first.
Respect specified position for SD functions.