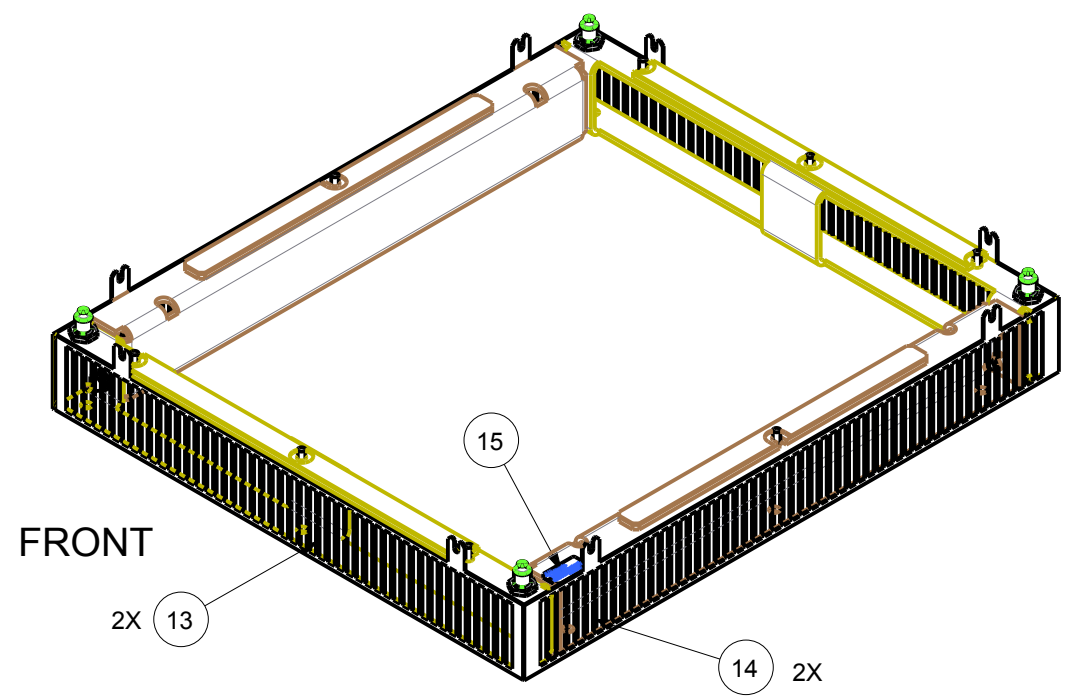
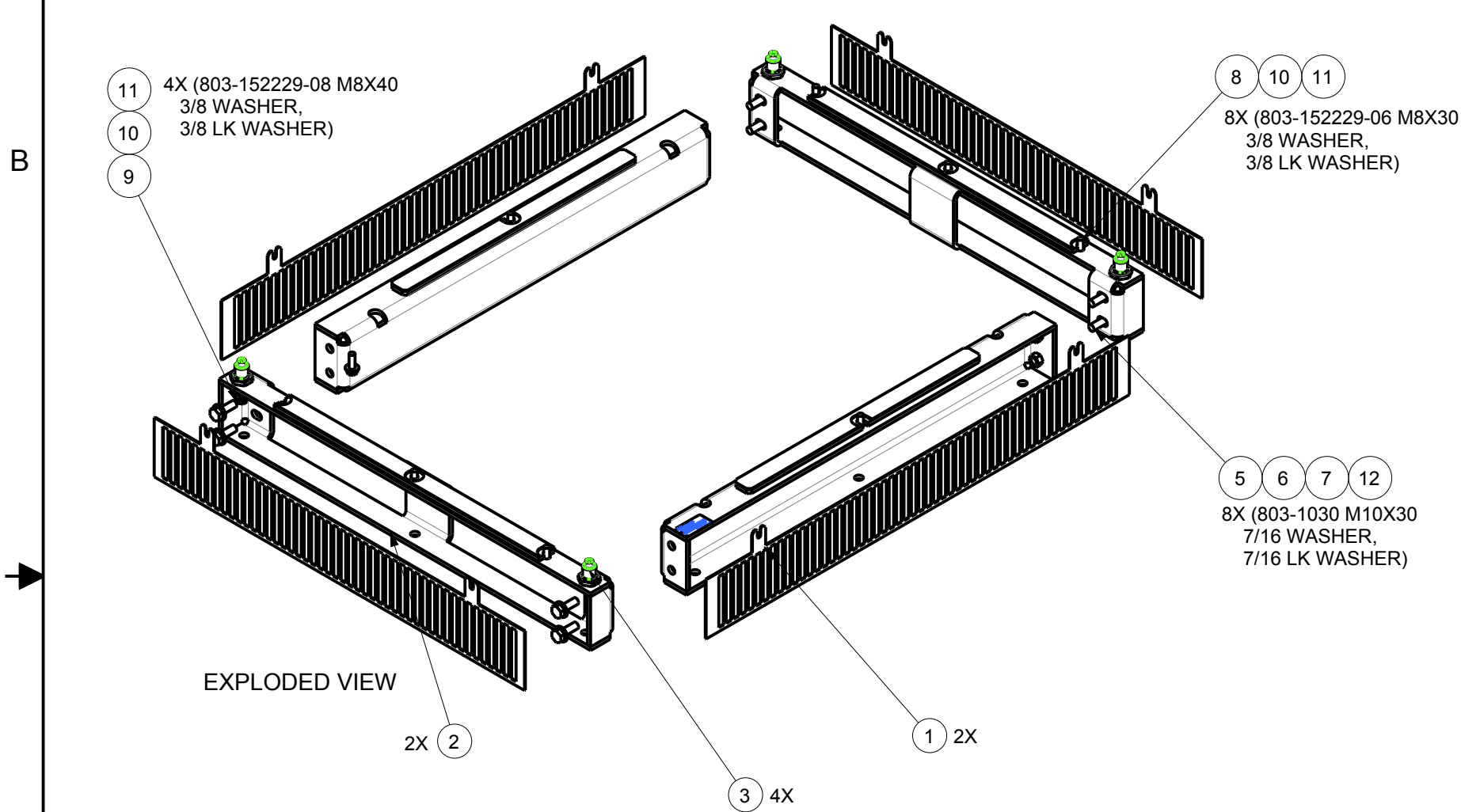


ALL TECHNICAL INFORMATION CONTAINED IN THIS DOCUMENT IS THE EXCLUSIVE PROPERTY OF SCHNEIDER ELECTRIC INDUSTRIES SAS AND MAY NEITHER BE USED NOR DISCLOSED WITHOUT ITS PRIOR WRITTEN CONSENT.

REVISIONS				
ZONE	REV	DESCRIPTION	DATE	APPROVED
	01	1ST PILOT RUN	01/16/13	JS



15	884-0106	TAG SEISMIC FOR MGE GALAXY SERIES	1
14	870-21398	KICKPLATE SIDE SEISMIC G5K	2
13	870-21397	KICKPLATE FRONT/BACK SEISMIC G5K	2
12	803-8502	NUT CAGE M8 ROHS	8
11	04-73330	WASHER SPLIT LOCK 3/8	12
10	04-73328	WASHER FLAT 3/8 USS	12
9	803-152229-08	SCREW M8X40MM HEX-HEAD	4
8	803-152229-06	SCREW M8X30MM HEX-HEAD FULLY-THREADED	8
7	04-73335	WASHER FLAT 7/16 SAE #	8
6	04-73339	WASHER BELLEVILLE 7/16 #	8
5	803-1030	SCREW M10X30MM HEX CAP 0059302 ROHS	8
4	870-17327	SEISMIC LATERAL BELT WITH OPENING	4
3	870-21247	ADAPTER FOR FRAME FIXATION	4
2	870-21246A	FRONT BASE EQUIPPED - SEISMIC SKID L=700	2
1	870-21245B	BASE SIDE EQUIPPED - SEISMIC SKID L=700	2

ITEM	PART NUMBER	DESCRIPTION	QTY
PARTS LIST			

0H-0736 SEISMIC KIT ASSEMBLY INSTRUCTION

1. REMOVE CORNER STAND/CASTERS AND ASSEMBLE (4) 870-21247 ADAPTER FEET TO 4 CORNERS OF FRAME.
2. ON THE GROUND, ALIGN (2) 870-21246A TO (2) 870-21245B WITH (8) 803-1030 (M10X30) BOLT, LK WASHER IN 8 PLACES. TIGHTEN LOOSELY.
3. ASSEMBLE THIS SEISMIC KIT TO FRAME AT 4 CORNERS UNDER 870-21247 WITH (4) 803-152229-08 (M8X40 HW). TIGHTEN LOOSLY
4. ASSEMBLE (8) M8X30 (BOLT, WASHER) FROM BRACKETS TO FRAME IN 8 MIDDLE PLACES. TIGHTEN LOOSELY
5. TIGHTEN ALL M8 AND M10 BOLTS TO FRAME HW PER SPECIFICATION.
6. REPLACING EXISITING FRONT/REAR AND SIDE KICKPLATES WITH SEISMIC ONES (870-21397&870-21398)
7. PUT ALL BRACKETS AND TAG CARD BOARD 884-0106 IN A BOX (TBD).
8. PUT THE BOX IN THE CABINET.

NOTES: UNLESS OTHERWISE SPECIFIED.

CONTRACT NO.				SCHNEIDER ELECTRIC INDUSTRIES SAS Critical Power & Cooling Services Division 1660 Scenic Avenue Costa Mesa, Ca. 92626 U.S.A.	
APPROVALS	DATE			KIT SEISMIC BRKT GALAXY 5000 UPS	
DRAWN	H NGUYEN 12/20/12				
CHECKED	C PARENTI 12/20/12				
MFG ENG	J SMITH 12/20/12				
ISSUED	E GUILLOT 12/20/12	SIZE	FSCM NO.	DWG. NO.	REV.
0H-0736.		B	9L985		0H-0736 01
		SCALE 0.125	0H-0736.		SHEET 1 OF 1