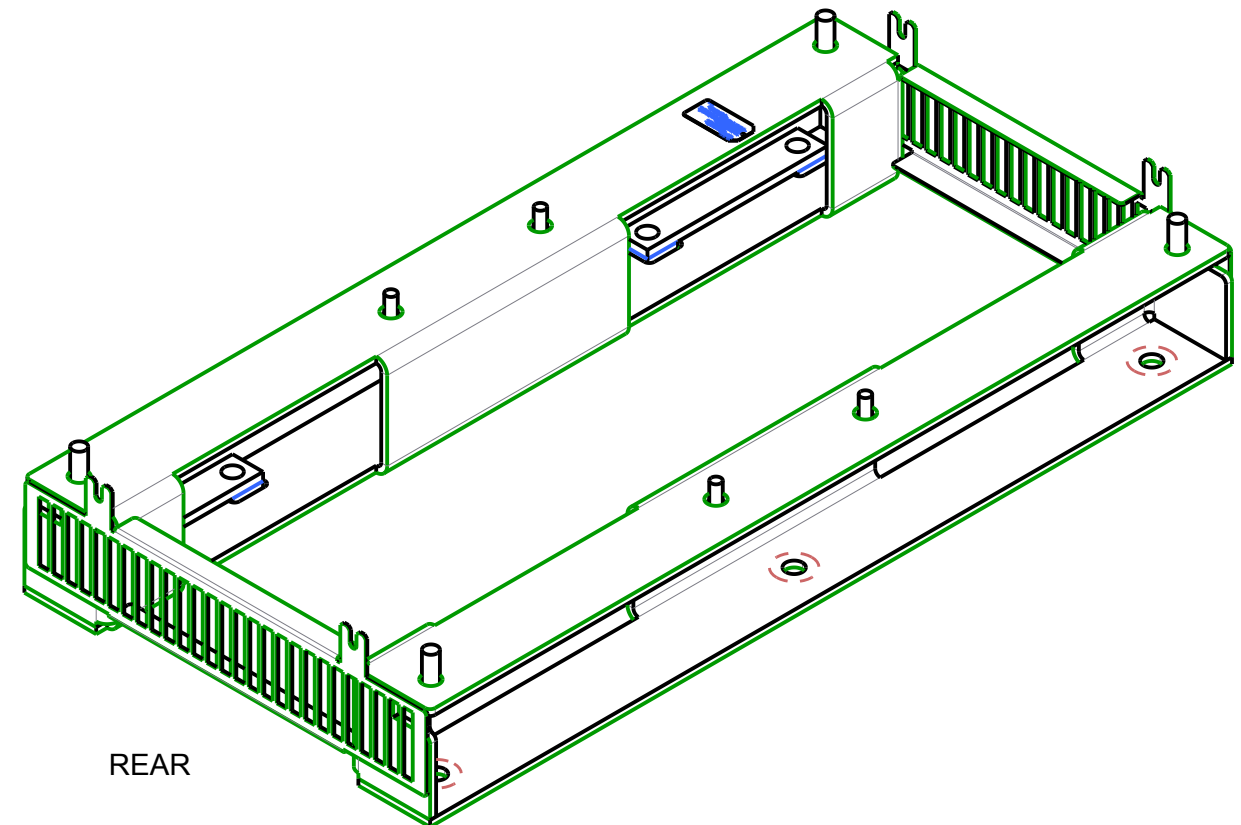
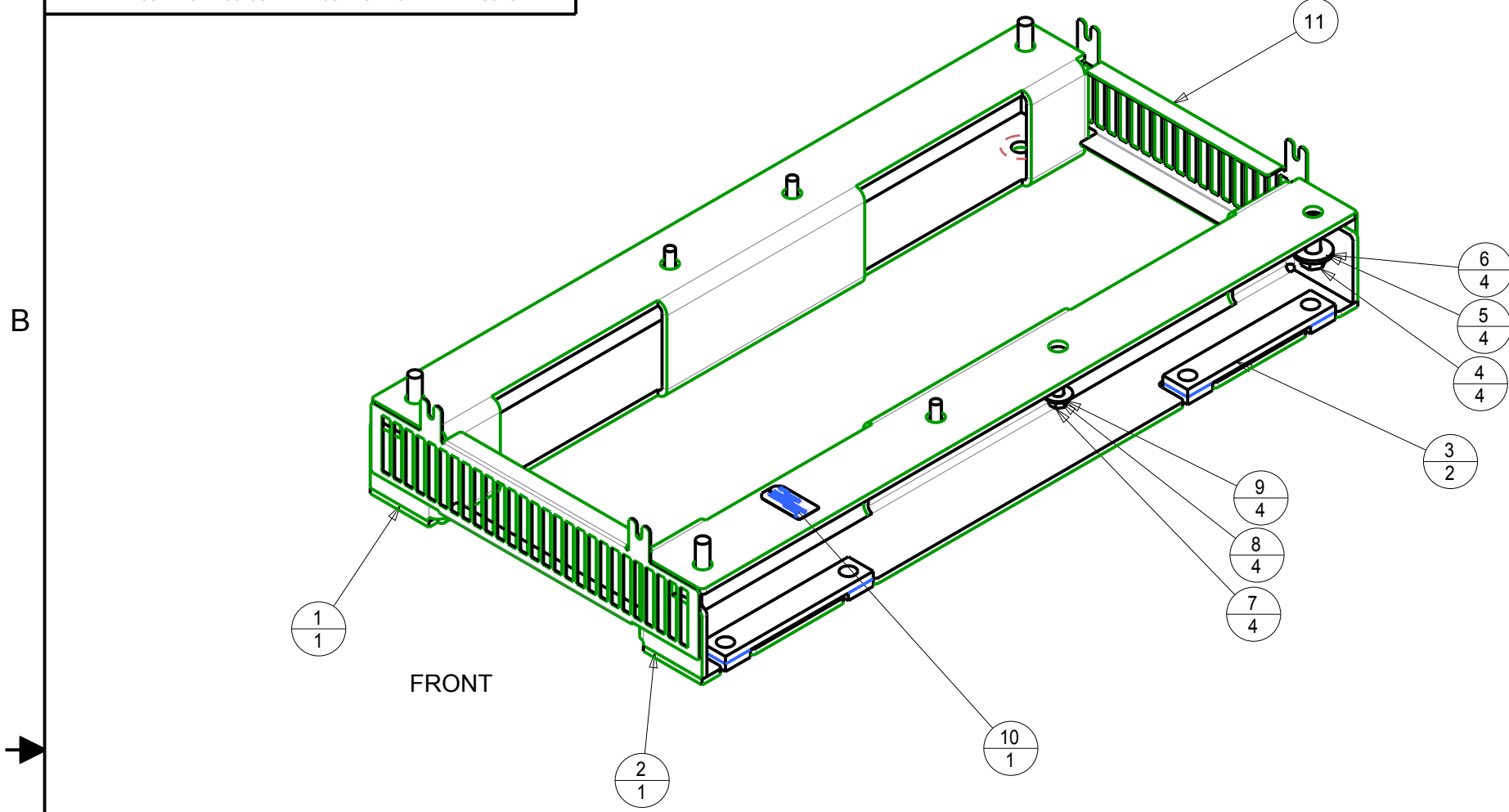


ALL TECHNICAL INFORMATION CONTAINED IN THIS DOCUMENT IS THE EXCLUSIVE PROPERTY OF SCHNEIDER ELECTRIC INDUSTRIES SAS AND MAY NEITHER BE USED NOR DISCLOSED WITHOUT ITS PRIOR WRITTEN CONSENT.

REVISIONS				
ZONE	REV	DESCRIPTION	DATE	APPROVED
	01	PILOT RUN	12/27/12	JS



**0H-0734 SEISMIC KIT ASSEMBLY INSTRUCTION**

1. ASSEMBLE 870-17331B TO FRAME WITH 1/2X1.5" BOLT, WASHER, LK WASHER IN 2 PL. (4) (5) TIGHTEN LOOSELY.
2. ASSEMBLE 870-23154 TO FRAME WITH 1/2X1.5" BOLT, WASHER, LK WASHER. TIGHTEN LOOSELY.
3. LOCATED (2) 870-23158 TO 870-23154 AS SHOWN.
4. ASSEMBLE THIS SEISMIC ASSEMBLY TO FRAME IN 4 MIDDLE WITH 3/8 HW (BOLT, LK WASHER AND WSHR). (7) (8) (9)
5. TIGHTEN ALL 1/2 AND 3/8 HW TO FRAME PER SPECIFICATION.
6. REPLACING EXISTING KICKPLATES WITH SEISMIC ONES (870-7117427900C).
7. PUT STRAPS (870-21358X2) AND TAG CARD BOARD 884-0106 IN A BOX (TBD).
8. PUT THE BOX IN THE CABINET.

NOTES: UNLESS OTHERWISE SPECIFIED.

11	870-711742900	KICKPLATE FRONT/REAR GRAY 16W	2
10	884-0106		1
9	04-73328	WASHER FLAT 3/8 USS	4
8	04-73330	WASHER SPLIT LOCK 3/8	4
7	04-73522	SCREW MACH 3/8-16X1.00 HH CS	4
6	04-73340	WASHER FLAT 1/2 USS	4
5	04-73342	WASHER SPLIT LOCK 1/2	4
4	04-73512	BOLT .50-13 X.1.5 HH CS GD5	4
3	870-23158	BRACKET STRAP SEISMIC STS	2
2	870-23154	SEISMIC BRACKET WITH STRAP ASSY-G5K DIST	1
1	870-17331	SEISMIC BRACKET WITH STRAP ASSY-G5K DIST	1

ITEM	PART NUMBER	DESCRIPTION	QTY
PARTS LIST			

CONTRACT NO.		 SCHNEIDER ELECTRIC INDUSTRIES SAS Critical Power & Cooling Services Division 1660 Scenic Avenue Costa Mesa, Ca. 92626 U.S.A.	
APPROVALS	DATE		
DRAWN	H NGUYEN	12/20/12	<b>SEISMIC BRKT GALAXY 5000 AUX 14 IN</b>
CHECKED	C PARENTI	12/20/12	
MFG ENG	J SMITH	12/20/12	
ISSUED	E GUILLOT	12/20/12	
OH-0736.	SCALE 0.188	OH-0734.	SIZE B FSCM NO. 9L985 DWG. NO. 0H-0734 REV. 01
SHEET 1 OF 1			