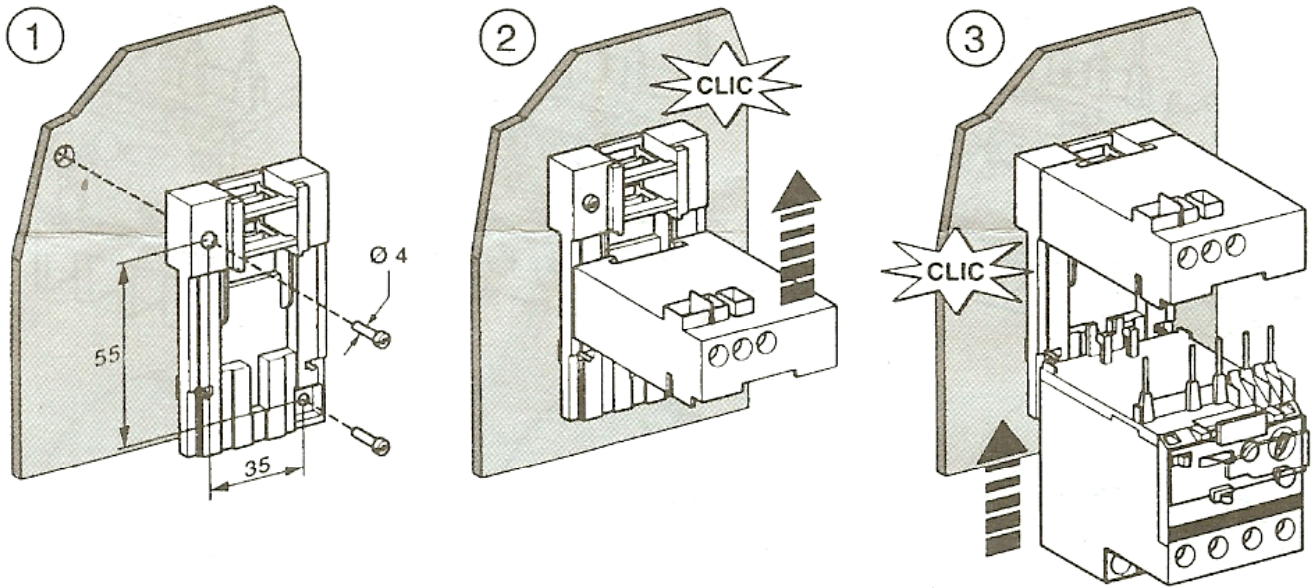
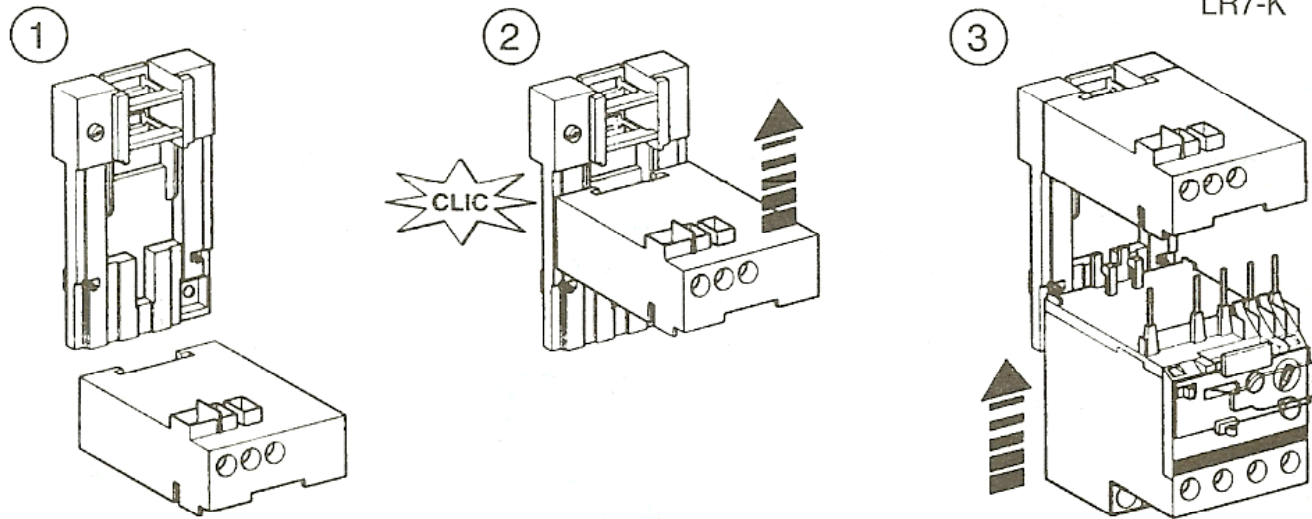


Panel mounting

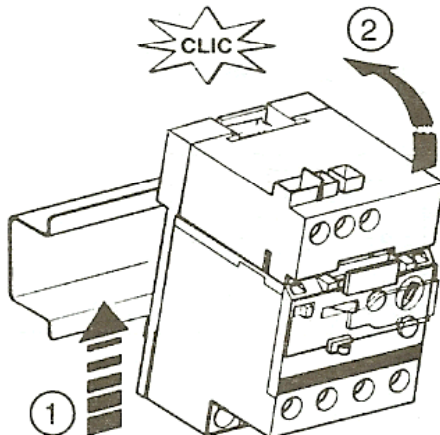


Rail mounting

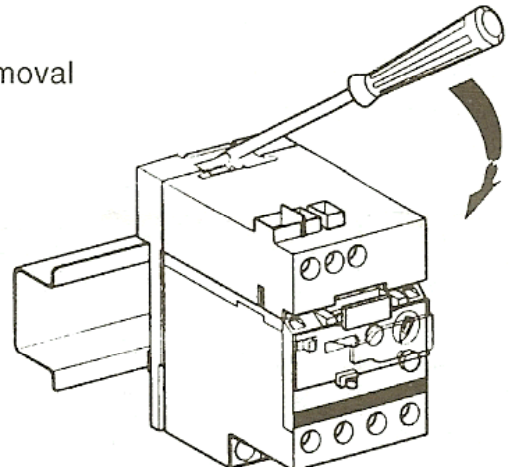
LR2-K
LR7-K



Installation

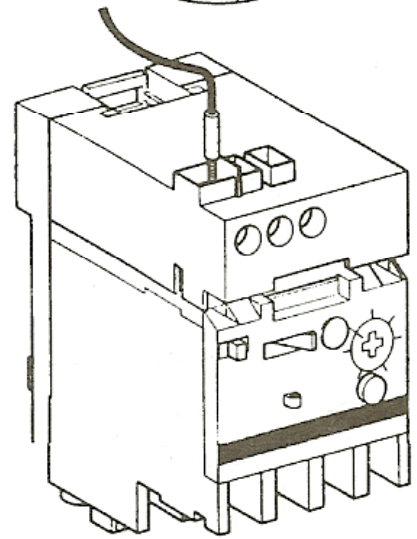
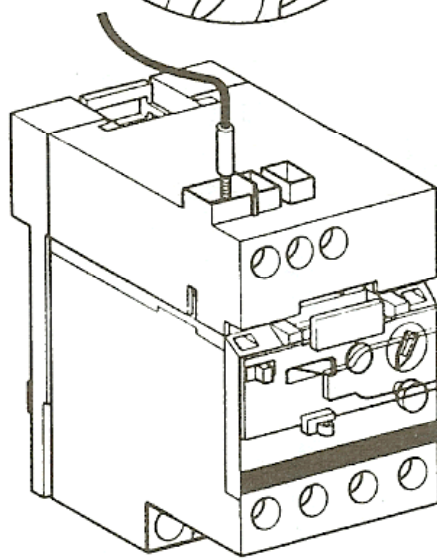
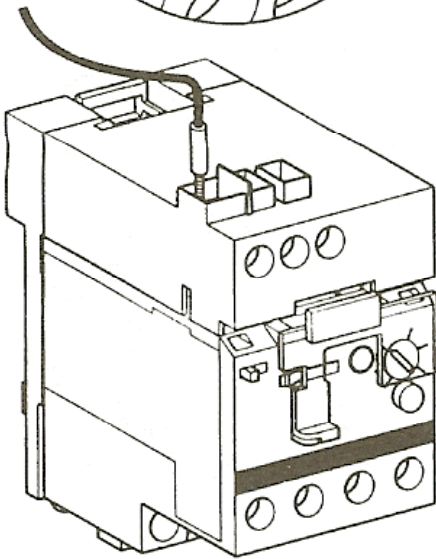
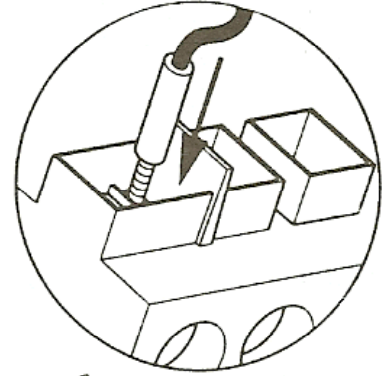
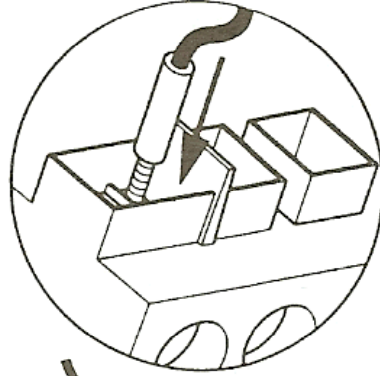
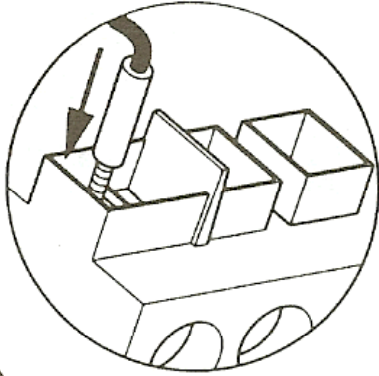
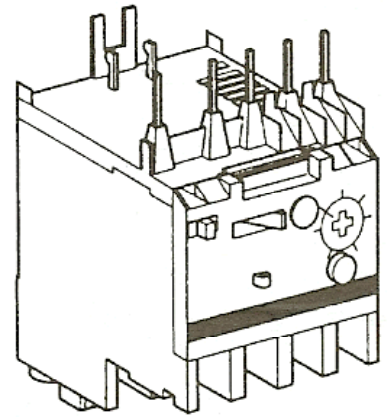
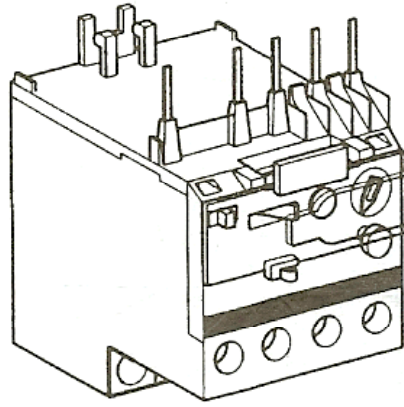
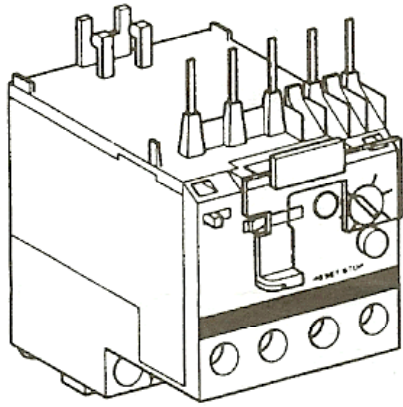


Removal

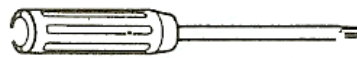


LR2-K

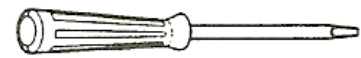
LR7-K









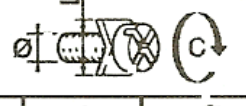
Wiring min ... max



Philips N° 2



Ø 6

								
[mm ²]	[mm ²]	[mm ²]	[mm ²]	[mm ²]	[mm ²]	C [N.m]	L [mm]	Ø [mm]
0,34 ... 2,5	0,34...1,5 +	0,75 ·	0,75...4 +	1,5 ·	1,5...4 +	0,8	7	3
	0,34...1,5	4	0,75...4	4	1,5...4			

AWG 12 = 3,31 mm²
AWG 14 = 2,08 mm²

AWG 16 = 1,31 mm²
AWG 18 = 0,82 mm²

AWG 20 = 0,52 mm²