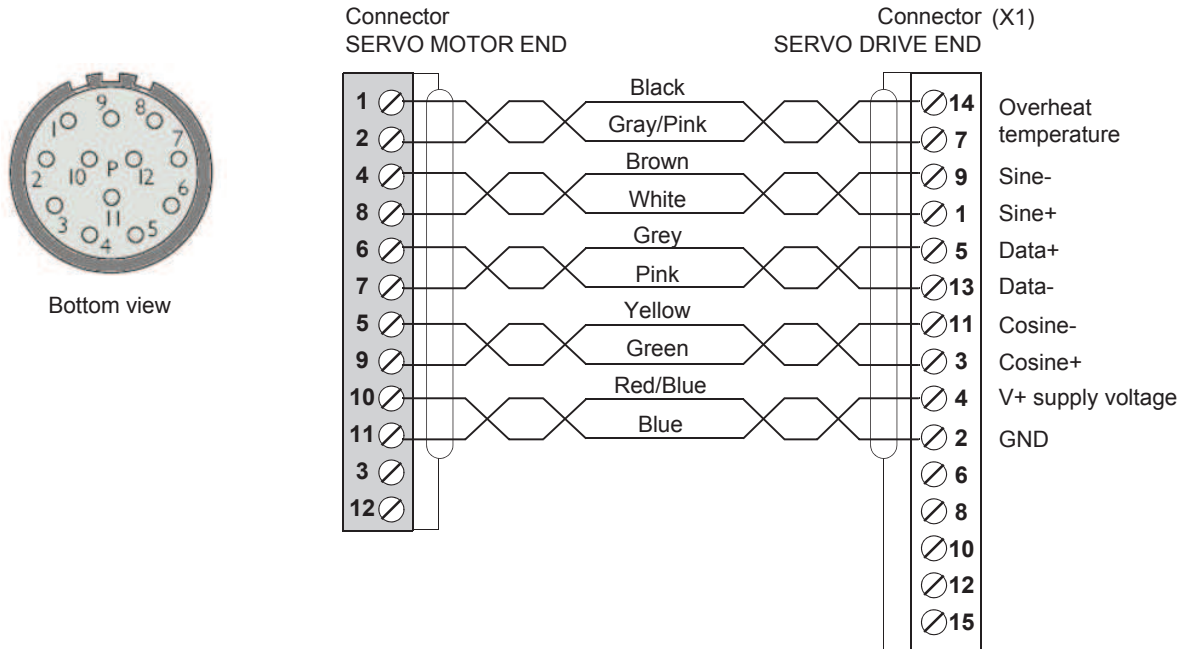


Encoder connection

Servo motor encoder connection

The following diagram shows the encoder input connections between the encoder and the Lexium 15 MP servo drive.



Note: The servo motors can be optionally fitted with a single-turn or multi-turn sine-cosine encoder, which is used by the Lexium 15 MP positioning or extremely smooth running. In addition, the thermistor contact in the servo motor is connected via the encoder cable to the Lexium 15 MP servo drive.

Encoder Input Specifications Table

The following table provides Lexium 15 MP encoder input specifications

ENCODER INPUT			
Internal power supply	Voltage	7 V... 12 V RMS	
	Current (maximum)	60 mA	
Input Signal	Sin-Cos encoder (cyclic absolute)	Absolute accuracy	± 5.3 arc minutes
		Resolution	± 1.3 arc minutes
	Sin-Cos encoder (multi-turn absolute)	Turn counter	12 bits
		Absolute accuracy within one turn	± 5.3 arc minutes
	Resolution within one turn	± 1.3 arc minutes	