

Section 7—Dimensions

UL 489/CSA C22.2 No. 5 Listed C60 Circuit Breakers

Figure 46: UL 489/CSA C22.2 No.5 Listed C60 240 Vac Circuit Breaker with Box Lug Terminals

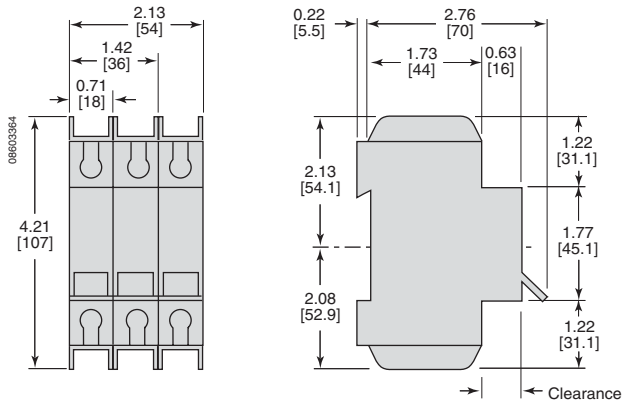


Figure 47: UL 489/CSA C22.2 No.5 Listed C60 240 Vac Circuit Breaker with Ring Tongue Terminals

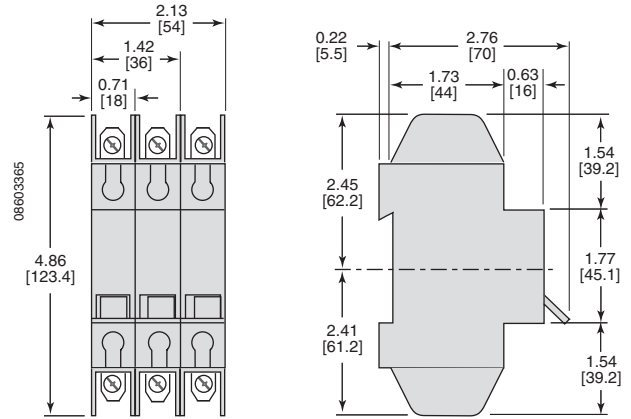
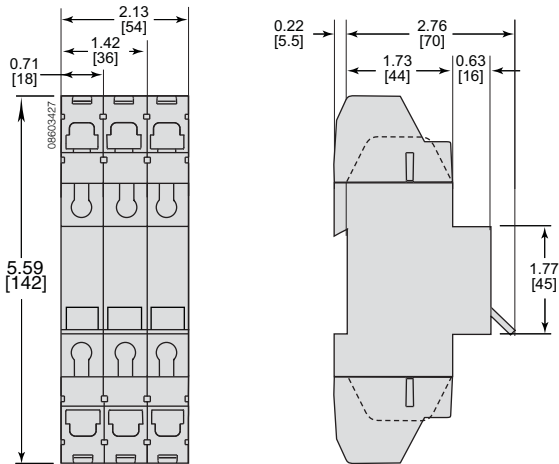
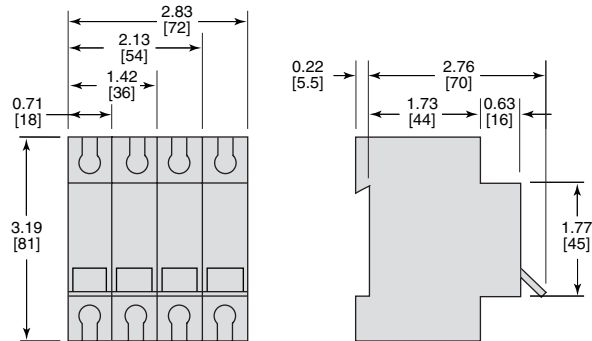


Figure 48: UL 489/CSA C22.2 No.5 C60 480 Vac and 240 Vac Circuit Breaker with Fingersafe Shields



UL 1077 Supplementary Protectors

Figure 49: C60 UL 1077 Supplementary Protectors



IEC Rated Circuit Breakers

Figure 50: IEC DPN-N Circuit Breaker

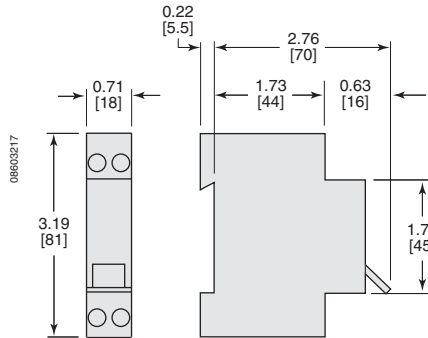


Figure 51: C60 IEC Circuit Breakers

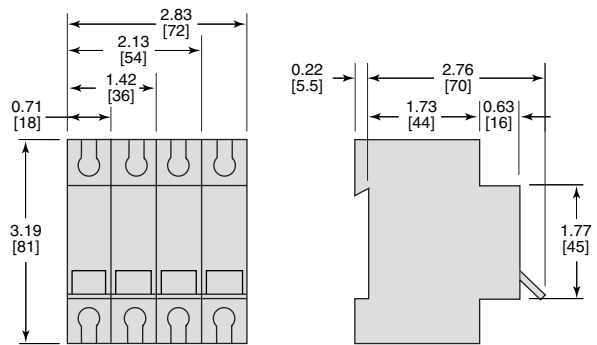
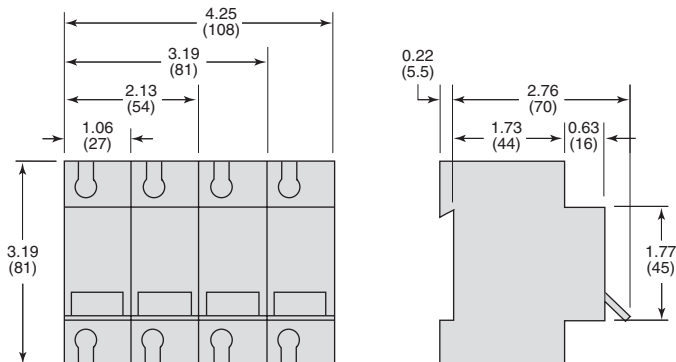


Figure 52: C120 IEC Circuit Breaker



Dimensions: .in.
[mm]

UL and IEC Rated Ground-Fault Products

Figure 53: UL GFP Ground-Fault Protector and IEC ID Residual Current Switch

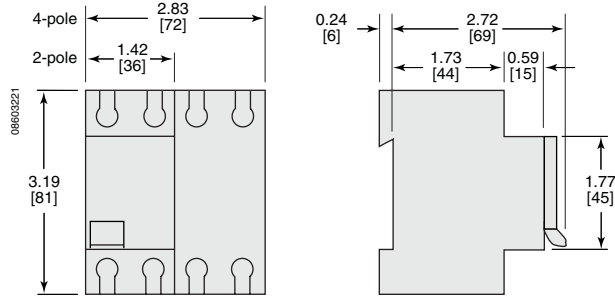


Figure 54: IEC Vigi Ground-Fault Module for C60 Devices

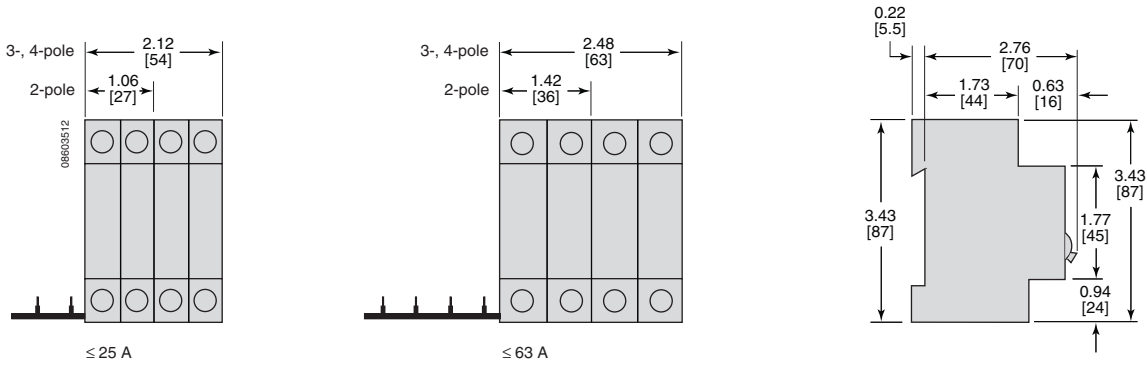
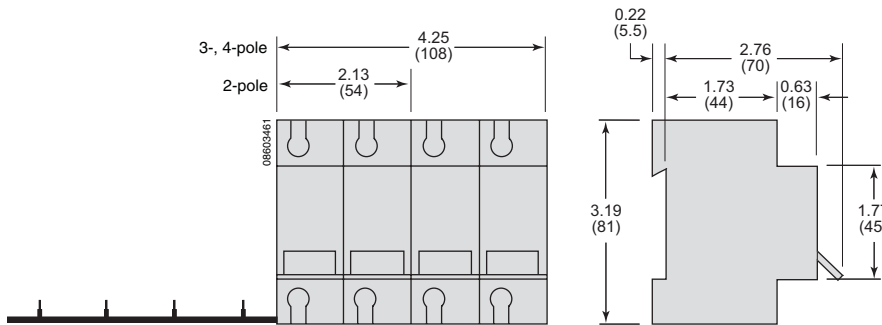


Figure 55: IEC Vigi Ground-Fault Module for C120 Devices



Dimensions: .in.
[mm]

Accessory Dimensions

Figure 56: OF Auxiliary Switch, SD Alarm Switch, MN Undervoltage Release and MX + OF Shunt Trip with Auxiliary Switch for C60 and C120

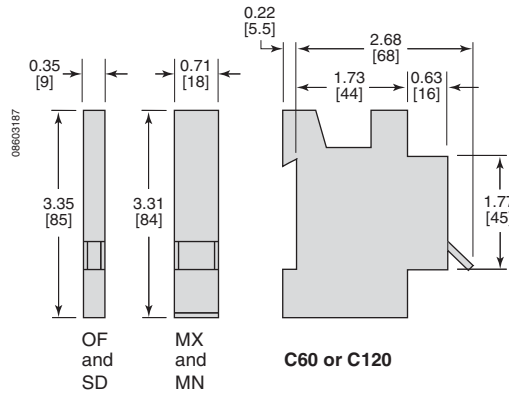


Figure 57: OFS Auxiliary Switch and Adapter for GFP Ground-Fault Protector and ID Residual Current Switch

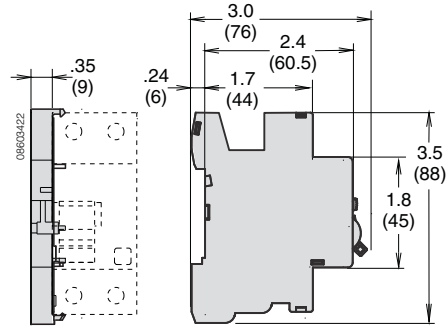


Figure 58: TM Motor Operator for C60 Devices

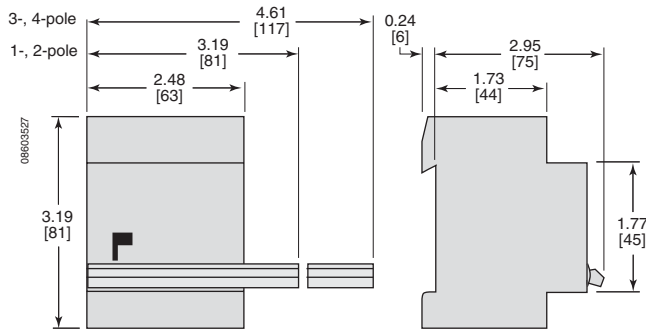


Figure 59: Spacer for C60 and C120 Devices

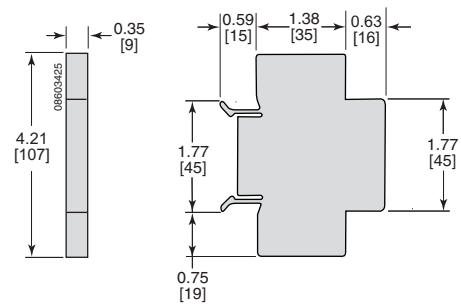


Figure 60: Interphase Barriers for C60 Devices

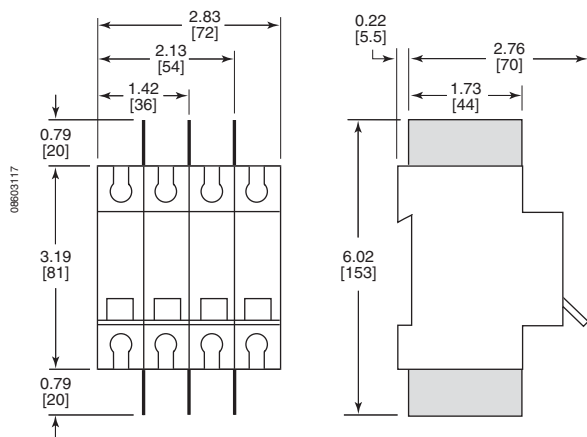
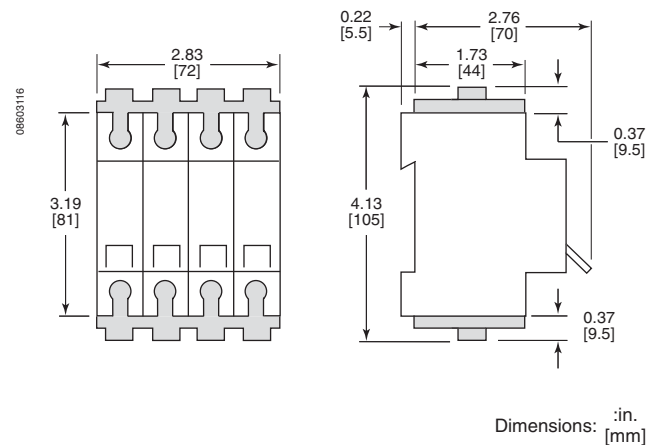


Figure 61: Terminal Screw Shield for UL 489A, UL 1077 and IEC C60 Devices



Dimensions: :in. [mm]

Multi 9™ System Catalog

Section 7—Dimensions

Figure 62: Plug-In Base for UL 489A, UL 1077 and IEC C60 Devices

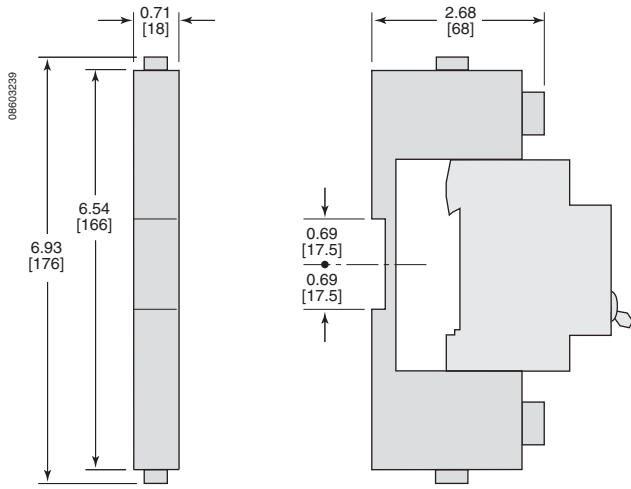


Figure 63: Terminal Cover for UL 489A, UL 1077 and IEC C60 Devices

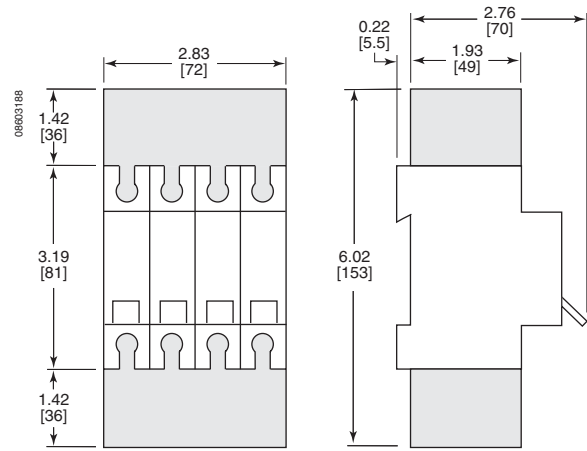
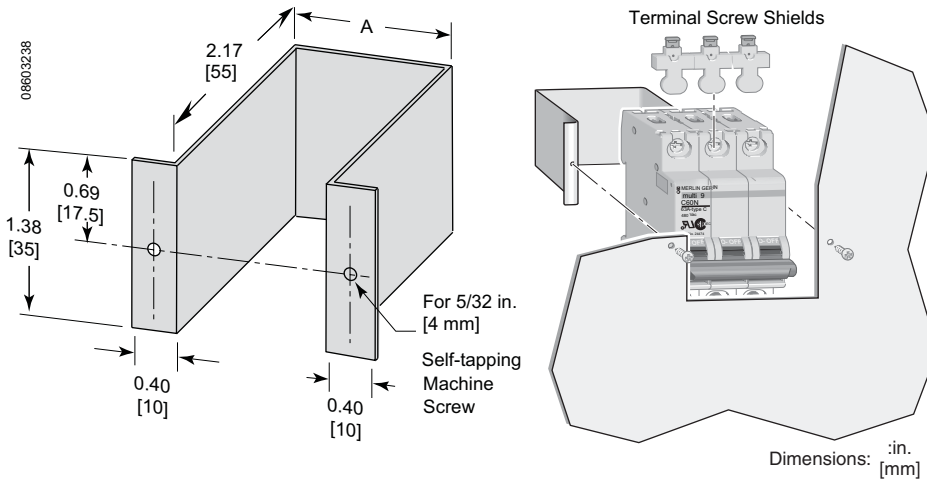


Figure 64: Front Mounting Bracket Kit



Dimension A

No. of Poles	in.	mm	Catalog No.
Bracket for C60 (18 mm/pole)			
1	0.75	19	MG26983
2	1.46	37	MG26984
3	2.32	55	MG26985
4	2.87	73	MG26989
Bracket for C120 (27 mm/pole)			
1	1.10	28	MG26986
2	2.16	55	MG26987
3	3.23	82	MG26988
4	4.29	109	MG26990

Figure 65: Rotary Handle for C60 Devices

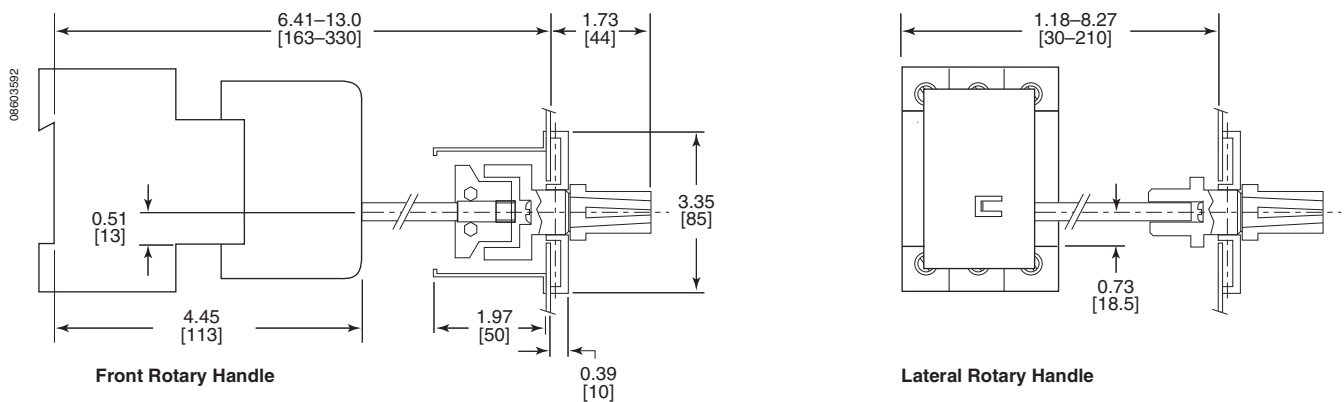


Figure 66: Comb Bus Bar Dimensions

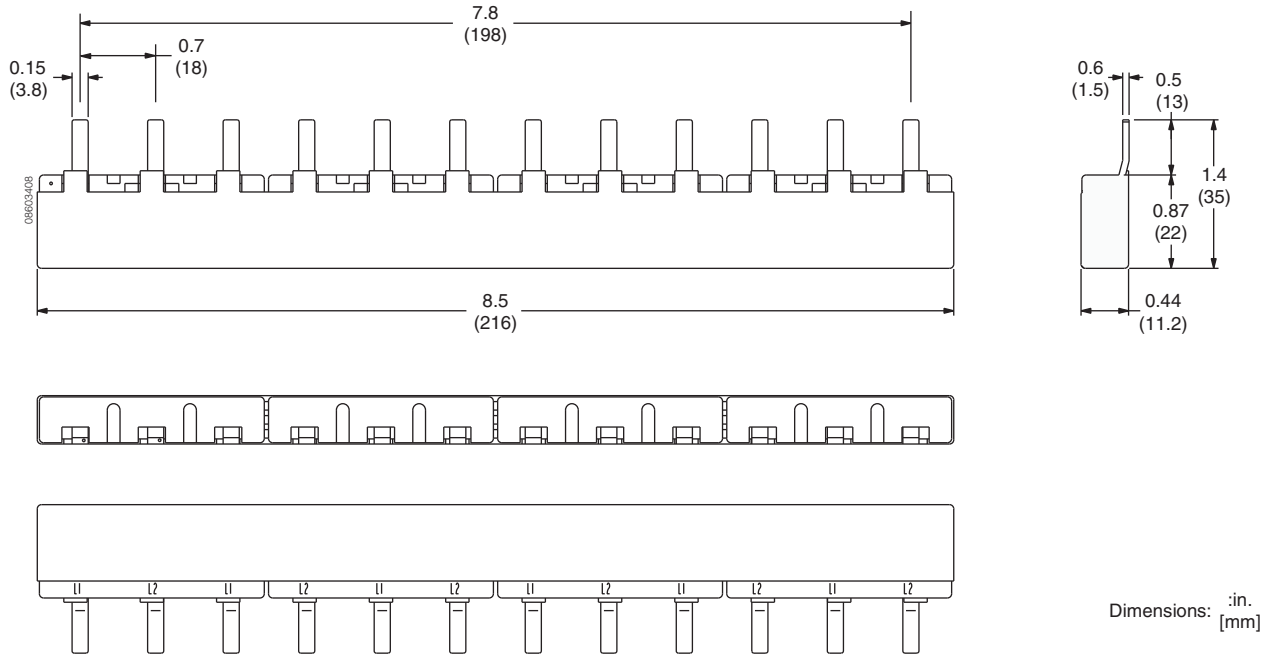
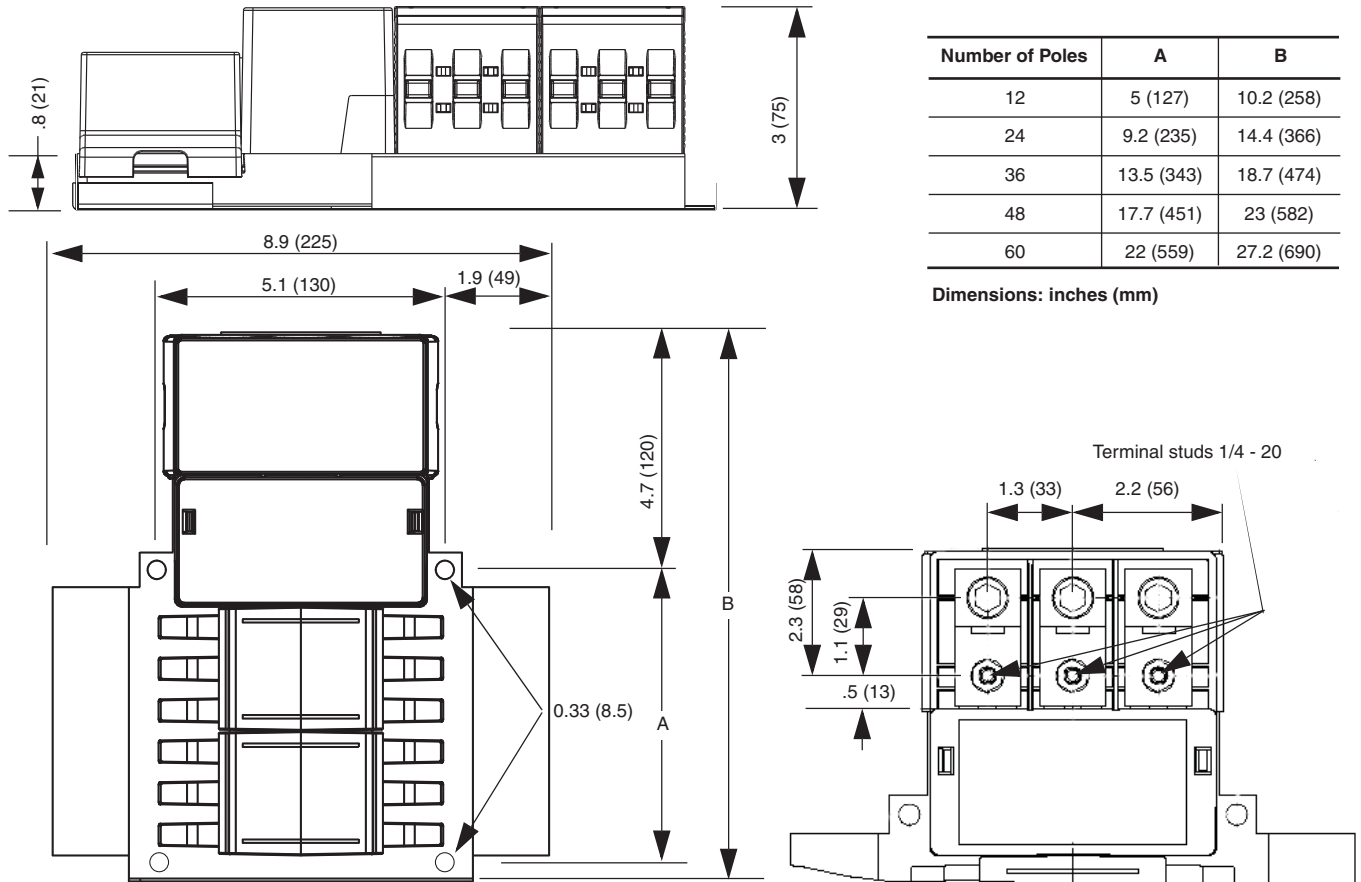


Figure 67: Multi 9 UL C60 Mounting Base



Multi 9™ System Catalog

Section 7—Dimensions

Figure 68: IEC MSC Chassis for C60 Devices

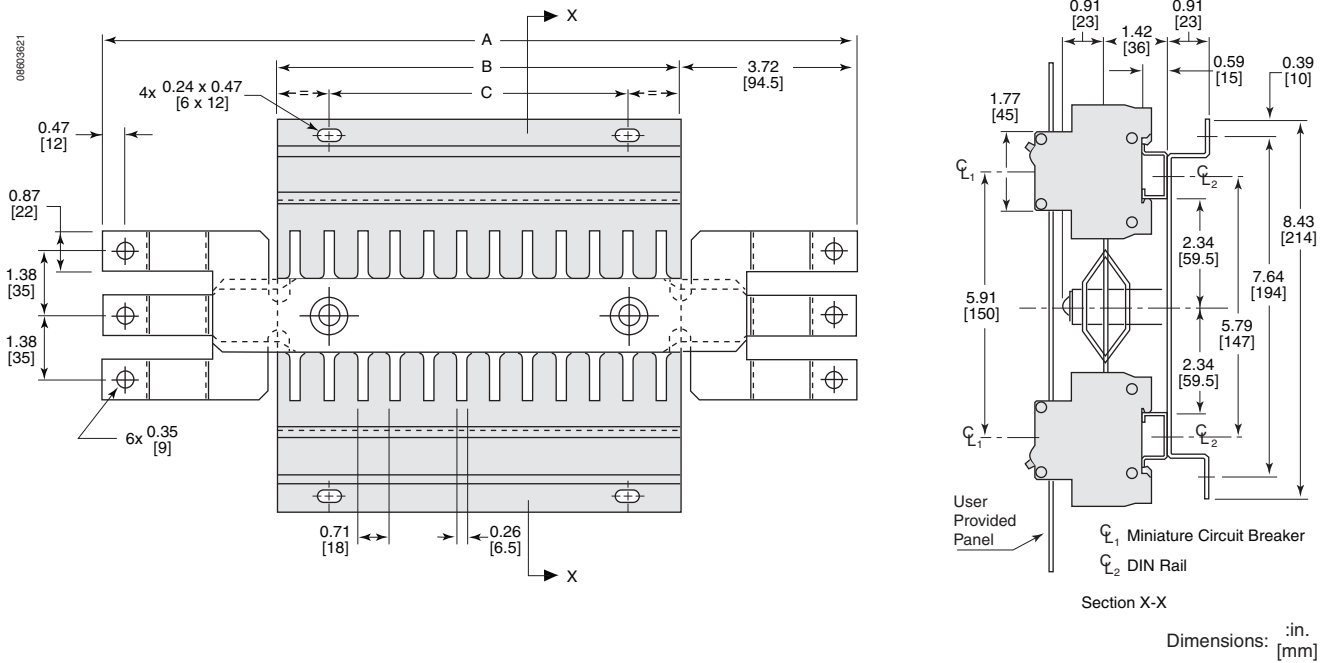


Table 74: MSC Chassis for C60 Devices

Type	Number of Poles	Dimensions					
		A ¹		B		C	
		in.	mm	in.	mm	in.	mm
MSC DC (for C60 2 pole)	12	11.7	299	4.33	110	2.13	54
	16	13.2	335	5.75	146	3.54	90
	20	14.6	371	7.17	182	4.57	116
MSC 18 (for C60 3 pole)	12	11.7	299	4.33	110	15.9	405
	18	13.9	353	6.46	164	8.58	218
	24	15.9	405	8.58	218	6.38	162
MSC 27 (for C120 3 pole)	12	17.0	432	9.57	162	4.25	108
	18	21.7	551	14.35	243	7.44	189
	24	26.5	673	19.13	324	10.63	270

¹ For TF suffix (top feed only), reduce length by 3.72 in. (94.5 mm).

Figure 69: Multi-Pole Front Mounting Kit for C60 Devices

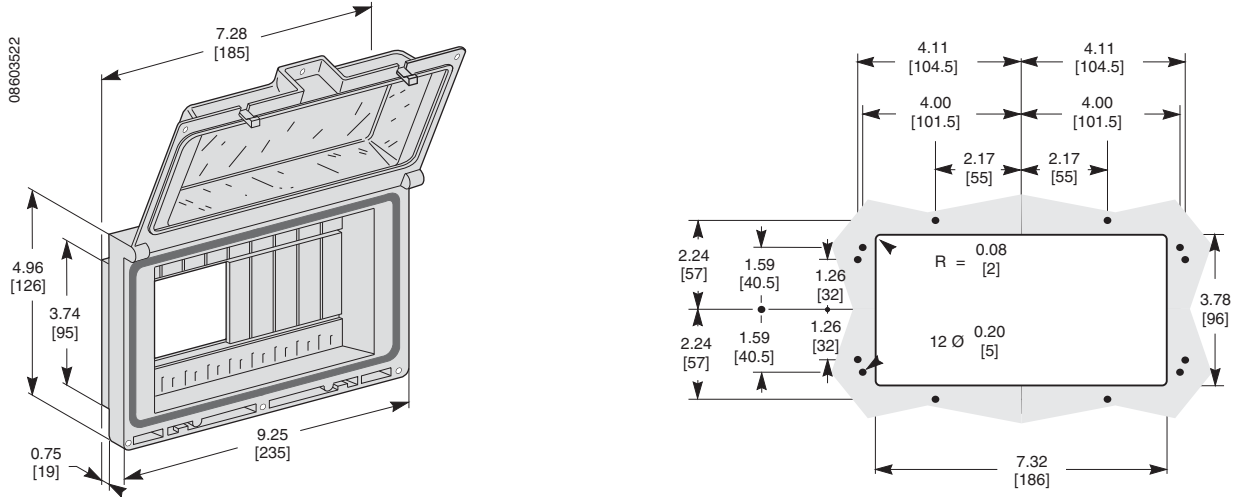


Figure 70: Bracket for Front Mounting Kit

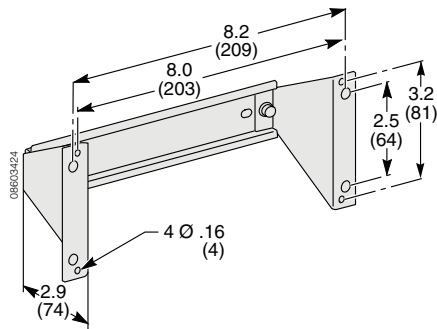
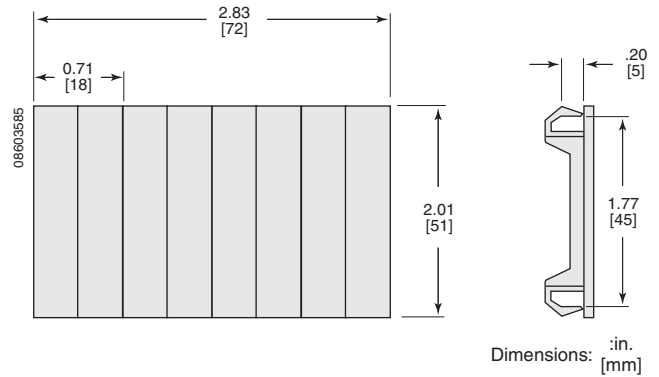
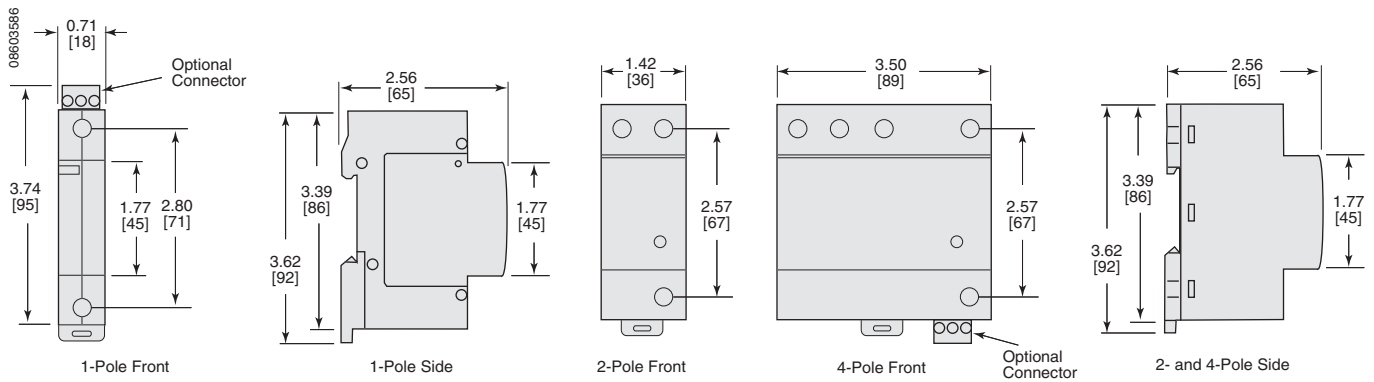


Figure 71: M9PF4 Pole Filler



Dimensions: :in.
[mm]

Figure 72: SPD Surge Protectors



Multi 9™ System Catalog

Section 7—Dimensions

Figure 73: CM Switches

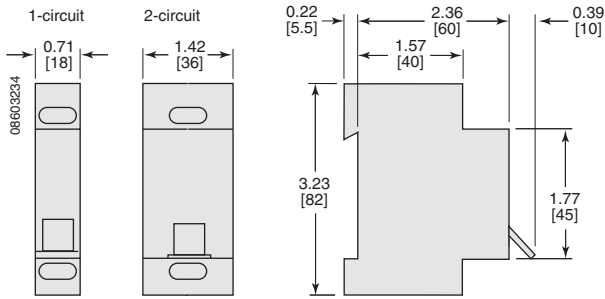


Figure 74: I Switch (20–32 A)

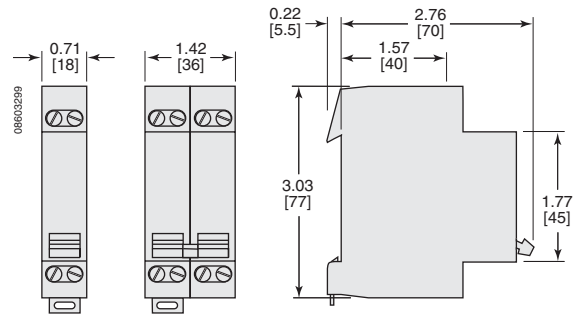


Figure 75: I Switch (40–125 A)

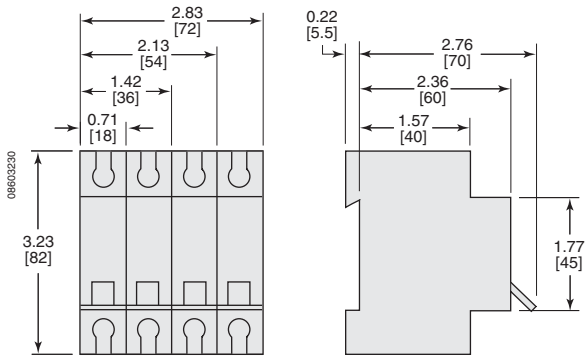
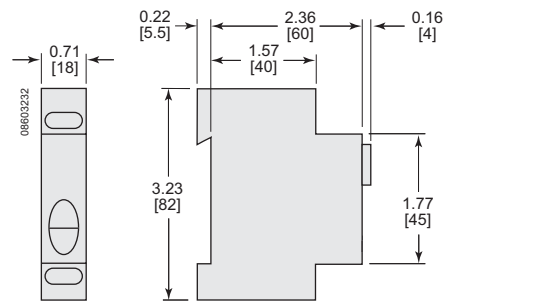


Figure 76: V Signal Lamps



Dimensions: :in.
[mm]

Figure 77: BP Push Buttons

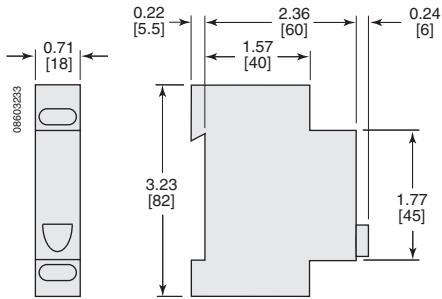


Figure 78: CH Hour Counter

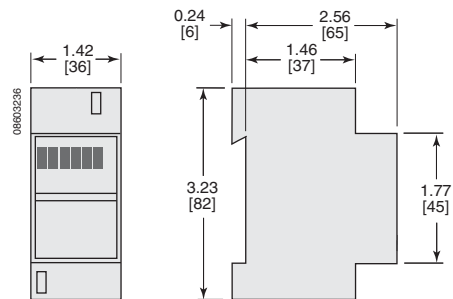
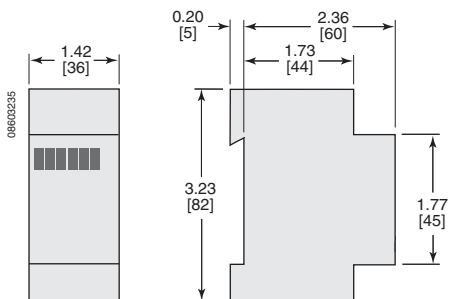


Figure 79: CI Impulse Counter



Kaetra Weatherproof Mini-Enclosure Dimensions

Table 75: Kaetra Weatherproof Mini-Enclosure Dimensions

No. of Modules	L		H		Weight		Cat. No.
	in	mm	in	mm	lbs	grams	
3	3.1	80	5.9	150	0.66	300	13956
4	4.8	123	7.9	200	0.99	450	13957
6	6.3	159	7.9	200	1.32	600	13958
8	7.7	195	7.9	200	1.76	800	13959
12	10.5	267	7.9	200	1.98	900	13960

Figure 80: Kaetra Weatherproof Mini-Enclosures

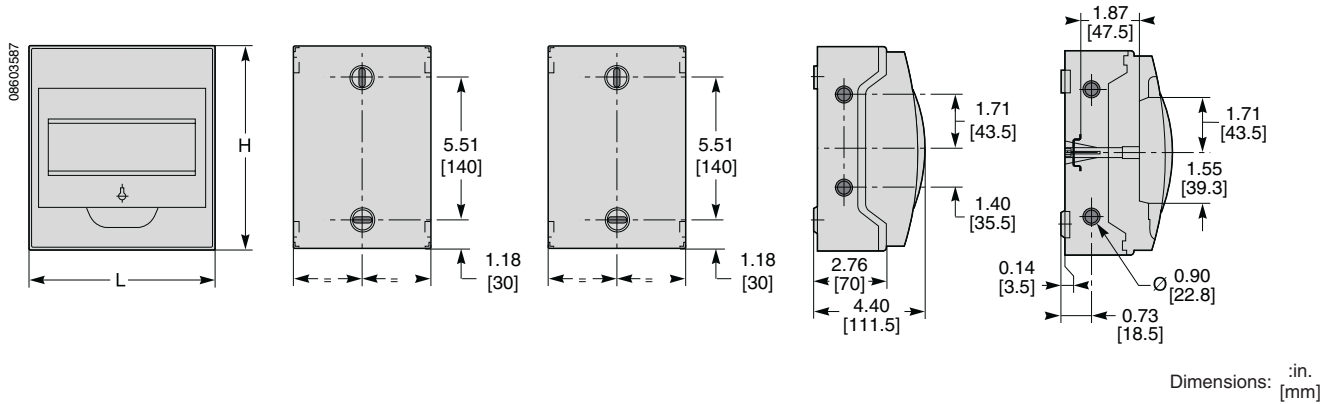
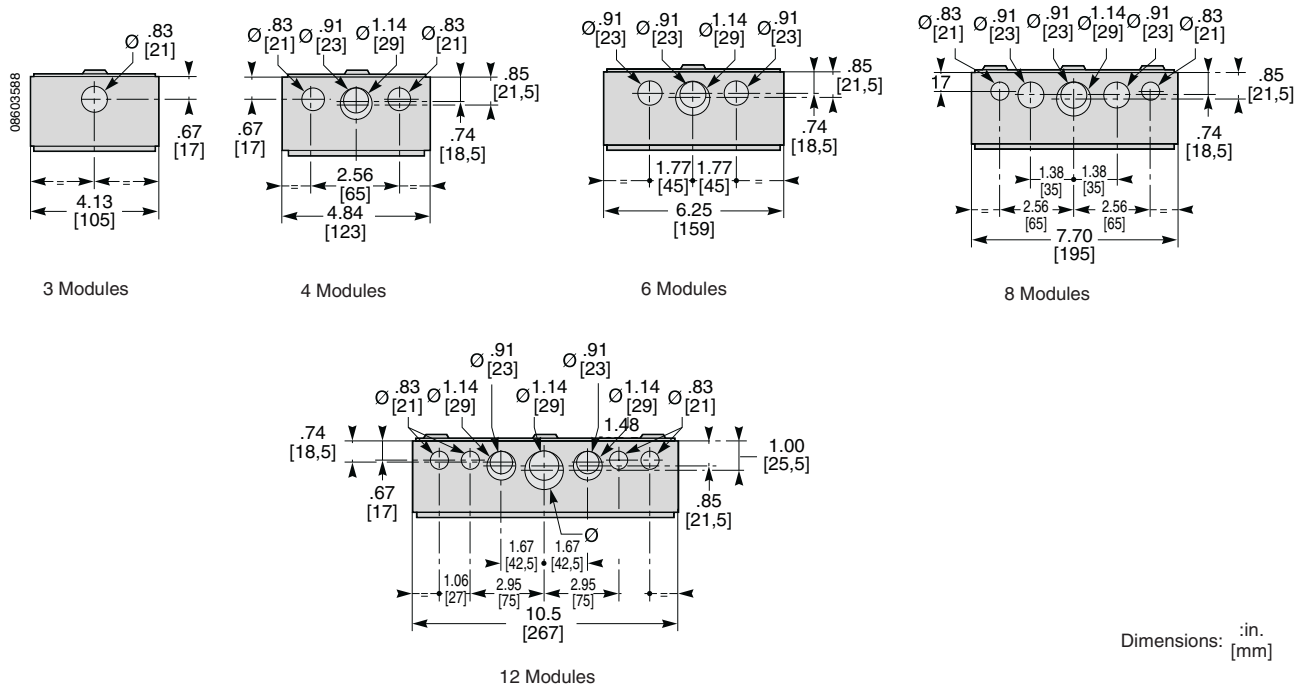


Figure 81: Top View for Kaetra Weatherproof Type Mini Enclosures



Kaedra Weatherproof Enclosures

Table 76: Kaedra Weatherproof Enclosure Dimensions (12 Module)

A		B		C		Weight		Cat. No.
in	mm	in	mm	in	mm	lbs	grams	
11.02	280	4.65	118	3.19	81	4.19	1900	13962
18.11	460	9.88	251	4.15	104.5	7.28	3300	13964
24.02	610	15.79	401	4.15	104.5	9.04	4100	13968

Figure 82: Kaedra Weatherproof Type Enclosures (12 Module)

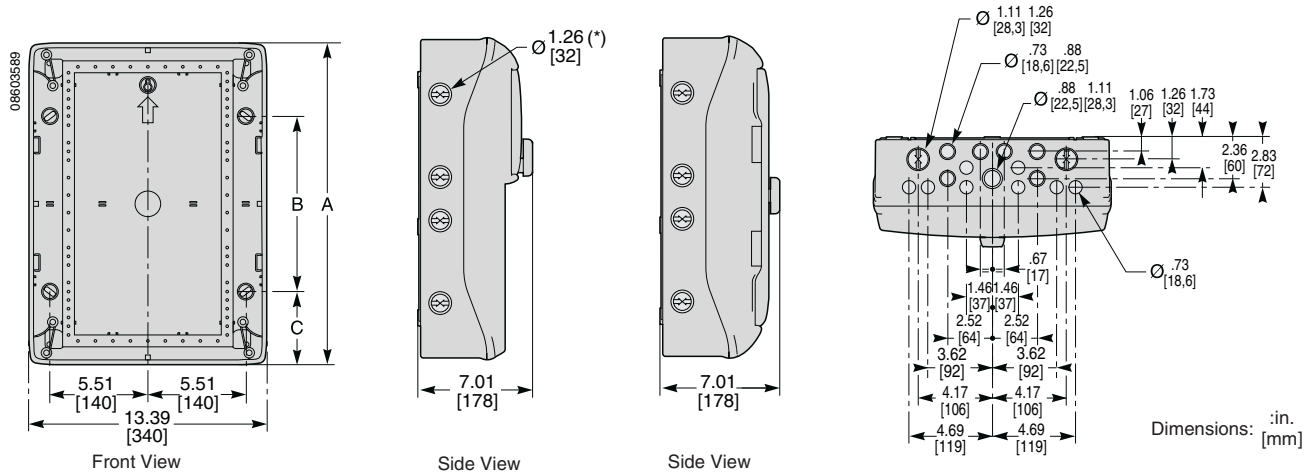


Table 77: Kaedra Weatherproof Enclosure Dimensions (18 Module)

A		B		C		Weight		Cat. No.
in	mm	in	mm	in	mm	lbs	grams	
11.02	280	4.65	118	3.19	81	5.29	2400	13963
18.11	460	9.88	251	4.15	104.5	9.04	4100	13965
24.02	610	15.79	401	4.15	104.5	12.35	5600	13967
33.15	842	24.92	633	4.15	104.5	14.55	6600	13968

Figure 83: Kaedra Weatherproof Type Enclosures (18 Module)

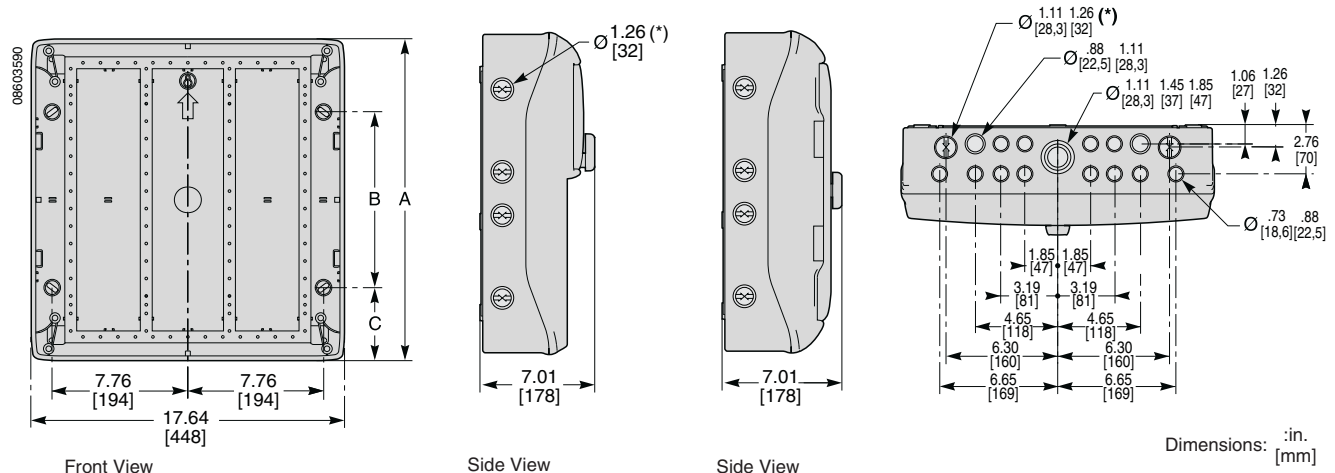


Table 78: Kaedra Cable Glands for Weatherproof Enclosures

Cable Size		Drilling Diameter		Thread Diameter	Pre-Punchout	Cat. No.
in	mm	in	mm	mm	mm	
0.354–0.433	9–11	0.740	18.8	18.6	PG 11	83992
0.354–0.472	9–12	0.815	20.7	20.4	PG 13.5	83993
0.394–0.512	10–13	0.898	22.8	22.5	PG 16	83994
0.551–0.669	14–17	1.125	28.6	28.3	PG 21	83995
0.748–1.024	19–26	1.472	37.4	37	PG 29	83996
1.102–1.417	28–36	1.870	47.5	47	PG 36	83997

Figure 84: Kaedra Horizontal Side-by-Side Interconnection References

