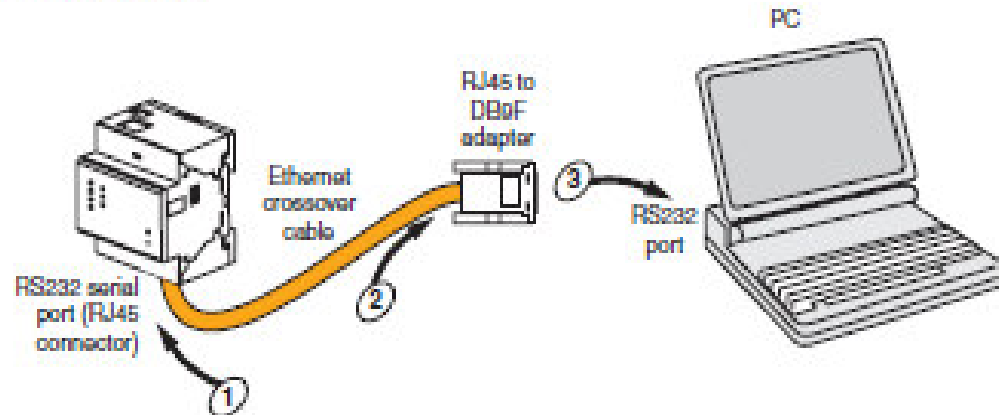


Ethernet Setup Using HyperTerminal

(Please do not apply power supply to EGX100 until step 7)

1. Connect **TCSEAK0100** between EGX100 and PC as below: (see below).

Serial Installation



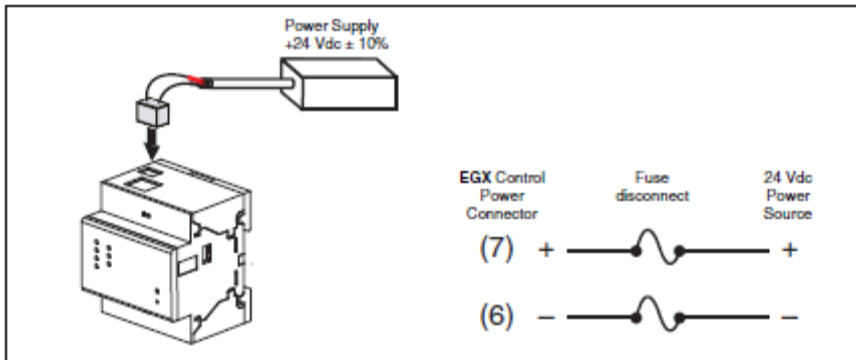
Note: the adapter RJ-45 / DB-9 and the crossed cable Ethernet is supplied in the kit of configuration TCSEAK0100 [sold separately].

Included below is the link to TCSEAK0100:

[http://www.global-download.schneider-electric.com/85257578007E5C8A/all/41BE67F23478F05F8825757800657EDB/\\$File/63230-319-205.pdf](http://www.global-download.schneider-electric.com/85257578007E5C8A/all/41BE67F23478F05F8825757800657EDB/$File/63230-319-205.pdf)

2. Click Windows **Start > Run**, then type *hypertrm*.
3. In the **Name** text box, type a name for the new connection (for example, *EGX100 config*), then click OK;
4. In the **Connect using** drop-down list box, select the computer COM port you will be using (normally COM 1 for serial port unless it has been changed), then click OK;
5. Set the COM properties as follows: Bits per second = 19200, Data bits = 8, Parity = None, Stop bits = 1, and Flow control = None;
6. Click OK;
7. Start the EGX Setup Utility;
 - a. Cycle power or press the reset button on the EGX (see “Control Power Wiring”).

24Vdc Control Power



b. While the green Power/Status LED blinks rapidly, press Enter on the computer keyboard to access the setup utility. See Table below for a description of the setup options.

NOTE: The Power/Status LED stops blinking after 5 seconds. By pressing “Enter” button on the computer keyboard within five seconds to access the EGX setup utility;

Table 2: EGX Setup Utility Options

Option	Description	Setting
1	Used to select the language for the current HyperTerminal session.	English, French, Spanish, German Default: English
2	Used to select the format for data sent over an Ethernet connection.	Ethernet II, 802.3 SNAP Default: Ethernet II
3	Used to enter the static IP address of the EGX. <i>NOTE: If you enter an IP address that is already in use, you will be prompted to select a different IP address.</i>	0.0.0.0 to 255.255.255.255 Default: 169.254.0.10
4	Used to enter the subnet mask of your network.	0.0.0.0 to 255.255.255.255 Default: 255.255.0.0
5	Used to enter the default gateway (router) IP address used for wide area network (WAN) communications.	0.0.0.0 to 255.255.255.255 Default: 0.0.0.0
6	Used to define the physical Ethernet connection.	<ul style="list-style-type: none"> • 10T/100Tx Auto • 10BaseT-HD • 10BaseT-FD • 100BaseTx-HD • 100BaseTx-FD Default: 10T/100Tx Auto
7	Saves the settings and exits the setup utility.	—

For example:

```
EGX300 BL - HyperTerminal
File Edit View Call Transfer Help
*****
*                               SETUP UTILITY                               *
*****
* Model Number:      EGX300      *
* Firmware Version:  3.700      *
* Serial Number:     53000343   *
* MAC Address:       00:80:67:81:3A:2A *
*                               *
* (c) 2005-2008 Schneider Electric. All Rights Reserved. *
*****

Choose an option:

  1 = Change Language (English)
  2 = Change Frame Format (Ethernet II)
  3 = Change IP Address Acquisition Mode (Static)
  4 = Change IP Address (10.168.68.26)
  5 = Change Subnet Mask (255.255.0.0)
  6 = Change Gateway Address (10.168.64.1)
  7 = Change Media Type (10T/100T Auto)
  8 = Reset Ethernet Settings to Factory Defaults
  9 = Quit

Connected 0:01:12  Auto detect  19200 8-N-1  SCROLL  CAPS  NUM  Capture  Print echo
```

The current IP Address can be viewed at option 4, and it is also possible to change it to whatever you want to.