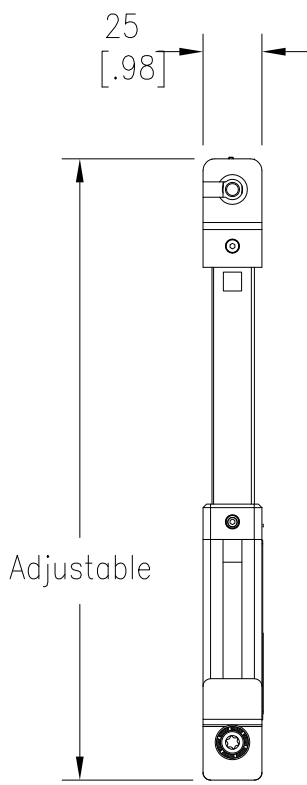
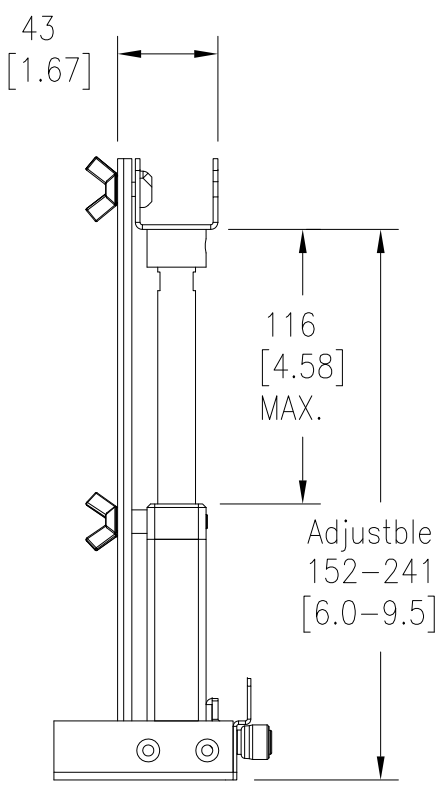


TYPICAL ARRANGEMENT- ADJUSTABLE MOUNTING SUPPORT

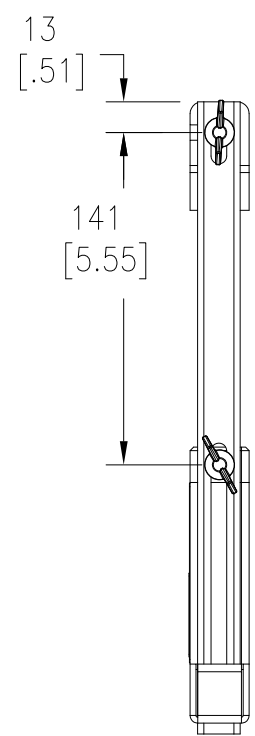
ACDC2200-2201



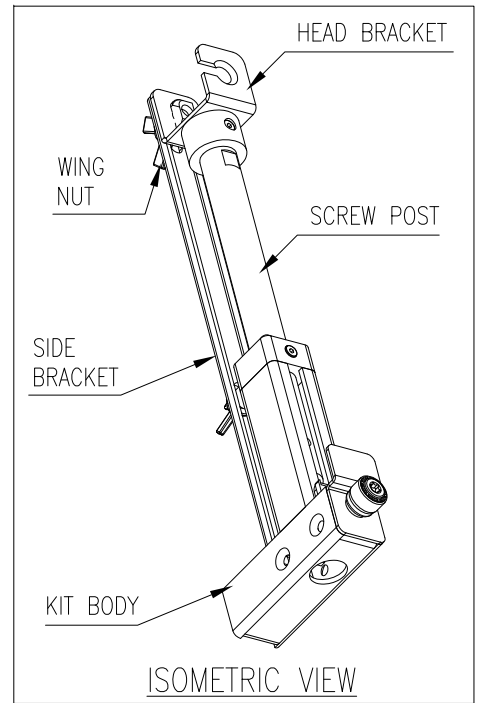
FRONT VIEW



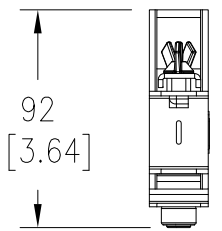
LEFT SIDE VIEW



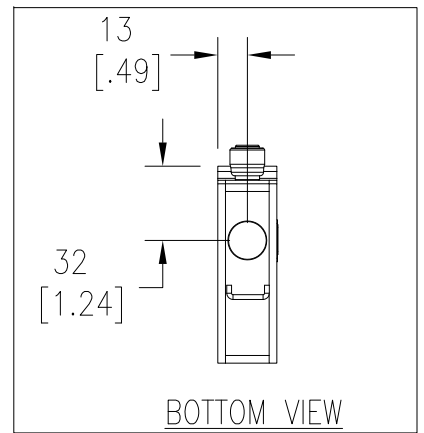
REAR VIEW



ISOMETRIC VIEW



TOP VIEW



BOTTOM VIEW



Adjustable Mounting Kit Details

SKU	Description	Weight, kg (lbs)
ACDC2200	Adjustable Mtg Kit 152-241mm(6-9.5in)	5.50 (12.01)
ACDC2201	Adjustable Mtg Kit 152-241mm(6-9.5in) V0	6.40 (14.08)

NOTES:

1. COMPLY WITH ALL APPLICABLE NATIONAL AND LOCAL ELECTRICAL REGULATIONS.
2. REFER TO PRODUCT DOCUMENTATION FOR ADDITIONAL DETAILS PRIOR TO INSTALLATION AND SITE PREPARATION WORK.
3. ALL DIMENSIONS ARE IN MILLIMETERS [INCHES].
4. NET WEIGHT OF UNIT-REFER TO TABLE.
5. TYPICAL ARRANGEMENT SHOWN FOR ACDC2200/2201.

THIS DRAWING AND SPECIFICATIONS HEREIN ARE THE PROPERTY OF SCHNEIDER ELECTRIC AND SHALL NOT BE COPIED, REPRODUCED OR USED IN WHOLE OR IN PART, AS THE BASIS FOR THE MANUFACTURE OR SALE OF ITEMS WITHOUT WRITTEN PERMISSION FROM SCHNEIDER ELECTRIC. THIS DRAWING IS BASED UPON LATEST AVAILABLE INFORMATION AND IS SUBJECT TO CHANGE WITHOUT NOTICE.



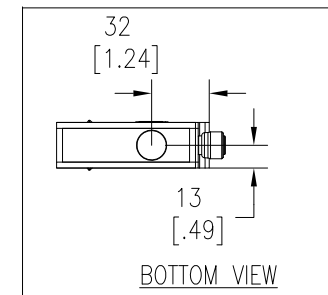
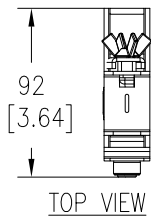
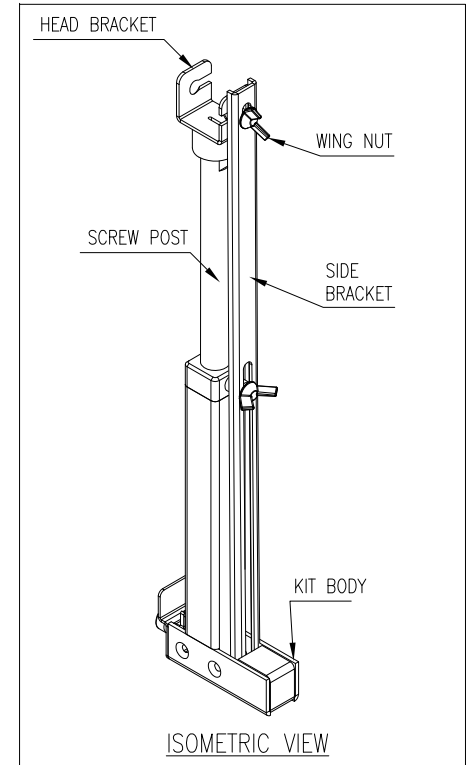
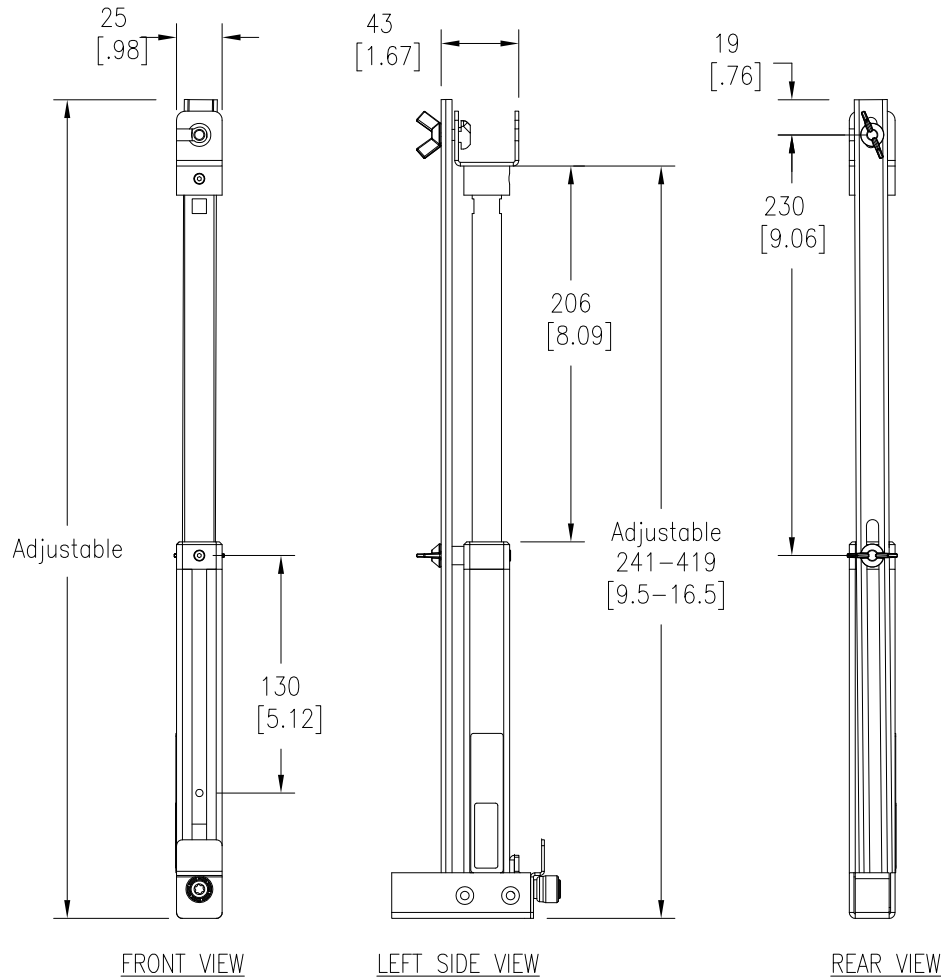
TITLE:
Eco-Aisle (TM) Aisle Containment System
ADJUSTABLE MOUNTING SUPPORT
ASSEMBLY ACDC2200-2201

PROJECT: SUBMITTAL DRAWINGS SHEET 1 OF 2

DWG NO:	ACDC2200-2203	REV.	0
DRAWN BY:	K.NAGENDRA	02-JUL-13	FIRST
ENGINEER:	RUSTIN SHI/MARK MENG	02-JUL-13	ANGLE
APPROVED BY:	AARON GRAFF	02-JUL-13	PROJ

TYPICAL ARRANGEMENT- ADJUSTABLE MOUNTING SUPPORT

ACDC2202-2203



Adjustable Mounting Kit Details

SKU	Description	Weight, kg (lbs)
ACDC2202	Adjustable Mtg Kit 241-419mm(9.5-16.5in)	7.20 (15.84)
ACDC2203	Adjustable Mtg Kit 241-419mm(9.5-16.5in) V0	8.80 (19.36)



NOTES:

1. COMPLY WITH ALL APPLICABLE NATIONAL AND LOCAL ELECTRICAL REGULATIONS.
2. REFER TO PRODUCT DOCUMENTATION FOR ADDITIONAL DETAILS PRIOR TO INSTALLATION AND SITE PREPARATION WORK.
3. ALL DIMENSIONS ARE IN MILLIMETERS [INCHES].
4. NET WEIGHT OF UNIT-REFER TO TABLE
5. TYPICAL ARRANGEMENT SHOWN FOR ACDC2202/ACDC2203.

THIS DRAWING AND SPECIFICATIONS HEREIN ARE THE PROPERTY OF SCHNEIDER ELECTRIC AND SHALL NOT BE COPIED, REPRODUCED OR USED IN WHOLE OR IN PART, AS THE BASIS FOR THE MANUFACTURE OR SALE OF ITEMS WITHOUT WRITTEN PERMISSION FROM SCHNEIDER ELECTRIC. THIS DRAWING IS BASED UPON LATEST AVAILABLE INFORMATION AND IS SUBJECT TO CHANGE WITHOUT NOTICE.



TITLE:
Eco-Aisle (TM) Aisle Containment System
ADJUSTABLE MOUNTING SUPPORT
ASSEMBLY ACDC2202-2203

PROJECT: SUBMITTAL DRAWINGS SHEET 2 OF 2

DWG NO: ACDC2200-2203 REV. 0

DRAWN BY: K.NAGENDRA	02-JUL-13	FIRST
ENGINEER: JUSTIN SHI/MARK MENG	02-JUL-13	ANGLE
APPROVED BY: AARON GRAFF	02-JUL-13	PROJ