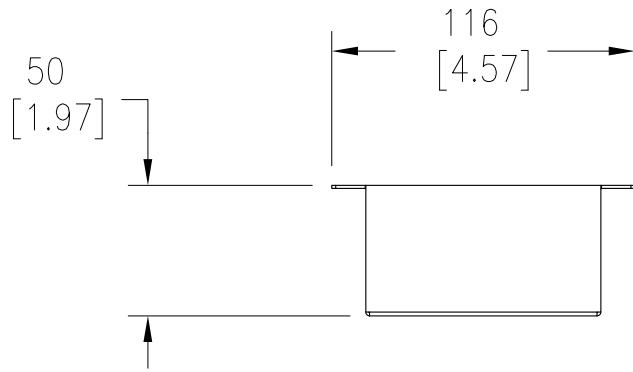
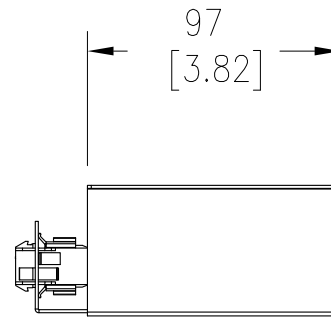


CEILING PANEL LOCK SYSTEM (W/O POWER)

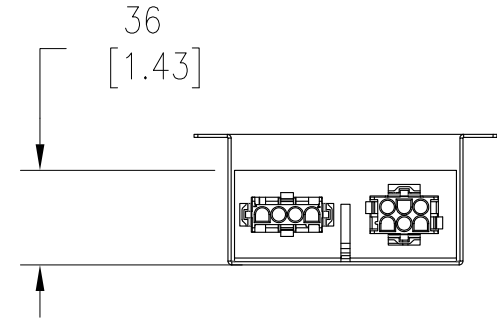
ASSEMBLY WIRING COVER BOX ACS



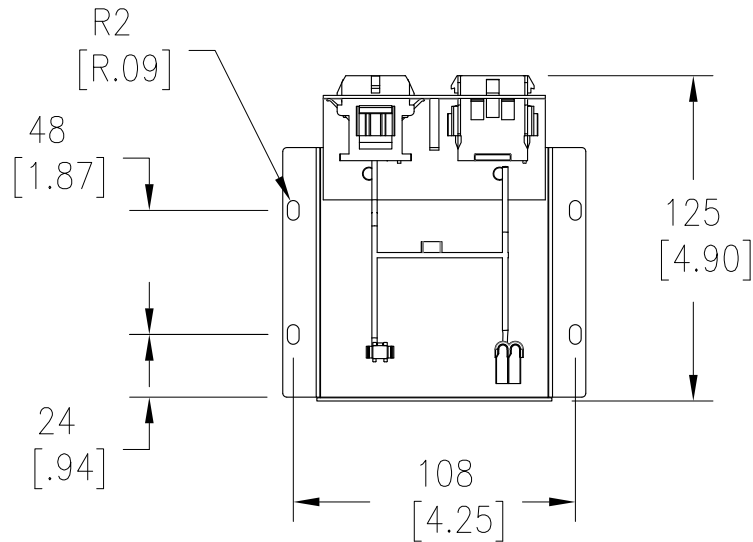
FRONT VIEW



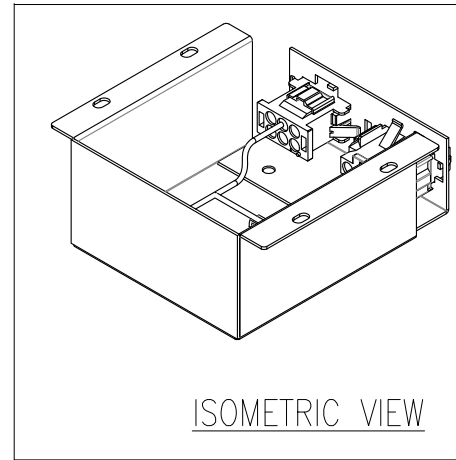
LEFT SIDE VIEW



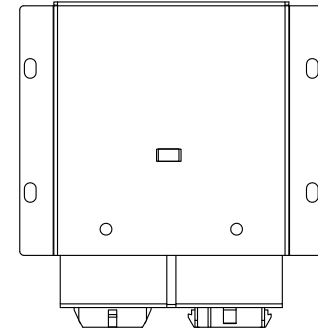
REAR VIEW



TOP VIEW



ISOMETRIC VIEW



BOTTOM VIEW

NOTES:

1. COMPLY WITH ALL APPLICABLE NATIONAL AND LOCAL ELECTRICAL REGULATIONS.
2. REFER TO PRODUCT DOCUMENTATION FOR ADDITIONAL DETAILS PRIOR TO INSTALLATION AND SITE PREPARATION WORK.
3. ALL DIMENSIONS ARE IN MILLIMETERS [INCHES].
4. NET WEIGHT

THIS DRAWING AND SPECIFICATIONS HEREIN ARE THE PROPERTY OF SCHNEIDER ELECTRIC AND SHALL NOT BE COPIED, REPRODUCED OR USED IN WHOLE OR IN PART, AS THE BASIS FOR THE MANUFACTURE OR SALE OF ITEMS WITHOUT WRITTEN PERMISSION FROM SCHNEIDER ELECTRIC. THIS DRAWING IS BASED UPON LATEST AVAILABLE INFORMATION AND IS SUBJECT TO CHANGE WITHOUT NOTICE.

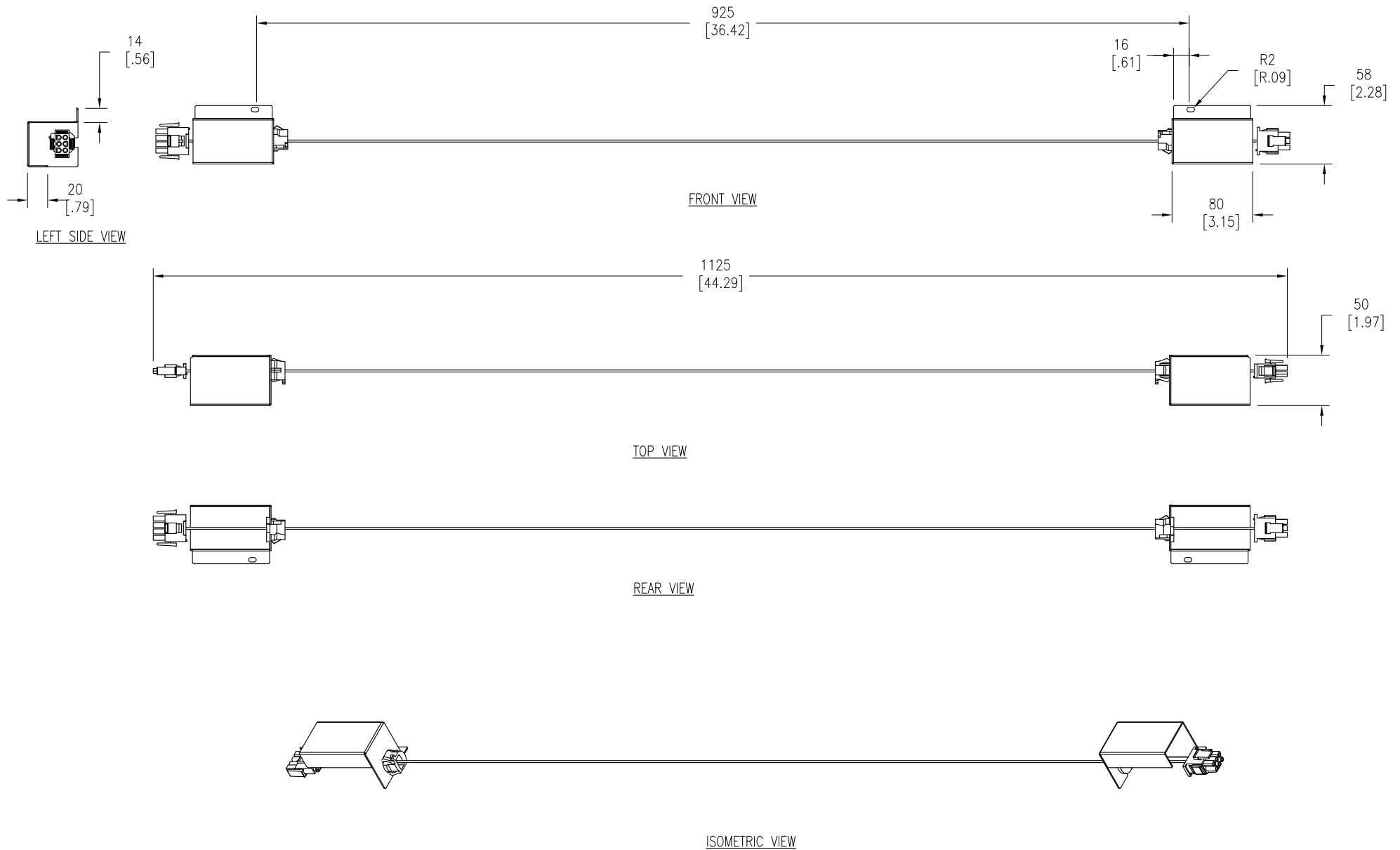


TITLE:
Eco-Aisle (TM) Aisle Containment System
CEILING PANEL LOCK SYSTEM(W/O POWER)
ASSY WIRING COVER BOX ACS
PROJECT: SUBMITTAL DRAWINGS SHEET 1 OF 3

DWG NO:	ACDC2015	REV.	0
DRAWN BY:	K.NAGENDRA	10-JUL-13	FIRST ANGLE PROJ
ENGINEER:	RUSTIN SHI/MARK MENG	10-JUL-13	
APPROVED BY:	AARON GRAFF	10-JUL-13	

CEILING PANEL LOCK SYSTEM (W/O POWER)

COVER BOX TO BOX WIRING ASSEMBLY



NOTES:

1. COMPLY WITH ALL APPLICABLE NATIONAL AND LOCAL ELECTRICAL REGULATIONS.
2. REFER TO PRODUCT DOCUMENTATION FOR ADDITIONAL DETAILS PRIOR TO INSTALLATION AND SITE PREPARATION WORK.
3. ALL DIMENSIONS ARE IN MILLIMETERS [INCHES].

THIS DRAWING AND SPECIFICATIONS HEREIN ARE THE PROPERTY OF SCHNEIDER ELECTRIC AND SHALL NOT BE COPIED, REPRODUCED OR USED IN WHOLE OR IN PART, AS THE BASIS FOR THE MANUFACTURE OR SALE OF ITEMS WITHOUT WRITTEN PERMISSION FROM SCHNEIDER ELECTRIC. THIS DRAWING IS BASED UPON LATEST AVAILABLE INFORMATION AND IS SUBJECT TO CHANGE WITHOUT NOTICE.



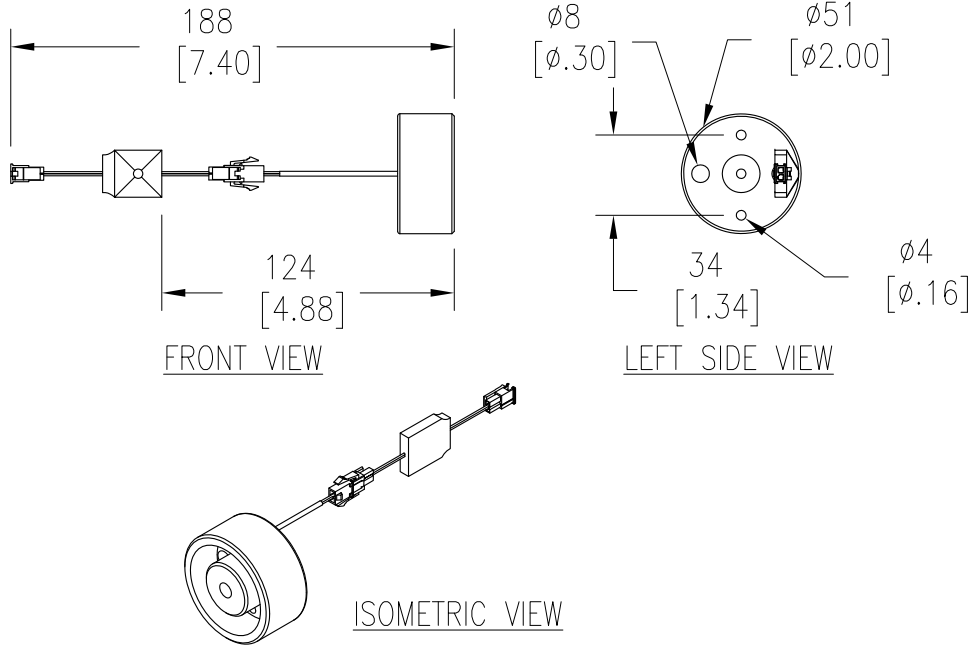
TITLE:
Eco-Aisle (TM) Aisle Containment System
CEILING PANEL LOCK SYSTEM(W/O POWER)
ASSY WIRING COVER BOX ACS

PROJECT: SUBMITTAL DRAWINGS | SHEET 2 OF 3

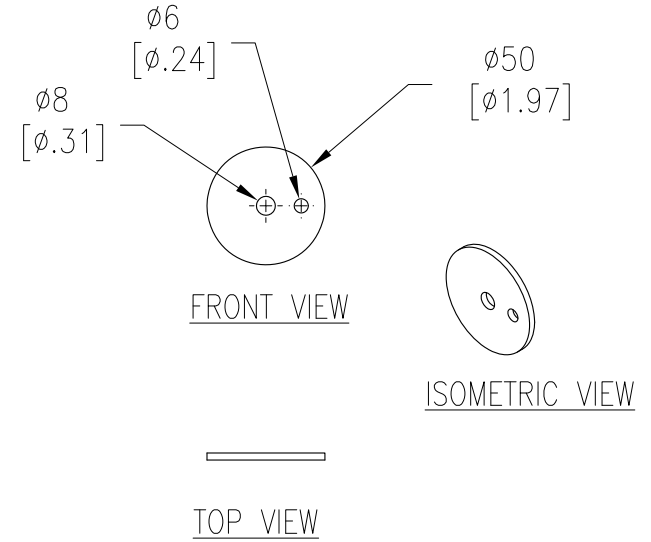
DWG NO:	ACDC2015	REV.	0
DRAWN BY:	K.NAGENDRA	10-JUL-13	FIRST
ENGINEER:	RUSTIN SHI/MARK MENG	10-JUL-13	ANGLE
APPROVED BY:	AARON GRAFF	10-JUL-13	PROJ

LOCK MAGNETIC

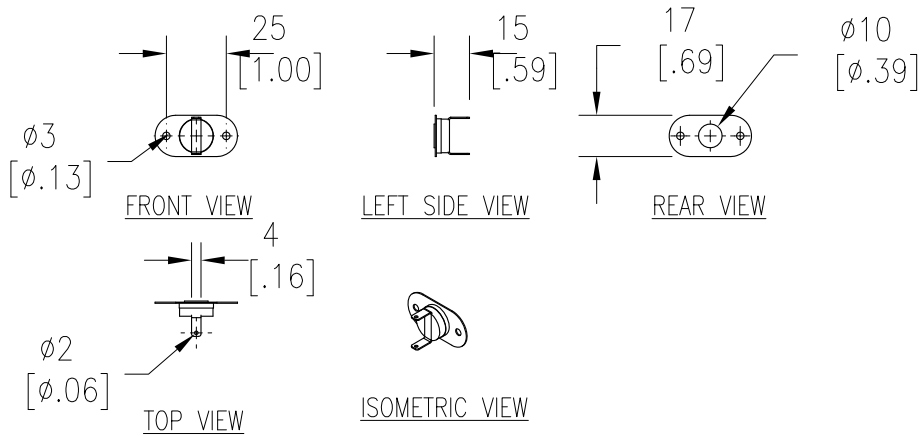
CEILING PANEL LOCK SYSTEM (W/O POWER)



EM LOCK SPACER



TEMP SWITCH
135F 24VDC,3A



NOTES:

1. COMPLY WITH ALL APPLICABLE NATIONAL AND LOCAL ELECTRICAL REGULATIONS.
2. REFER TO PRODUCT DOCUMENTATION FOR ADDITIONAL DETAILS PRIOR TO INSTALLATION AND SITE PREPARATION WORK.
3. ALL DIMENSIONS ARE IN MILLIMETERS [INCHES].

THIS DRAWING AND SPECIFICATIONS HEREIN ARE THE PROPERTY OF SCHNEIDER ELECTRIC AND SHALL NOT BE COPIED, REPRODUCED OR USED IN WHOLE OR IN PART, AS THE BASIS FOR THE MANUFACTURE OR SALE OF ITEMS WITHOUT WRITTEN PERMISSION FROM SCHNEIDER ELECTRIC. THIS DRAWING IS BASED UPON LATEST AVAILABLE INFORMATION AND IS SUBJECT TO CHANGE WITHOUT NOTICE.



TITLE:		DWG NO: ACDC2015		REV. 0
Eco-Aisle (TM) Aisle Containment System CEILING PANEL LOCK SYSTEM(W/O POWER) ASSY WIRING COVER BOX ACS		DRAWN BY: K.NAGENDRA	10-JUL-13	FIRST
		ENGINEER: RUSTIN SHI/MARK MENG	10-JUL-13	ANGLE
PROJECT: SUBMITTAL DRAWINGS	SHEET 3 OF 3	APPROVED BY: AARON GRAFF	10-JUL-13	PROJ