

## Height Adapter/Depth Extender for VX—Installation

ACDC2510, ACDC2511 ACDC2517, ACDC2518, ACDC2552, ACDC2553

### ⚠️ ⚠️ DANGER

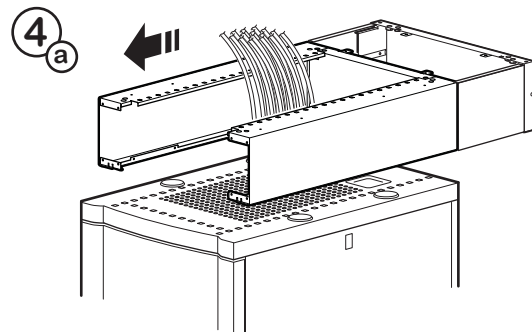
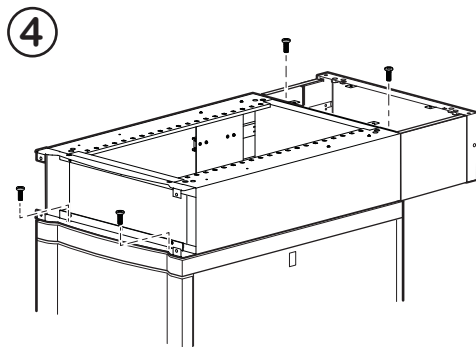
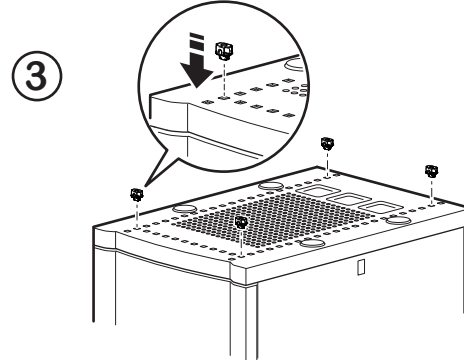
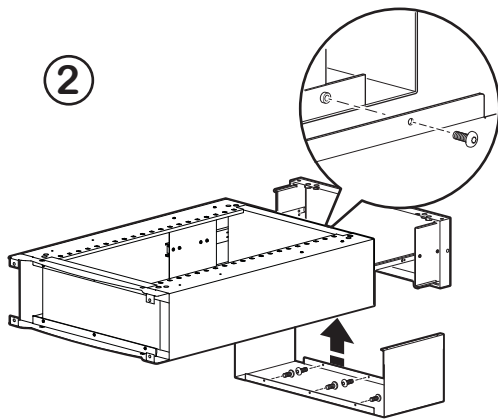
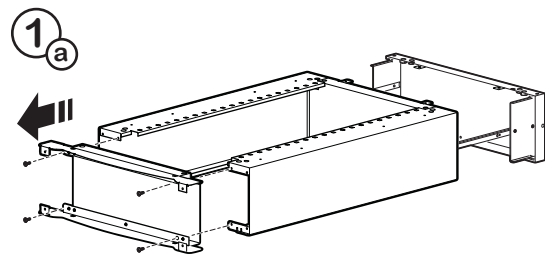
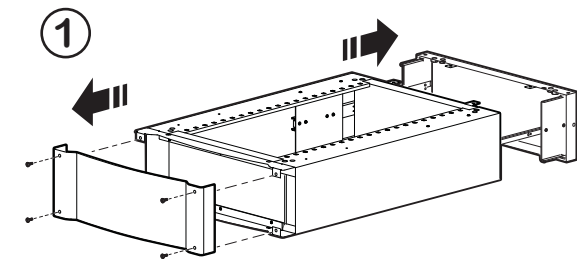
HAZARD OF ELECTRIC SHOCK, EXPLOSION, OR ARC FLASH

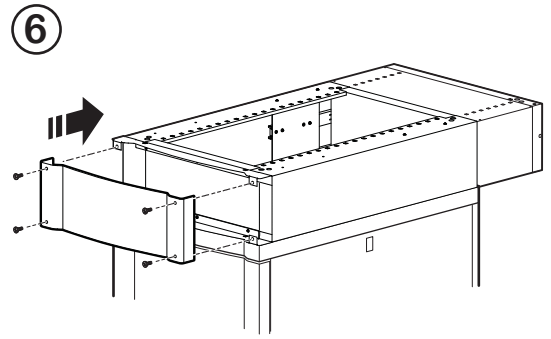
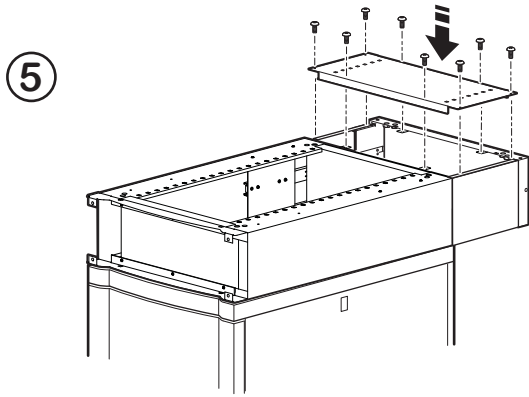
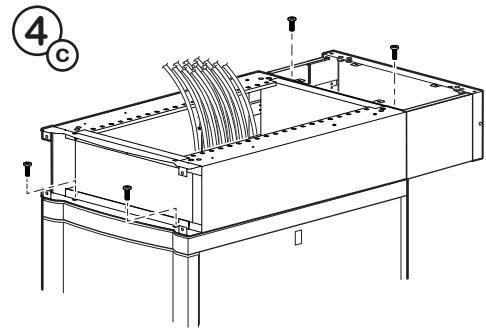
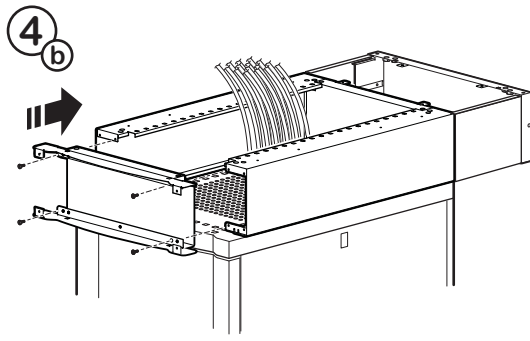
Turn off all electrical power before working on or near this equipment.

Failure to follow these instructions will result in death or serious injury.

na445343

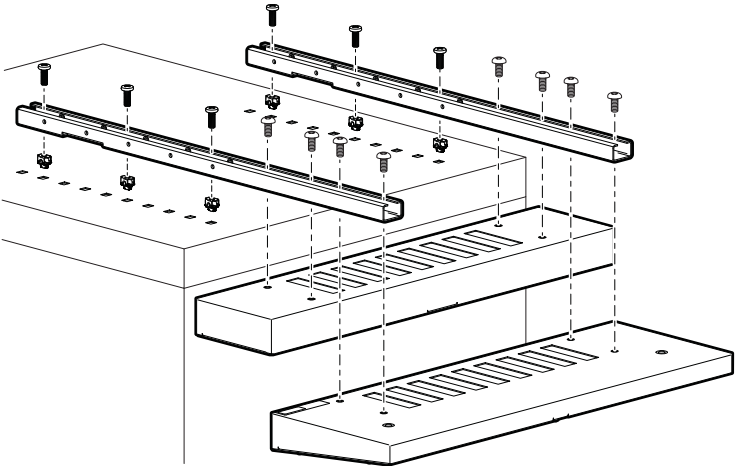
ACDC2510, ACDC2511 ACDC2517, ACDC2518,



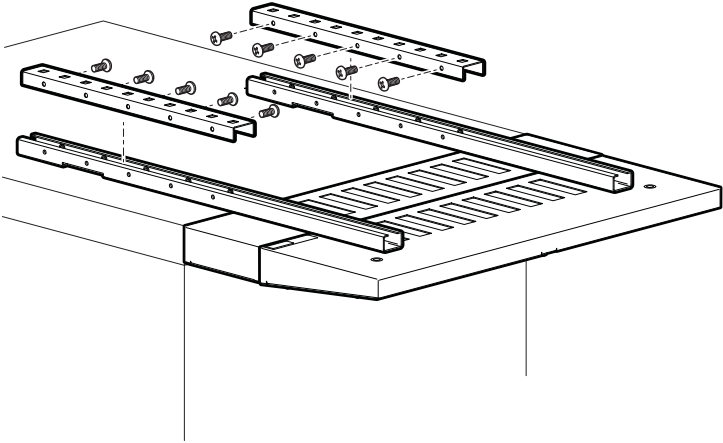


ACDC2552, ACDC2553

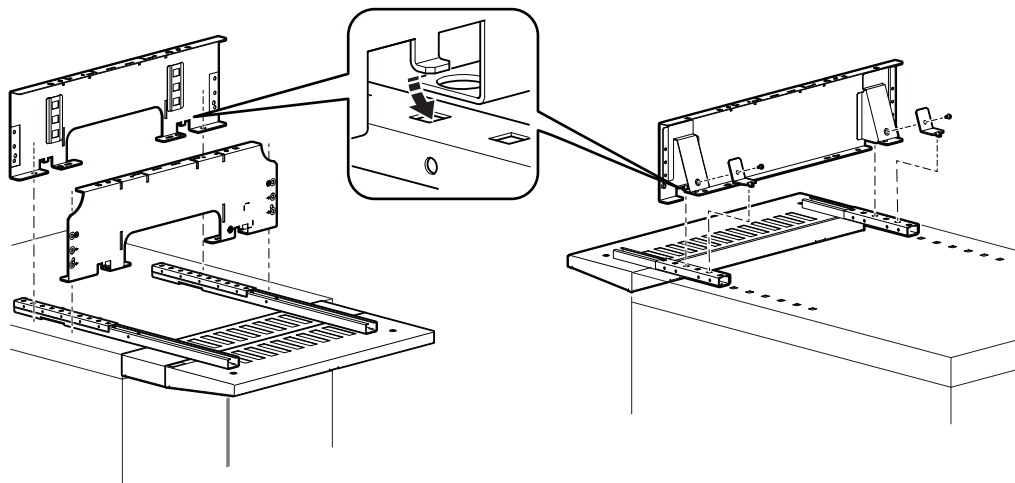
1



2



3



Customer support and warranty information is available at the APC Web site, [www.apc.com](http://www.apc.com).

© Schneider Electric, APC and the APC logo are owned by Schneider Electric Industries S.A.S., or its affiliated companies. All other trademarks are property of their respective owners.

990-5070  
6/2013