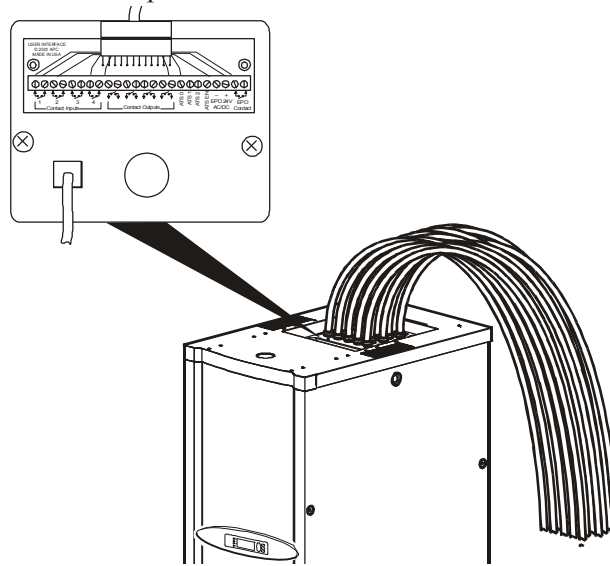


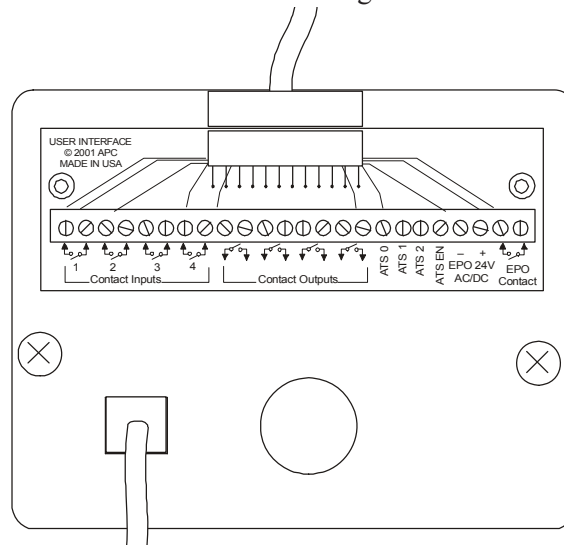
Optional Connections

User Connections to the PDU Monitoring Unit

The PDU has several current and voltage monitoring boards that report to a central board assembly in the PDU monitoring unit. The monitoring unit allows the user to monitor dry contacts, connect an EPO switch, and connect to the APC LAN. The monitoring unit resides on a shelf inside the rear panel of the PDU. All connections to it are made through the user connection plate. The figure below shows the location of the user connection plate. It is mounted on the roof of the PDU enclosure, and the connections are made from inside the enclosure. Use the knockout in the plate to route cables to and from the user connections on the plate.



The user connection plate has four contact closure connections (NO or NC) for monitoring dry contacts, three choices for connection of an EPO switch, and a 10Base-T port for connection to the APC LAN (connect this port to the InfraStruXure Manager Hub or Switch).



How to connect contacts to the PDU Monitoring Unit

1. Choose one or more contact numbers on the user connection plate to which you will connect the contacts. The user connection plate is connected to the PDU monitoring unit.
2. From the PDU display interface:
 - a. Press the ESC or ENTER key to go to the top-level menu screen.
 - b. Select **Contacts** on the top-level menu screen and press the ENTER key.
 - c. Press the ENTER key to select the number of the contact you are connecting. The continue arrow \updownarrow will appear next to the contact number.
 - d. Press the Up or Down arrow key to select the appropriate contact number and press the ENTER key.
 - e. Press the Down arrow key to enter a unique **Name** for the contact and to configure the **Normal** state of the contact (Open or Closed). The default **Normal** state is Open. Press the ENTER key to select the item you wish to configure.



Note

You will be prompted for your password to configure these items.

3. Connect contact wires (300 V-rated cabling required) to the terminal block on the user connection plate. You will need a 2.5-mm standard screwdriver.
4. Run the wires from the terminal block out the roof or under the floor of the PDU to your contact's location.



Warning

Ensure that wires are properly retained and away from high voltage lines and breakers.