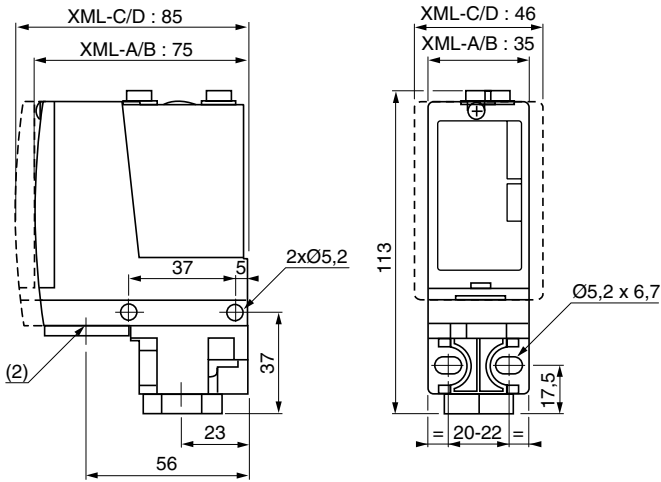
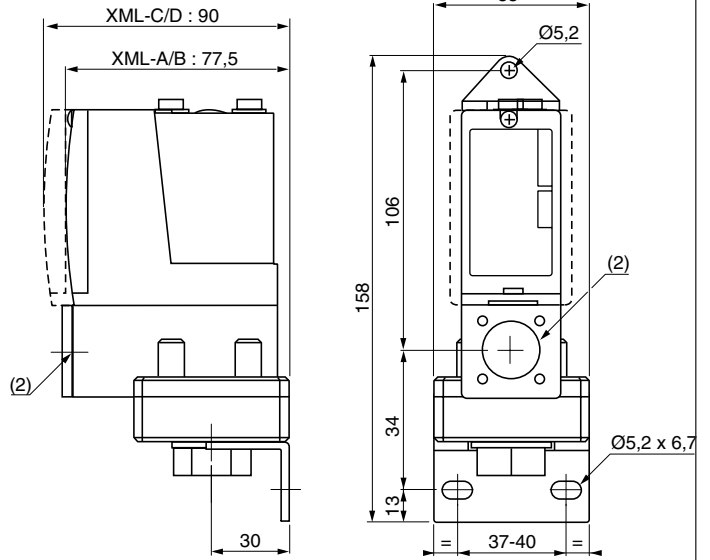


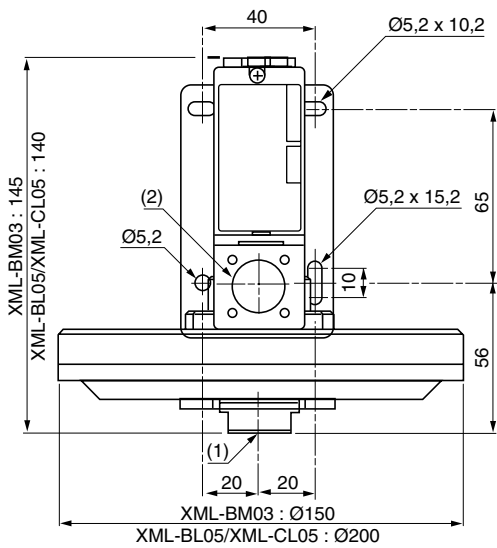
Dimensions - Encombrements - Abmessungen - Dimensiones - Dimensioni - Atravancamentos  
 Mounting details - Fixations - Befestigung - Fijación - Quote di fissaggio - montagem



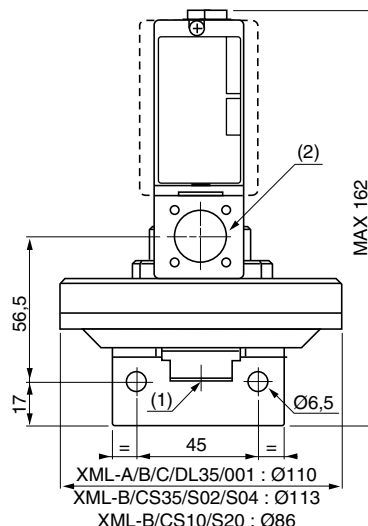
XML-A/BM01/M05/010/020/035/070/160/300/500/XML-A004  
 XML-C/D010/020/035/070/160/300/500



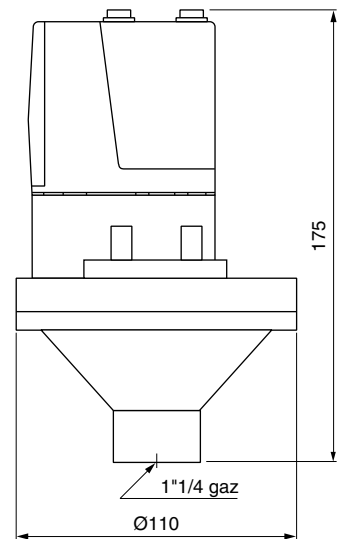
XML-AM02/002 - XML-B004...  
 XML-C/DM02/002/004



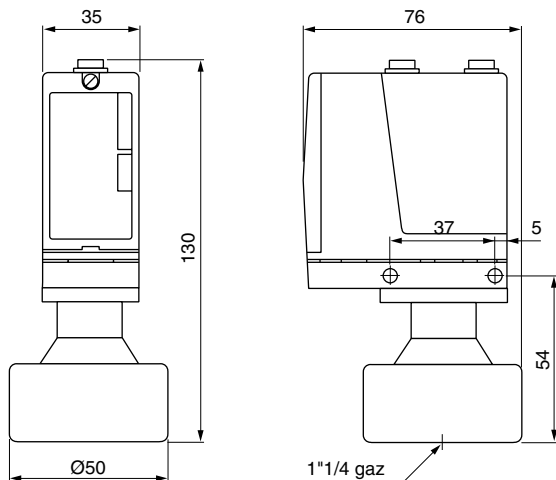
XML-BM03/BL05/CL05



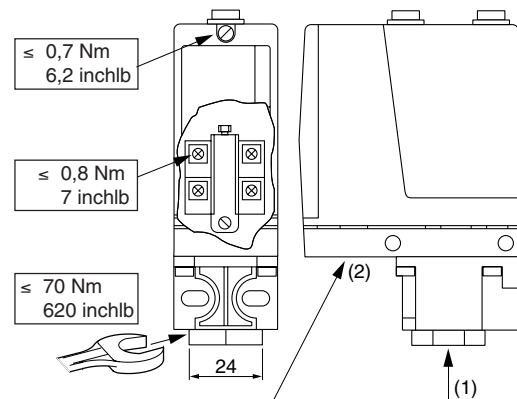
XML-A/B/C/DL35/001  
 XML-B/CS35/S02/S04/S10/S20



XML-BL35P

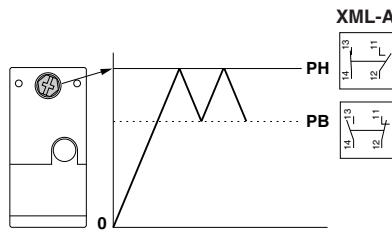


XML-A004/010/020/035P  
 XML-BM05

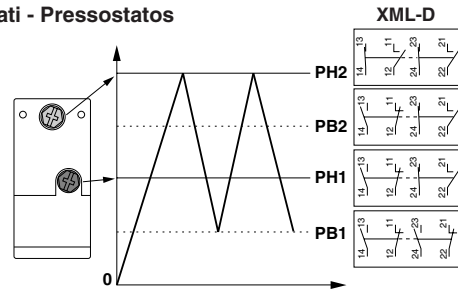


XML-.....1	PG13.5 DIN46255	1/4" Gaz ISO228
XML-.....2	M20 BS4568	G 1/4" ISO228 BS2779
XML-.....3	1/2"-14 NPT ANSI B2-1	1/4"-18NPTF ANSIB1.20.3
XML-.....4	1/2" PF JIS B0202	1/4" PT JIS B0203

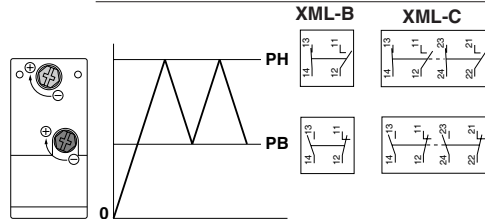
## Pressure switches - Pressostats - Druckwaechter - Presostatos - Pressostati - Pressostatos



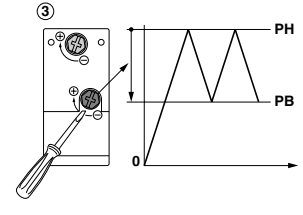
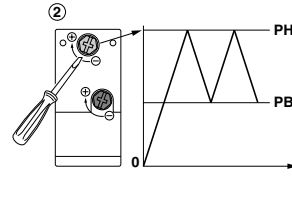
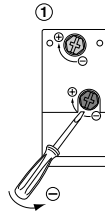
XML-A001/002/004/010/020/035/070/160/300/500



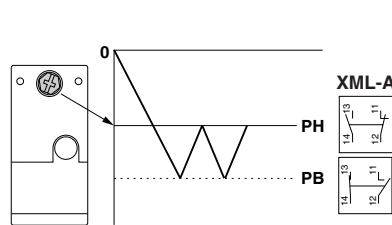
XML-DL35/001/002/004/010/020/035/070/160/300/500



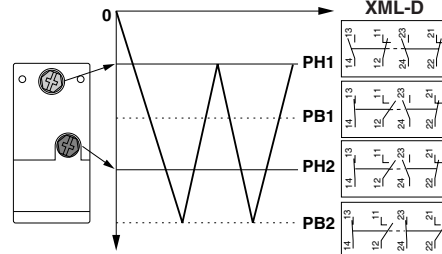
XML-BL35/001/002/004/010/020/035/070/160/300/500  
XML-CL35/001/002/004/010/020/035/070/160/300/500



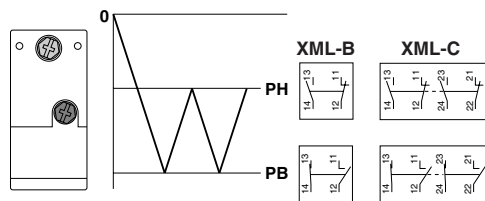
## Vacuum switches - Vacuostats - Vakuumschalter - Vacuostatos - Vacuostati - Vacuostatos



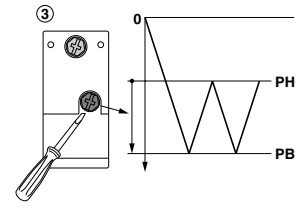
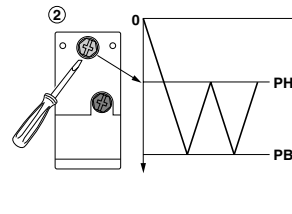
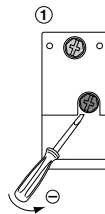
XML-AM01



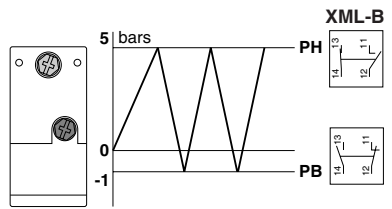
XML-DM02



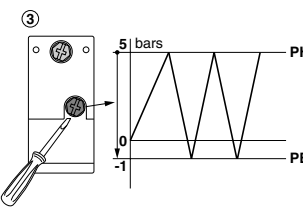
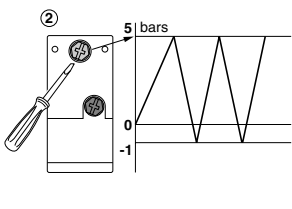
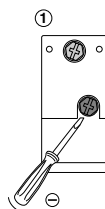
XML-BM02/M03  
XML-CM02



## Vacuum pressure switches - Vacuopressostats - Vakuum Druckwaechter - Vacuo Presostatos - Vacuo Pressostati - Vacuo Pressostatos

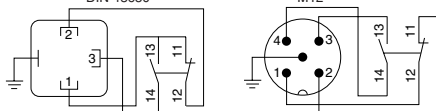


XML-BM05



### XML-A/B Wiring diagram - Schémas de raccordement - Anschlußpläne - Esquemas - Schema di cablaggio - Esquemas de ligação

Connector - Connecteur - Steckverbinder - Conector - connettore - Ligador  
DIN 43650



<b>PH</b>	High setting point - Point haut - Oberer Schaltpunkt - Punto de disparo superior - Punto di scatto superiore
<b>PB</b>	Low setting point - Point bas - Unterer Schaltpunkt - Punto de disparo inferior - Punto di scatto inferiore



### DANGER / PELIGRO / DANGER

#### HAZARDOUS VOLTAGE

Disconnect all power before servicing equipment.

Electric shock will result in death or serious injury.

#### TENSION PELIGROSA

Desenergice el equipo antes de realizarle servicio.

Una descarga eléctrica podrá causar la muerte o lesiones serias.

#### TENSION DANGEREUSE

Couper l'alimentation avant de travailler sur cet appareil.

Une électrocution entrainera la mort ou des blessures graves.



PH  
Differential  
Ecart  
Histerese  
Diferencial  
Differenziale