

APC Worldwide Customer Support

Customer support for this or any other APC product is available at no charge in any of the following ways:

- Visit the APC Web site to find answers to frequently asked questions (FAQs), to access documents in the APC knowledge base, and to submit customer support requests.
 - <http://www.apc.com> (Corporate Headquarters)
Connect by links to APC Web pages for specific countries and regions, each of which provides customer support information.
 - <http://www.apc.com/support/>
Submit customer support requests.
- Contact an APC Customer Support center by telephone or e-mail.
 - Regional centers:

APC Headquarters (U.S. and Canada)	(1) (800) 800-4272 (toll free)
Latin America	(1) (401) 789-5735 (United States) apctchla@apc.com
Europe, Middle East, Africa	(353) (91) 702020 (Ireland) apceurtech@apc.com
Japan	(03) 5434-2021 jsupport@apc.com

- Local, country-specific centers: go to <http://www.apc.com/support/contact> for contact information.
- Contact the APC representative or other distributor from whom you purchased your APC product for information on how to obtain local customer support.

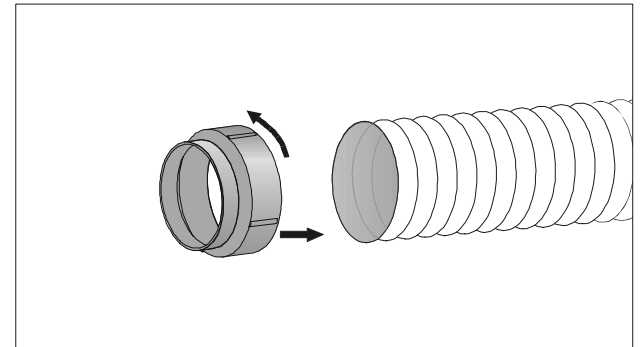
APC® Installing the Exhaust Kit in a Window

Prodedure

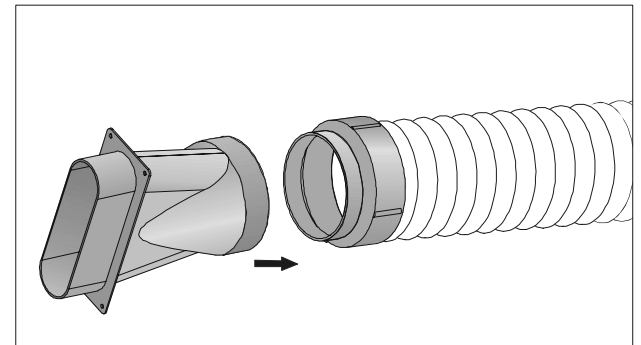
For this installation you will need the following:

- Holder flange
- Exhaust duct
- Window flange
- Base flange

1. Extend six inches of the exhaust duct and screw the holder flange onto it.



2. Slide the window flange onto the holder flange.

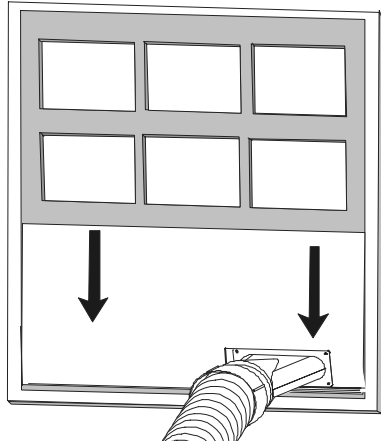


Continued on next page

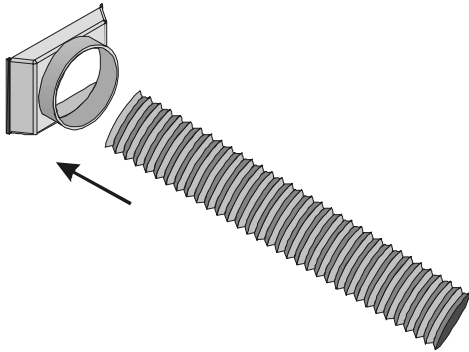
Installing the Exhaust Kit in a Window *continued*

Prodedure,
continued

3. Open the window and place the window flange assembly into your window frame and lower your window onto the window flange assembly.



4. Screw the other end of the exhaust duct into the base flange.



Continued on next page

Installing the Exhaust Kit in a Window *continued*

Prodedure,
continued

5. Slide the base flange onto the exhaust vent on the back of the unit.

