



AR2144/2145 Seismic Anchoring Requirements

The AR2144/AR2145 was seismically tested on a shaker table and was bolted to a steel plate for the test. Seismic test documents do not state the type or thickness of concrete that will work. However, the test results state that each floor anchor needs to be capable of holding 2,000 lbs. Therefore, the combination of the concrete floor and concrete anchors needs to withstand a pullout force of 2,000 lbs. The AR2144/AR2145 is supposed to be bolted to the floor in eight locations with M12 or 1/2" bolts to anchors that are pre-embedded in the floor ([see illustration on page 2](#)).

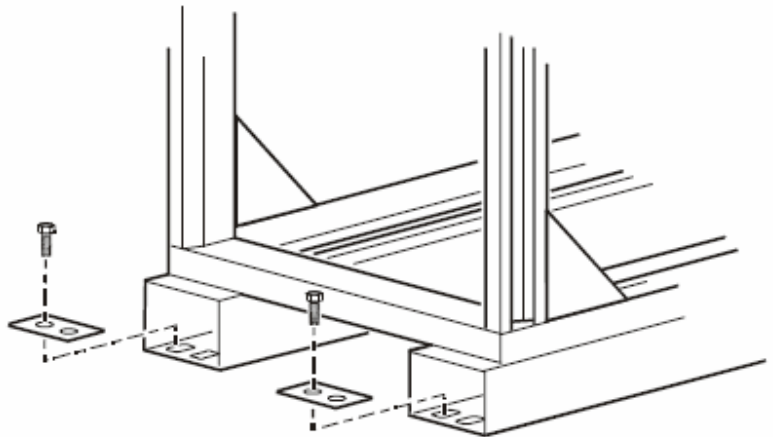
How to bolt the enclosure to the floor

For seismic stability, the NetShelter VX Seismic Enclosure must be bolted to the floor. Proper anchoring hardware should already be in place before starting this procedure.

Tools and hardware required

Qty	Item
4	Bolt plates (included)
8	M12 or ½-inch bolts (not included)
1	Adjustable wrench (not included)
1	Torque wrench (not included)

1. Remove the front and rear skirts on the enclosure. (See “How to remove the skirts” on page 14.)
2. Insert two bolts through each plate and the holes in the plinth, using the bolt plate (included). Screw the bolts into the pre-installed anchoring hardware in the floor.



3. Tighten the bolts to 60 pound-feet (81 newton-meters), using a torque wrench.