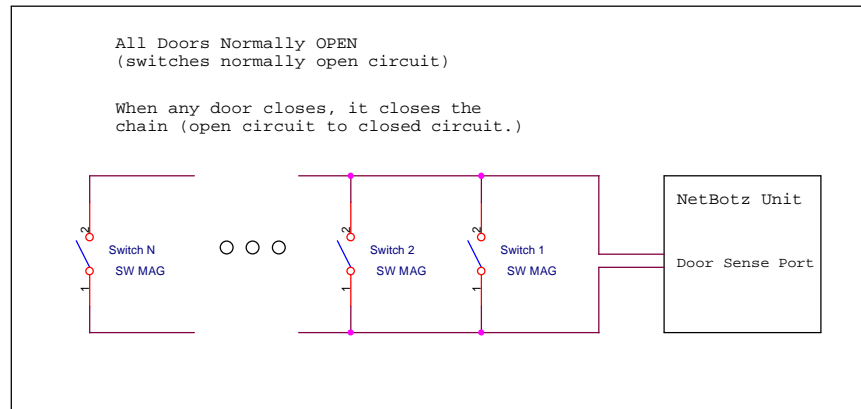
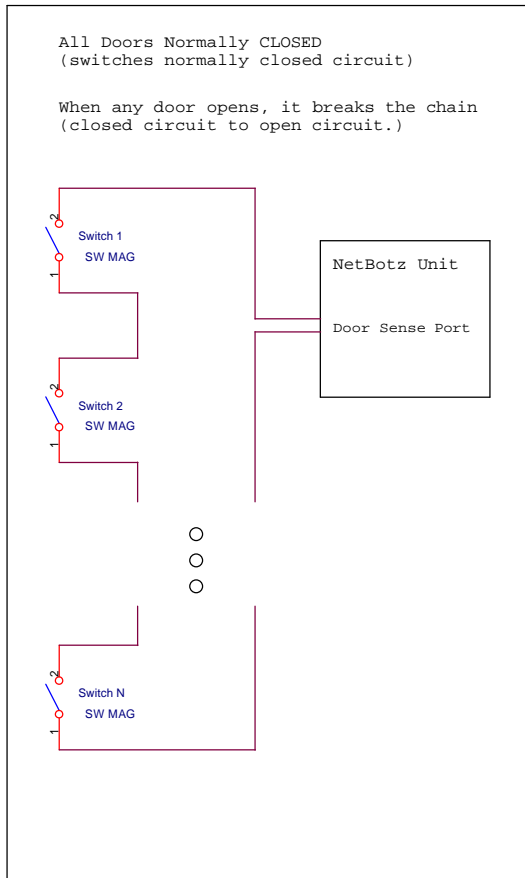


Daisy-Chaining Door Sensors

Operation of the Netbotz Door Sensor Assembly (as supplied with the Netbotz Unit)

Magnets separated, switch is OPEN CIRCUIT (no current flow - 3.3VDC at the switch)

Magnets together, switch is CLOSED CIRCUIT (Less than 1mA current flow, 0 VDC at the switch)



Netbotz, Inc.
11044 Research Blvd., Suite C100
Austin, TX 78759
Phone: 877-908-2680 or 512-439-5800
Fax: 512-439-5801
Support: 877-908-2688



Title: Daisy-Chaining Door Sensors		Revision
Size	Document Number	00
B	00594	Approval
Date: Friday, August 03, 2001		
Drawn By: DKS		DKS
Filename: door_sensor.dsn	Sheet 1 of 1	1