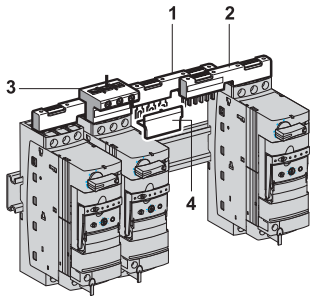


ACCESSORIES

Pre-wired System for Power Connections up to 63 A

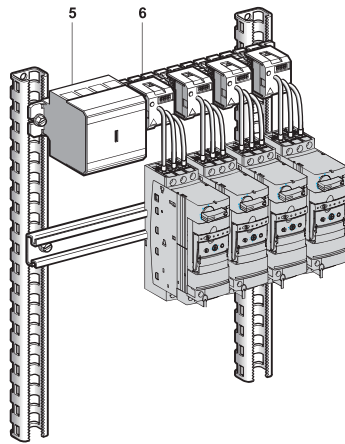
Suitable for group motor installations only



Description	Application	Pitch inches (mm)	Item	Sold in lots of	Catalog Number	Weight lb (kg)
Set of 3-pole 63 A busbars	2 power bases	1.77 (45)	2	1	GV2G245	0.080 (0.036)
		2.12 (54)	–	1	GV2G254	0.083 (0.038)
	3 power bases	1.77 (45)	–	1	GV2G345	0.127 (0.058)
		2.12 (54)	–	1	GV2G354	0.132 (0.060)
	4 power bases	1.77 (45)	1	1	GV2G445	0.169 (0.077)
	2.12 (54)	–	1	GV2G454	0.187 (0.085)	
	5 power bases	2.12 (54)	–	1	GV2G554	0.220 (0.100)
Protective end cover	For unused busbar outlets	–	4	5	GV1G10	0.011 (0.005)
Terminal block for supply to one or more busbar sets	Connection from the top	–	3	1	GV1G09	0.088 (0.040)

Pre-wired System for Power Connections up to 160 A

The busbar system can be screw-mounted to any type of support



4 Pole Busbar Set: 3-Phase + Neutral or 3-Phase + Common

Number of Tap-offs at 0.71" (18 mm) Intervals	Length inches (mm)	For Mounting in Enclosure Width mm	Item	Catalog Number	Weight lb (kg)
18	17.8 (452)	800	5	AK5JB144	1.98 (0.900)

Removable 3-Phase Power Sockets

Number of Points used on the Busbar System	Thermal Current	Cable Length inches (mm)	Item	Sold in lots of	Catalog Number	Weight lb (kg)
2	16	7.87 (200)	6	6	AK5PC13	0.088 (0.040)
		9.84 (250)	6	6	AK5PC33	0.099 (0.045)
		39.4 (1000)	–	6	AK5PC33L	0.132 (0.060)