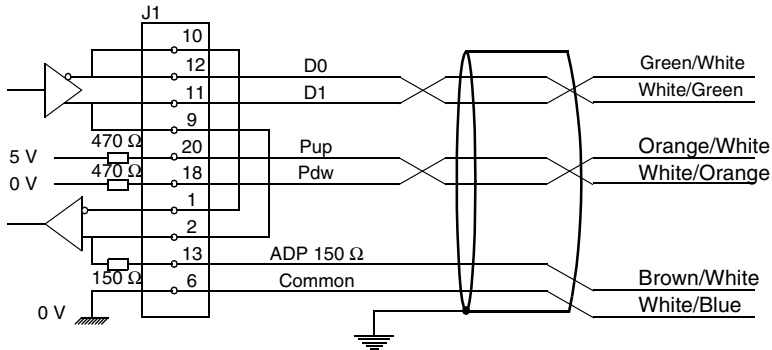


Connection to the 2 Wire Modbus/Jbus RS 485 Bus

Description of the TSX SCP CM 4030 Cable

The PCMCIA 20-pin mini-connector supports the following signals:



Important Note: On a Modbus/Jbus bus you must :

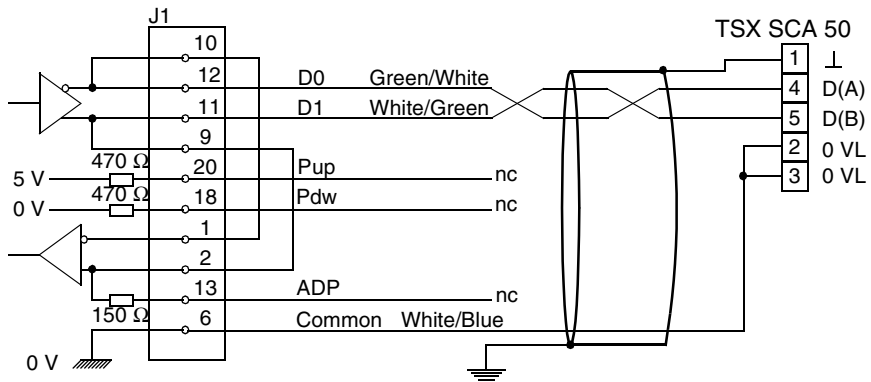
- polarize the line, at only one point (usually on the master device) with 470 Ω resistance. Connect Pup to D0 (D(A)) and Pdw to D1 (D(B)).
- adapt the line on the two end devices with a resistance of 150 Ω between D0 and D1 (D1 is already connected internally by the card).

Caution:

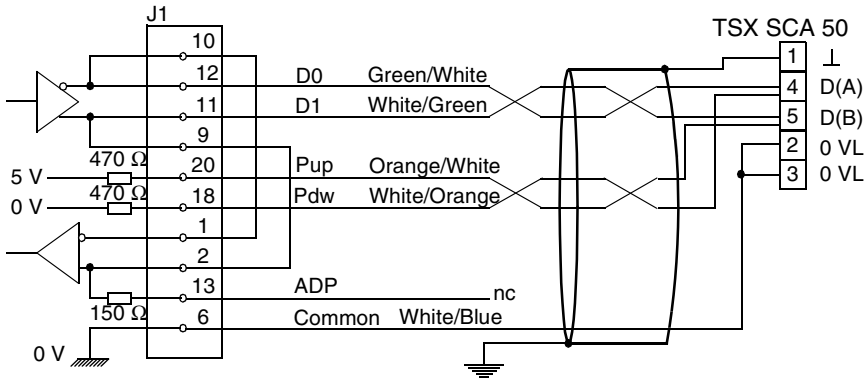
To connect TSX SCP 114 card to a PLC Series 1000 (S1000), D1 must be connected to L-.

Connecting Modbus to TSX SCA 50 device

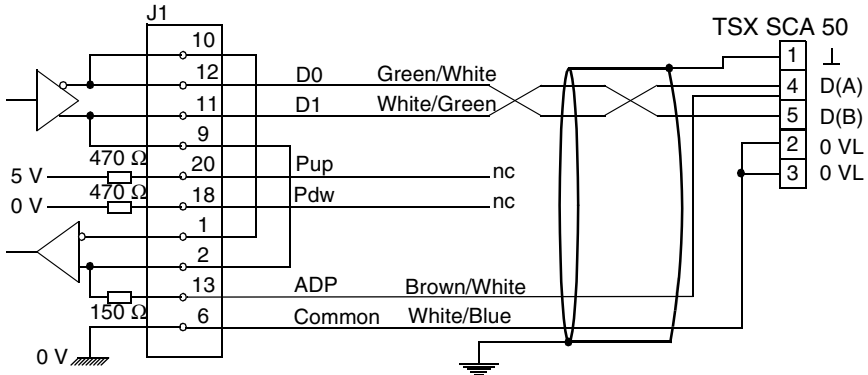
Single connection



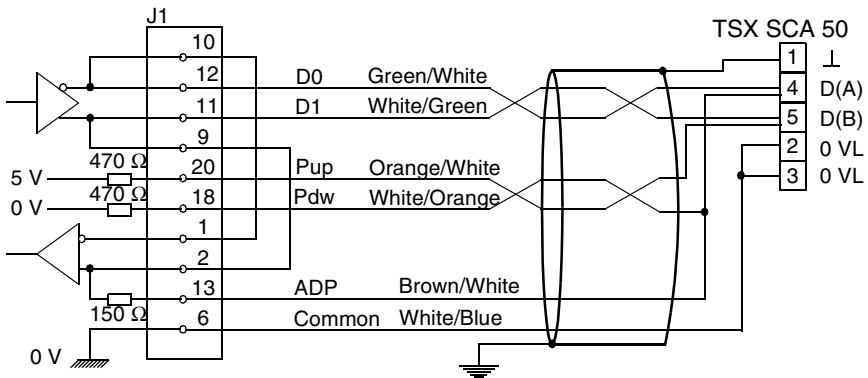
Connection with the line polarization:



Connection with line adaptation:



Connection with the line polarization and adaptation:



* 3 5 0 0 9 3 4 0 *

00



35009340 00