
The Altistart 48 connected in the motor delta winding in series with each winding

ATS48***Q starters connected to motors with delta connections can be inserted in series in the motor windings. They are powered by a current which is less than the line current by a factor of $\sqrt{3}$, which enables a starter with a lower rating to be used.

This option can be configured in the Advanced settings menu (dLt = On).

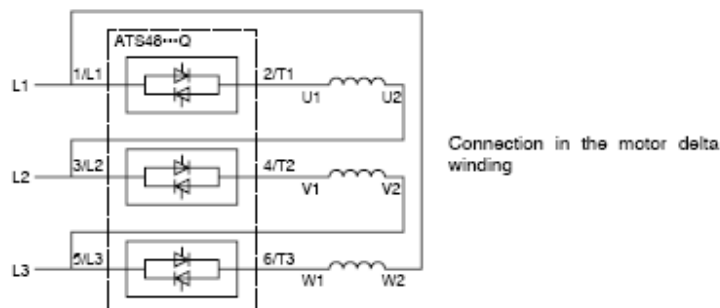
The nominal current and limiting current settings as well as the current displayed during operation are on-line values and so do not have to be calculated by the user.



The Altistart 48 can only be connected in the motor delta winding for ATS48***Q starters. This means that:

- only freewheel stopping is possible
- cascading is not possible
- preheating is not possible

See the tables on page 94 for more information about starter-motor combinations.



Example:

A 400 V - 110 kW motor with a line current of 195 A (nominal current for the delta connection).

The current in each winding is equal to $195/\sqrt{3}$ or 114 A.

The rating is determined by selecting the starter with a maximum permanent nominal current just above this current, i.e. 140 A (ATS48C14Q for a standard application).

To avoid having to calculate the rating in this way, use the tables on page 96 and 97 which indicate the rating of the starter corresponding to the motor power for each application type.