



## Main

Range of product	Preventa XY2
Product or component type	Two-hand control station and pedestal
Component name	XY2S
Control station composition	2 push-buttons + 1 emergency stop push-button
Control button type	2 push-buttons 1 push-button, mushroom, red, 1 NC + 1 NC simultaneous

## Complementary

Housing colour	Orange RAL 2008
Surface finish	Painted
Cable entry	1 plain hole for M25 2 plain holes for M20
Mechanical durability	1000000 cycles
Contact code designation	AC-15, A600 or 240 V, 3 A DC-13, Q600 or 250 V, 0.27 A conforming to EN/IEC 60947-5-1 appendix A
[Ui] rated insulation voltage	600 V conforming to CSA C22.2 No 14 600 V conforming to UL 508 600 V, degree of pollution: 3 conforming to EN/IEC 60947-1
[Uimp] rated impulse withstand voltage	6 kV conforming to EN/IEC 60947-1
Positive opening	With conforming to EN/IEC 60947-5-1 appendix K
Short-circuit protection	10 A fuse protection by cartridge fuse type gG conforming to EN/IEC 60269
Electrical durability	1000000 cycles utilisation category AC-15, operating rate: 60 cyc/mn at 120 V, 3 A, load factor: 0.5 conforming to EN/IEC 60947-5-1 appendix C 1000000 cycles utilisation category AC-15, operating rate: 60 cyc/mn at 230 V, 2 A, load factor: 0.5 conforming to EN/IEC 60947-5-1 appendix C 1000000 cycles utilisation category AC-15, operating rate: 60 cyc/mn at 24 V, 4 A, load factor: 0.5 conforming to EN/IEC 60947-5-1 appendix C 1000000 cycles utilisation category DC-13, operating rate: 60 cyc/mn at 110 V, 0.2 A, load factor: 0.5 conforming to EN/IEC 60947-5-1 appendix C 1000000 cycles utilisation category DC-13, operating rate: 60 cyc/mn at 24 V, 0.5 A, load factor: 0.5 conforming to EN/IEC 60947-5-1 appendix C
Electrical reliability	Failure rate < 0.00000001 at 17 V, 0.005 A conforming to EN/IEC 60947-5-4

Product weight	17 kg
----------------	-------

## Environment

Standards	EN 574 EN 954
Protective treatment	TC
Ambient air temperature for operation	-25...70 °C
Ambient air temperature for storage	-40...70 °C
Vibration resistance	5 gn (f = 2...500 Hz) conforming to EN/IEC 60068-2-6
Shock resistance	10 gn for 11 ms conforming to EN/IEC 60068-2-27
Electrical shock protection class	Class I conforming to EN/IEC 61140
IP degree of protection	IP65 conforming to EN/IEC 60529

## Offer Sustainability

Sustainable offer status	Green Premium product
RoHS (date code: YYWW)	Compliant - since 0908 - Schneider Electric declaration of conformity <a href="#">Schneider Electric declaration of conformity</a>
REACH	Reference not containing SVHC above the threshold <a href="#">Reference not containing SVHC above the threshold</a>
Product environmental profile	Available
Product end of life instructions	Need no specific recycling operations

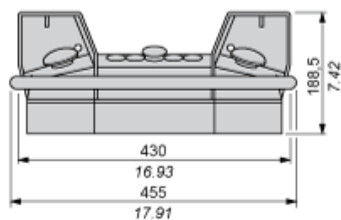
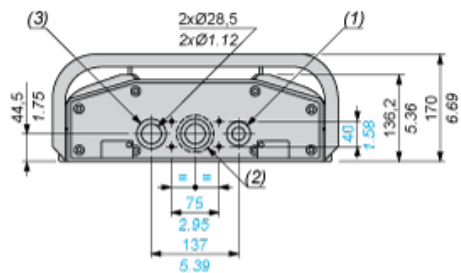
## Contractual warranty

Warranty period	18 months
-----------------	-----------

Control Station

Dimensions

mm  
in.

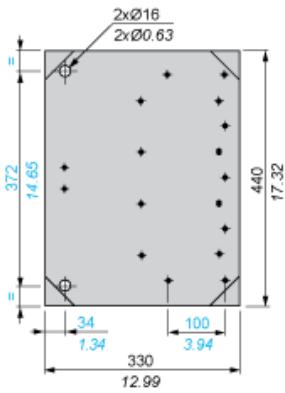
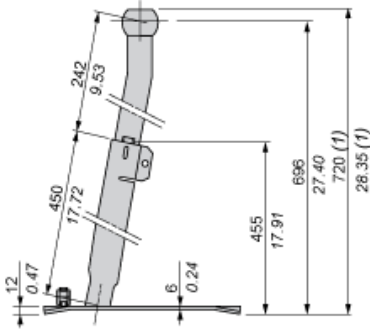


- (1) 2 plain holes for n° 13 (PG13.5) or ISO M20 cable gland.
- (2) Ø 56 mm/Ø 2.20 in. knock-out specifically for mounting on pedestal.
- (3) 1 plain hole for n° 21 (PG21) cable gland. For ISO M25, use adaptor DE9RA2125 and fixing nut DE9EC21.

Pedestal

Dimensions

mm  
in.



- (1) Adjustable height of pedestal 720 mm to 1060 mm / 28.30 in. to 41.70 in.