

Main

| | |
|----------------------------------|--|
| Range of product | Preventa Safety detection |
| Product or component type | Safety light curtain type 4 |
| Device short name | XUSL4E |
| Output type | 2 safety outputs OSSD solid-state PNP (integrated arc suppression) |
| Product specific application | For hand protection |
| [R] Resolution | 30 mm |
| [Sn] nominal sensing distance | 0...12 m by cabling 0...4 m by cabling |
| [Hp] Height protected | 310 mm |
| Number of beams | 16 |
| Type of start / restart | Automatic Manual |
| External Device Monitoring (EDM) | Selected by wiring |

Complementary

| | |
|--------------------------------|--|
| Detection system | Transmitter-receiver system |
| Response time | 5.5 ms |
| Kit composition | Adjustable mounting bracket(s) 1 receiver(s) 1 transmitter(s) 1 user guide with certificate of conformity on CD-ROM |
| [EAA] effective aperture angle | +/- 2.5 ° at 3 m |
| Emission | IR LED ($\lambda = 950$ nm) |
| [Us] rated supply voltage | 24 V DC (+/- 20 %) |
| Supply | Power supply must meet requirements of IEC 61496-1 Power supply must meet requirements of IEC 60204-1 |
| [Ie] rated operational current | 2 A |
| Current consumption | 42 mA no-load (transmitter) 83 mA no-load (receiver) 42 mA (transmitter) |

| | |
|-----------------------|---|
| | 900 mA with maximum load (receiver) |
| Output current limits | 0.4 A for safety outputs OSSD |
| Output voltage | 24 V |
| Output circuit type | DC |
| Voltage drop | <= 0.5 V |
| Local signalling | 1 multi-colour LED (transmitter) 2 dual colour LEDs (receiver) |
| Electrical connection | 1 male connector M12 5 pins (transmitter) 1 male connector M12 8 pins (receiver) |
| Function available | Muting through external safety module XPSLCMUT1160 LED display of operating modes and faults Test |
| Marking | CE |
| Material | Front panel : polycarbonate End caps : polypropylene Casing : aluminium |
| Housing colour | RAL 3000 : red |
| Fixing mode | By fixing brackets |
| Product weight | 0.7 kg |
| Offer type | Standard distance |

Environment

| | |
|---------------------------------------|--|
| Directives | 89/336/EEC - electromagnetic compatibility 2002/96/EC - WEEE directive 2002/95/EC - RoHS directive 98/37/EEC - machinery 89/655/EEC - work equipment |
| Product certifications | CE cULus TÜV |
| Safety level (correctly wired) | SIL 3 conforming to IEC 61508 Type 4 conforming to IEC 61496-1 SILCL 3 conforming to IEC 62061 Category 4 conforming to EN/ISO 13849-1 PL = e conforming to EN/ISO 13849-1 |
| Optical characteristic | Resistance to light disturbance conforming to EN/IEC 61496-2 |
| Mission time | 20 yr |
| Safety reliability data | PFHd = 8.20E-9 1/h conforming to IEC 61508 |
| Ambient air temperature for operation | -30...55 °C 14...131 °F |
| Ambient air temperature for storage | -35...70 °C -13...158 °F |
| Relative humidity | 0...95 % without condensation |
| IP degree of protection | IP65 IP67 |
| Shock resistance | 10 gn for 16 ms conforming to IEC 61496-1 |
| Vibration resistance | 0.35 +/- 0.05 mm (f = 10...55 Hz) conforming to IEC 61496-1 |

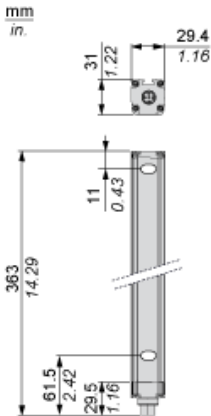
Offer Sustainability

| | |
|----------------------------------|---|
| Sustainable offer status | Green Premium product |
| RoHS (date code: YYWW) | Compliant - since 1425 - Schneider Electric declaration of conformity Schneider Electric declaration of conformity |
| REACH | Reference not containing SVHC above the threshold Reference not containing SVHC above the threshold |
| Product environmental profile | Available Product Environmental Profile |
| Product end of life instructions | Available End of Life Information |

Contractual warranty

| | |
|-----------------|-----------|
| Warranty period | 18 months |
|-----------------|-----------|

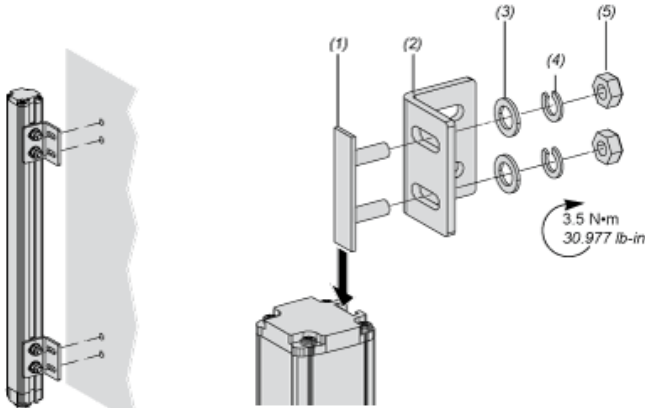
Dimensions



Brackets Dimensions



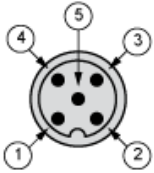
Mounting and Clearance



- (1) Insert
- (2) Bracket
- (3) Washer
- (4) Spring washer
- (5) Nut

Wiring Diagrams

Transmitter Connections

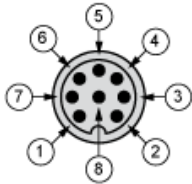


- (1) +24 Vdc
- (2) Configuration_0
- (3) 0 Vdc
- (4) Configuration_1
- (5) FE

Transmitter configurations and operating modes

| | High range option | Low range option | Transmitter in Test state | Forbidden wiring |
|-------------------------|-------------------|------------------|---------------------------|------------------|
| Pin 4 : Configuration_1 | 24 V | 0 V | 0 V | 24 V |
| Pin 2 : Configuration_0 | 0 V | 24 V | 0 V | 24 V |

Receiver Connections

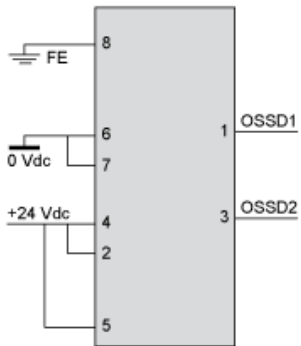


- (1) OSSD1
- (2) + 24 V
- (3) OSSD2
- (4) Configuration_A
- (5) K1_K2 Feedback/Restart
- (6) Configuration_B
- (7) 0 Vdc
- (8) FE

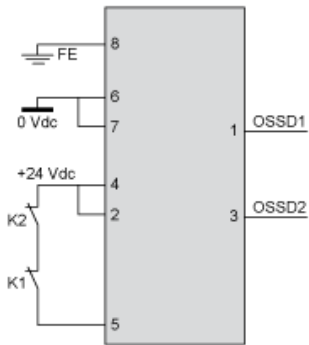
Receiver Configurations and Operating Modes

Automatic Start/Restart

Without External Device Monitoring (EDM) feedback loop

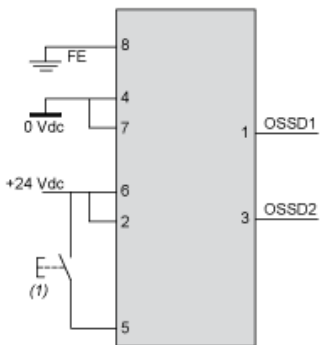


With External Device Monitoring (EDM) feedback loop



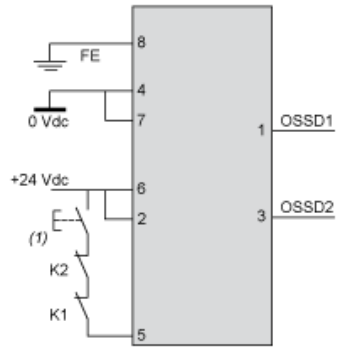
Manual Start/Restart

Without External Device Monitoring (EDM) feedback loop



(1) Restart

With External Device Monitoring (EDM) feedback loop



(1) Restart

Connecting to a Safety Interface

The screenshot shows a web interface for product data. On the left, a 'Discover' sidebar lists categories: Characteristics, Dimensions Drawings, Mounting and Clearance, Connections and Schema, and Download & Documents. A red box highlights 'Download & Documents', with a line labeled '1' pointing to it. The main content area is titled 'Download & Documents 1 to 9 of 9' and contains several sections: 'Image of product', 'Product environmental', 'End of life manual', 'Application solutions', 'Catalog', and 'User guide'. The 'Application solutions' section is highlighted with a red box, and a line labeled '2' points to the document 'Safety light curtains association with safety interfaces' within this section.

- 1 : Click on Download & Documents
- 2 : Click on Application solutions

To have all connection schematics concerning our safety module, select "download and document" and download the file "Safety light curtains association with safety interfaces"