



Main

| | |
|------------------------------------|---|
| Range of product | OsiSense XS |
| Series name | General purpose |
| Sensor type | Inductive proximity sensor |
| Device application | Mobile equipment |
| Sensor name | XS8 |
| Sensor design | Form 40 x 40 x 117 |
| Size | 117 mm |
| Body type | Fixed |
| Detector flush mounting acceptance | Non flush mountable |
| Material | Plastic |
| Enclosure material | PBT |
| Type of output signal | Discrete |
| Wiring technique | 4-wire |
| [Sn] nominal sensing distance | 40 mm |
| Discrete output function | 1 NO + 1 NC |
| Output circuit type | DC |
| Discrete output type | PNP |
| Electrical connection | Screw-clamp terminals, clamping capacity: 4 x 1.5 mm ² |
| [Us] rated supply voltage | 12...48 V DC with reverse polarity protection |
| Switching capacity in mA | <= 200 mA with overload and short-circuit protection |
| IP degree of protection | IP65 conforming to IEC 60529 IP67 conforming to IEC 60529 IP69K conforming to DIN 40050 |

Complementary

| | |
|-------------------------|--|
| Safety level | SILCL 2 conforming to IEC 62061 PL = d conforming to EN/ISO 13849-1 SIL 2 conforming to EN/IEC 61508 |
| Safety reliability data | SFF = 92 % |

DC = 75 % with appropriate safety controller
 MTTFd = 1546 years
 PFHd = 7.4E-8 1/h

| | |
|-----------------------|--|
| Detection face | 5 positions turret head |
| Front material | PBT |
| Operating zone | 0...32 mm |
| Differential travel | 3...15% of Sr |
| Repeat accuracy | <= 3% of Sr |
| Cable entry number | 1 tapped entry for 1/2" NPT cable gland |
| Status LED | 1 LED green for supply on 1 LED yellow for output state |
| Supply voltage limits | 10...58 V DC |
| Switching frequency | <= 200 Hz |
| Voltage drop | <= 2 V at closed state |
| Current consumption | 0...15 mA at no-load |
| Delay first up | <= 7.5 ms |
| Delay response | <= 1.4 ms |
| Delay recovery | <= 2.5 ms |
| Marking | CE |
| Height | 40 mm |
| Length | 40 mm |
| Width | 117 mm |
| Product weight | 0.244 kg |

Environment

| | |
|---------------------------------------|---|
| Product certifications | CCC CSA TÜV UL E2 |
| Ambient air temperature for operation | -25...70 °C |
| Ambient air temperature for storage | -40...85 °C |
| Vibration resistance | 25 gn amplitude = +/- 2 mm (f = 10...55 Hz) conforming to IEC 60068-2-6 |
| Shock resistance | 50 gn for 11 ms conforming to EN 60068-2-27 |

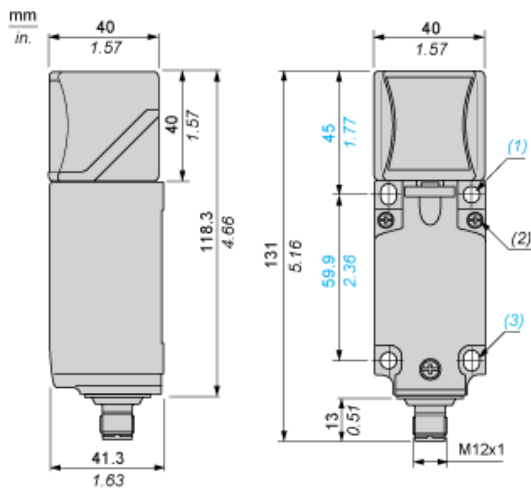
Offer Sustainability

| | |
|----------------------------------|---|
| Sustainable offer status | Green Premium product |
| RoHS (date code: YYWW) | Compliant - since 1213 - Schneider Electric declaration of conformity Schneider Electric declaration of conformity |
| REACH | Reference not containing SVHC above the threshold Reference not containing SVHC above the threshold |
| Product environmental profile | Available Product Environmental Profile |
| Product end of life instructions | Need no specific recycling operations |

Contractual warranty

| | |
|-----------------|-----------|
| Warranty period | 18 months |
|-----------------|-----------|

Dimensions



- (1) 2 holes \varnothing 5,45 mm / \varnothing 0.21 in. (Tightening torque: < 1,5 Nm / < 13.3 lb-in.)
- (2) 3 screws M3,5. (Tightening torque: < 1,2 Nm / < 10.6 lb-in.)
- (3) 2 elongated holes 5,4 x 7,4 mm / 0.21 x 0.29 in. (Tightening torque: < 1,5 Nm / < 13.3 lb-in.)

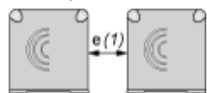
Mounting

Head Positions



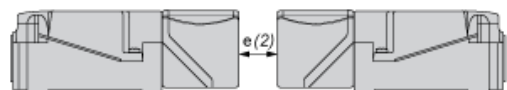
Setting-up Precautions

Side by Side



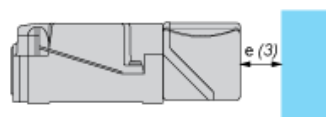
$e(1) \geq 160$

Face to Face



$e(2) \geq 320$

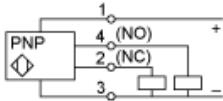
Facing a Metal Object



$e(3) \geq 120$

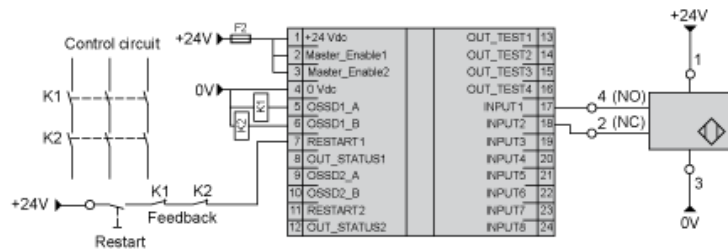
Wiring Schemes

4-Wire DC



SIL 2 Wiring Scheme

With Preventa XPSMF40 Safety PLC



SFF : (Safe Failure Fraction): 92,68 %
DC : (Diagnosis Coverage): 75,8 %