

Product data sheet

Characteristics

XS8C40NC449H29TT

inductive sensor XS8 40x40x117 - plastic -
Sn40mm - 12..48VDC - terminals



Main

| | |
|------------------------------------|---|
| Range of product | OsiSense XS |
| Series name | General purpose |
| Sensor type | Inductive proximity sensor |
| Device application | - |
| Sensor name | XS8 |
| Sensor design | Form 40 x 40 x 117 |
| Size | 117 mm |
| Body type | Fixed |
| Detector flush mounting acceptance | Non flush mountable |
| Material | Plastic |
| Enclosure material | Plastic |
| Type of output signal | Discrete |
| Wiring technique | 4-wire |
| [Sn] nominal sensing distance | 40 mm |
| Discrete output function | 1 NO + 1 NC |
| Output circuit type | DC |
| Discrete output type | NPN |
| Electrical connection | Screw-clamp terminals, clamping capacity: 4 x 1.5 mm ² |
| [Us] rated supply voltage | 12...48 V DC with reverse polarity protection |
| Switching capacity in mA | <= 200 mA with overload and short-circuit protection |
| IP degree of protection | IP67 conforming to IEC 60529 |

Complementary

| | |
|-----------------------|--|
| Detection face | 5 positions turret head |
| Front material | Plastic |
| Operating zone | 0...32 mm |
| Differential travel | 3...20% of Sr |
| Repeat accuracy | <= 3% of Sr |
| Cable entry number | 1 tapped entry for M20 x 1.5 cable gland |
| Status LED | 1 LED yellow for output state |
| Supply voltage limits | 10...58 V DC |

Disclaimer: This documentation is not intended as a substitute for and is not to be used for determining suitability or reliability of these products for specific user applications

| | |
|---------------------|------------------------|
| Switching frequency | <= 500 Hz |
| Voltage drop | <= 2 V at closed state |
| Current consumption | 0...10 mA at no-load |
| Delay first up | <= 5 ms |
| Delay response | <= 1 ms |
| Delay recovery | <= 1 ms |
| Marking | CE |
| Height | 40 mm |
| Length | 40 mm |
| Width | 117 mm |

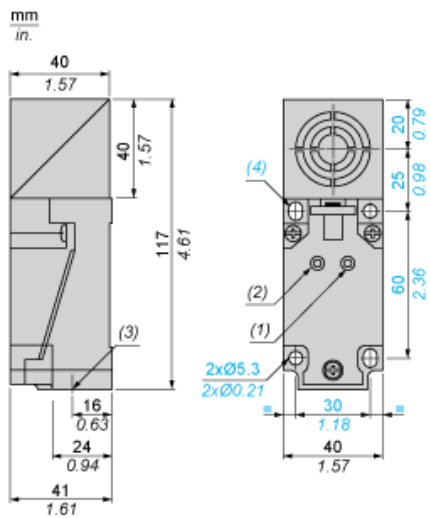
Environment

| | |
|---------------------------------------|------------------|
| Product certifications | CCC CSA UL |
| Ambient air temperature for operation | -25...85 °C |

Contractual warranty

| | |
|-----------------|-----------|
| Warranty period | 18 months |
|-----------------|-----------|

Dimensions

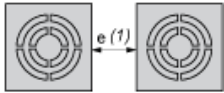


- (1) Output LED
- (2) Supply LED
- (3) 1 tapped entry for M20
- (4) 2 elongated holes Ø 5.3 x 7

Setting-up

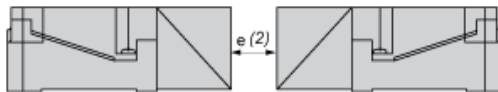
Minimum Mounting Distances (mm)

Side by Side



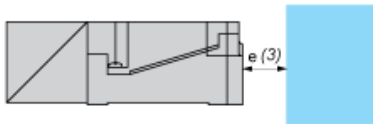
$$e (1) \geq 160$$

Face to Face



$$e (2) \geq 320$$

Facing a Metal Object



$$e (3) \geq 120$$

Tightening torque of cover fixing screws and clamp screws: < 1.2 N.m

Wiring Schemes

4-Wire DC

