



Main

Range of product	OsiSense XS
Series name	General purpose
Sensor type	Inductive proximity sensor
Device application	-
Sensor name	XS8
Sensor design	Form 40 x 40 x 117
Size	117 mm
Body type	Fixed
Detector flush mounting acceptance	Non flush mountable
Material	Plastic
Enclosure material	Plastic
Type of output signal	Discrete
Wiring technique	4-wire
[Sn] nominal sensing distance	20 mm
Discrete output function	1 NO + 1 NC
Output circuit type	DC
Discrete output type	NPN
Electrical connection	Screw-clamp terminals, clamping capacity: 4 x 1.5 mm ²
[Us] rated supply voltage	12...48 V DC with reverse polarity protection
Switching capacity in mA	<= 200 mA with overload and short-circuit protection
IP degree of protection	IP67 conforming to IEC 60529

Complementary

Detection face	5 positions turret head
Front material	Plastic
Operating zone	0...16 mm
Differential travel	3...20% of Sr
Repeat accuracy	<= 3% of Sr
Status LED	1 LED green for supply on 1 LED yellow for output state
Supply voltage limits	10...58 V DC

Disclaimer: This documentation is not intended as a substitute for and is not to be used for determining suitability or reliability of these products for specific user applications

Switching frequency	<= 1000 Hz
Voltage drop	<= 2 V at closed state
Current consumption	0...10 mA at no-load
Delay first up	<= 5 ms
Delay response	<= 0.3 ms
Delay recovery	<= 0.7 ms
Marking	CE
Height	40 mm
Length	40 mm
Width	117 mm

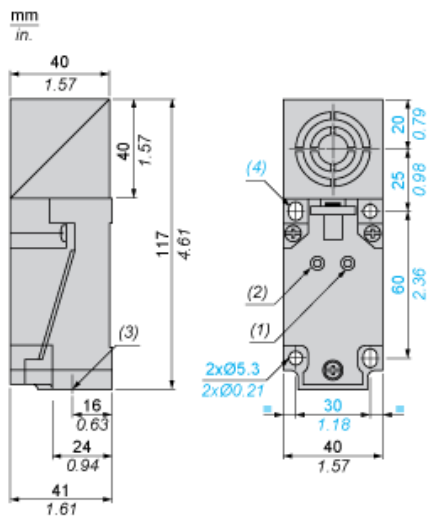
Environment

Product certifications	UL CSA CCC
Ambient air temperature for operation	-40...70 °C

Contractual warranty

Warranty period	18 months
-----------------	-----------

Dimensions

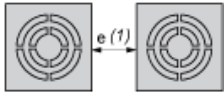


- (1) Output LED
- (2) Supply LED
- (3) 1 tapped entry for Pg 13.5 cable gland
- (4) 2 elongated holes $\varnothing 5.3 \times 7$

Setting-up

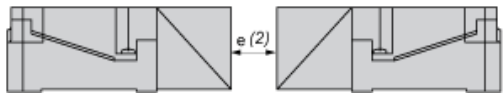
Minimum Mounting Distances (mm)

Side by Side



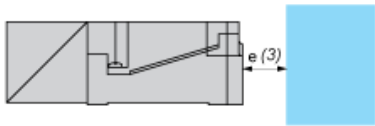
$$e (1) \geq 80$$

Face to Face



$$e (2) \geq 160$$

Facing a Metal Object



$$e (3) \geq 60$$

Wiring Schemes

4-Wire DC

