

### Main

|                                    |   |
|------------------------------------|---|
| Range of product                   | OsiSense XS   |
| Series name                        | General purpose   |
| Sensor type                        | Inductive proximity sensor  |
| Device application                 | -   |
| Sensor name                        | XS8   |
| Sensor design                      | Form 40 x 40 x 117  |
| Size                               | 117 mm  |
| Body type                          | Fixed   |
| Detector flush mounting acceptance | Non flush mountable   |
| Material                           | Plastic   |
| Enclosure material                 | Plastic   |
| Type of output signal              | Discrete  |
| Wiring technique                   | 2-wire  |
| [Sn] nominal sensing distance      | 20 mm   |
| Discrete output function           | 1 NO or 1 NC programmable   |
| Output circuit type                | AC/DC   |
| Electrical connection              | Screw-clamp terminals, clamping capacity: 2 x 1.5 mm <sup>2</sup> |
| [Us] rated supply voltage          | 24...240 V AC 50/60 Hz<br>24...210 V DC                           |
| Switching capacity in mA           | 5...200 mA DC<br>5...300 mA AC                                    |
| IP degree of protection            | IP67 conforming to IEC 60529                                      |

### Complementary

|                     |                         |
|---------------------|-------------------------|
| Detection face      | 5 positions turret head |
| Front material      | Plastic                 |
| Operating zone      | 0...16 mm               |
| Differential travel | 3...20% of Sr           |

|                       |   |
|-----------------------|---|
| Repeat accuracy       | <= 3% of Sr   |
| Cable entry number    | 1 tapped entry for 1/2" NPT cable gland                         |
| Status LED            | 1 LED yellow for output state                                   |
| Supply voltage limits | 20...264 V AC/DC  |
| Residual current      | <= 0.8 mA for open state 24 V<br><= 1.5 mA for open state 120 V |
| Switching frequency   | <= 25 Hz AC<br><= 50 Hz DC                                      |
| Voltage drop          | <= 5.5 V at closed state  |
| Delay first up        | <= 120 ms   |
| Delay response        | <= 30 ms  |
| Delay recovery        | <= 20 ms  |
| Marking               | CE  |
| Height                | 40 mm   |
| Length                | 40 mm   |
| Width                 | 117 mm  |

## Environment

|                                       |                  |
|---------------------------------------|------------------|
| Product certifications                | CCC<br>CSA<br>UL |
| Ambient air temperature for operation | -25...70 °C      |

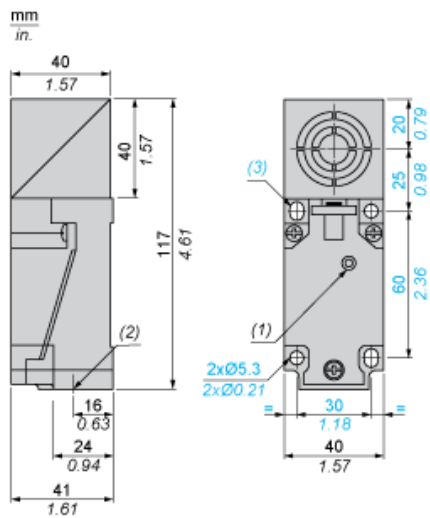
## Offer Sustainability

|                                  |   |
|----------------------------------|---|
| Sustainable offer status         | Green Premium product   |
| RoHS (date code: YYWW)           | Compliant - since 0836 - Schneider Electric declaration of conformity<br><a href="#">Schneider Electric declaration of conformity</a> |
| REACH                            | Reference not containing SVHC above the threshold<br><a href="#">Reference not containing SVHC above the threshold</a>                |
| Product environmental profile    | Available<br><a href="#">Product Environmental Profile</a>  |
| Product end of life instructions | Available<br><a href="#">End of Life Information</a>  |

## Contractual warranty

|                 |           |
|-----------------|-----------|
| Warranty period | 18 months |
|-----------------|-----------|

Dimensions



- (1) Output LED
- (2) 1 tapped entry for 1/2" NPT
- (3) 2 elongated holes  $\varnothing$  5.3 x 7

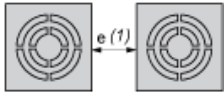
---

Setting-up

---

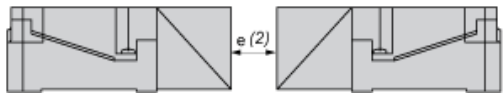
Minimum Mounting Distances (mm)

Side by Side



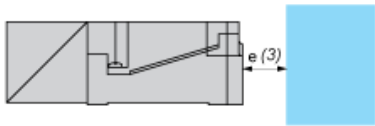
$$e (1) \geq 80$$

Face to Face



$$e (2) \geq 160$$

Facing a Metal Object



$$e (3) \geq 60$$

---

## Wiring Schemes

---

2-Wire AC or DC Programmable, NO or NC Output Depending on Position of Link

