

## Main

Range of product	OsiSense XS
Series name	General purpose
Sensor type	Inductive proximity sensor
Device application	-
Sensor name	XS8
Sensor design	Form 40 x 40 x 117
Size	117 mm
Body type	Fixed
Detector flush mounting acceptance	Non flush mountable
Material	Plastic
Enclosure material	Plastic
Type of output signal	Discrete
Wiring technique	2-wire
[Sn] nominal sensing distance	20 mm
Discrete output function	1 NO or 1 NC programmable
Output circuit type	AC/DC
Electrical connection	Screw-clamp terminals, clamping capacity: 2 x 1.5 mm <sup>2</sup>
[Us] rated supply voltage	24...240 V AC 50/60 Hz 24...210 V DC
Switching capacity in mA	5...200 mA DC 5...300 mA AC
IP degree of protection	IP67 conforming to IEC 60529

## Complementary

Detection face	5 positions turret head
Front material	Plastic
Operating zone	0...16 mm
Differential travel	3...20% of Sr

Repeat accuracy	<= 3% of Sr
Status LED	1 LED yellow for output state
Supply voltage limits	20...264 V AC/DC
Residual current	<= 0.8 mA for open state 24 V <= 1.5 mA for open state 120 V
Switching frequency	<= 25 Hz AC <= 50 Hz DC
Voltage drop	<= 5.5 V at closed state
Delay first up	<= 120 ms
Delay response	<= 30 ms
Delay recovery	<= 20 ms
Marking	CE
Height	40 mm
Length	40 mm
Width	117 mm

## Environment

Product certifications	UL CCC CSA
Ambient air temperature for operation	-25...70 °C

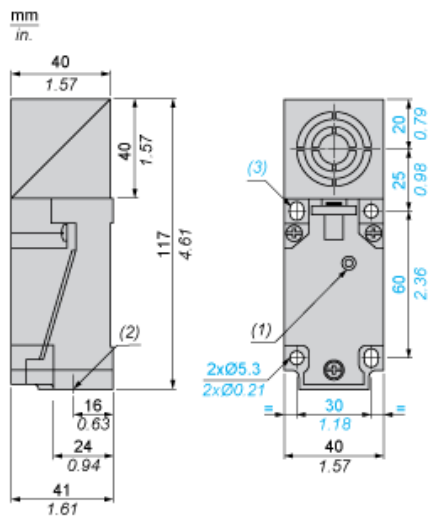
## Offer Sustainability

Sustainable offer status	Green Premium product
RoHS (date code: YYWW)	Compliant <a href="#">Schneider Electric declaration of conformity</a>
REACH	Reference not containing SVHC above the threshold <a href="#">Reference not containing SVHC above the threshold</a>
Product environmental profile	Available <a href="#">Product Environmental Profile</a>
Product end of life instructions	Available <a href="#">End of Life Information</a>

## Contractual warranty

Warranty period	18 months
-----------------	-----------

Dimensions



- (1) Output LED
- (2) 1 tapped entry for Pg 13.5 cable gland
- (3) 2 elongated holes  $\varnothing 5.3 \times 7$

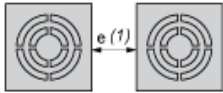
---

Setting-up

---

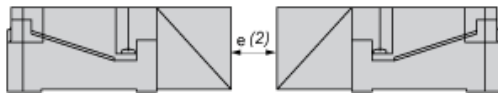
Minimum Mounting Distances (mm)

Side by Side



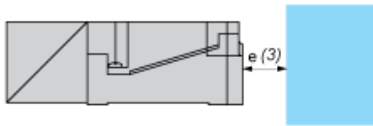
$$e (1) \geq 80$$

Face to Face



$$e (2) \geq 160$$

Facing a Metal Object



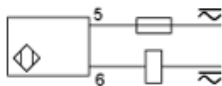
$$e (3) \geq 60$$

---

## Wiring Schemes

---

2-Wire AC or DC Programmable, NO or NC Output Depending on Position of Link



XS8C40MP230 may be replaced by any of the following products:

---



### Inductive sensors XS XS8C4A1MPG13

inductive sensor XS8 40x40x117 - PBT - Sn20 mm - 24..240VAC/DC - terminals

Qty 1

Reason for Substitution: End of life | Substitution date: 01 July 2013

---



### Inductive sensors XS XS8C4A1MPP20

inductive sensor XS8 40x40x117 - PBT - Sn20 mm - 24..240VAC/DC - terminals

Qty 1

Reason for Substitution: End of life | Substitution date: 12 September 2013

---