

Main

Range of product	OsiSense XS
Series name	General purpose
Sensor type	Inductive proximity sensor
Device application	-
Sensor name	XS8
Sensor design	Form 40 x 40 x 117
Size	117 mm
Body type	Fixed
Detector flush mounting acceptance	Non flush mountable
Material	Plastic
Enclosure material	Plastic
Type of output signal	Discrete
Wiring technique	2-wire
[Sn] nominal sensing distance	20 mm
Discrete output function	1 NO or 1 NC programmable
Output circuit type	DC
Electrical connection	Screw-clamp terminals, clamping capacity: 2 x 1.5 mm ²
[Us] rated supply voltage	12...48 V DC with reverse polarity protection
Switching capacity in mA	1.5...100 mA with overload and short-circuit protection
IP degree of protection	IP67 conforming to IEC 60529

Complementary

Detection face	5 positions turret head
Front material	Plastic
Operating zone	0...16 mm
Differential travel	3...20% of Sr
Repeat accuracy	<= 3% of Sr

Status LED	1 LED yellow for output state
Supply voltage limits	10...58 V DC
Residual current	<= 0.5 mA for open state
Switching frequency	<= 800 Hz
Voltage drop	<= 4 V at closed state
Delay first up	<= 5 ms
Delay response	<= 2 ms
Delay recovery	<= 7 ms
Marking	CE
Height	40 mm
Length	40 mm
Width	117 mm

Environment

Product certifications	CCC CSA UL
Ambient air temperature for operation	-25...70 °C

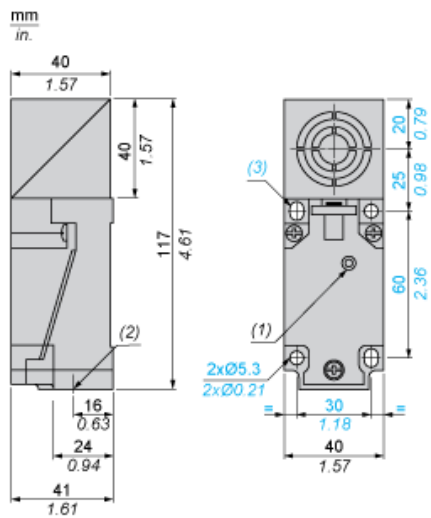
Offer Sustainability

Sustainable offer status	Green Premium product
RoHS (date code: YYWW)	Compliant - since 0836 - Schneider Electric declaration of conformity Schneider Electric declaration of conformity
REACH	Reference not containing SVHC above the threshold Reference not containing SVHC above the threshold
Product environmental profile	Available Product Environmental Profile
Product end of life instructions	Available End of Life Information

Contractual warranty

Warranty period	18 months
-----------------	-----------

Dimensions

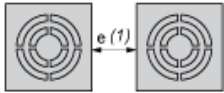


- (1) Output LED
- (2) 1 tapped entry for Pg 13.5 cable gland
- (3) 2 elongated holes $\varnothing 5.3 \times 7$

Setting-up

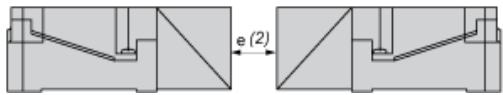
Minimum Mounting Distances (mm)

Side by Side



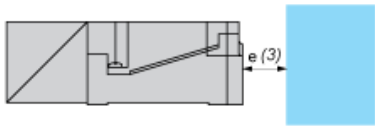
$$e (1) \geq 80$$

Face to Face



$$e (2) \geq 160$$

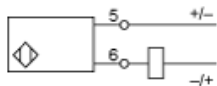
Facing a Metal Object



$$e (3) \geq 60$$

Wiring Schemes

2-Wire DC (Non Polarised)



XS8C40DP210 may be replaced by any of the following products:



Inductive sensors XS XS8C4A1DPG13

inductive sensor XS8 40x40x117 - PBT - Sn20 mm - 12..48VDC - terminals

Qty 1

Reason for Substitution: End of life | Substitution date: 01 July 2013



Inductive sensors XS XS8C4A1DPP20

inductive sensor XS8 40x40x117 - PBT - Sn20 mm - 12..48VDC - terminals

Qty 1

Reason for Substitution: End of life | Substitution date: 01 May 2013
