



Main

| | |
|------------------------------------|--|
| Range of product | OsiSense XS |
| Series name | General purpose |
| Sensor type | Inductive proximity sensor |
| Device application | - |
| Sensor name | XS8 |
| Sensor design | Flat form 40 x 40 x 15 |
| Size | 15 mm |
| Body type | Fixed |
| Detector flush mounting acceptance | Non flush mountable |
| Material | Plastic |
| Enclosure material | PBT |
| Type of output signal | Discrete |
| Wiring technique | 2-wire |
| [Sn] nominal sensing distance | 15 mm flush mountable 25 mm non flush mountable |
| Discrete output function | 1 NO |
| Output circuit type | AC/DC |
| Electrical connection | Cable |
| Cable length | 2 m |
| [Us] rated supply voltage | 24...240 V AC/DC 50/60 Hz |
| Switching capacity in mA | 5...200 mA DC 5...300 mA AC |
| IP degree of protection | IP68 double insulation conforming to IEC 60529 |

Complementary

| | |
|----------------------|---------------------------|
| Detection face | Frontal |
| Front material | PBT |
| Fine adjustment zone | 8...15 mm flush mountable |

8...25 mm non flush mountable

| | |
|--------------------------|--------------------------|
| Differential travel | 1...15% of Sr |
| Cable composition | 2 x 0.34 mm ² |
| Wire insulation material | PvR |
| Supply voltage limits | 20...264 V AC/DC |
| Residual current | <= 1.5 mA for open state |
| Switching frequency | <= 1000 Hz |
| Voltage drop | <= 5.5 V at closed state |
| Current consumption | <= 10 mA at no-load |
| Delay first up | <= 10 ms |
| Delay response | <= 0.3 ms |
| Delay recovery | <= 0.8 ms |
| Marking | CE |
| Depth | 15 mm |
| Height | 40 mm |
| Width | 40 mm |
| Product weight | 0.09 kg |

Environment

| | |
|---------------------------------------|---|
| Product certifications | CCC CSA UL Ecolab |
| Ambient air temperature for operation | -25...70 °C |
| Ambient air temperature for storage | -40...85 °C |
| Vibration resistance | 25 gn amplitude = +/- 2 mm (f = 10...55 Hz) conforming to IEC 60068-2-6 |
| Shock resistance | 50 gn for 11 ms conforming to IEC 60068-2-27 |

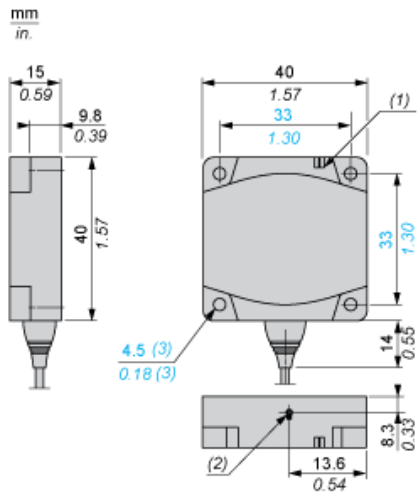
Offer Sustainability

| | |
|----------------------------------|--|
| Sustainable offer status | Green Premium product |
| RoHS (date code: YYWW) | Compliant Schneider Electric declaration of conformity |
| REACH | Reference not containing SVHC above the threshold Reference not containing SVHC above the threshold |
| Product environmental profile | Available Product Environmental Profile |
| Product end of life instructions | Need no specific recycling operations End of Life Information |

Contractual warranty

| | |
|-----------------|-----------|
| Warranty period | 18 months |
|-----------------|-----------|

Dimensions

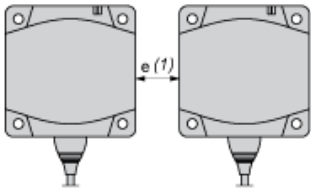


- (1) LED
- (2) Teach mode button
- (3) For CHC type screws

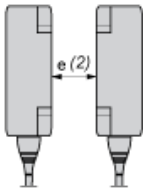
Setting-up

Minimum Mounting Distances (mm)

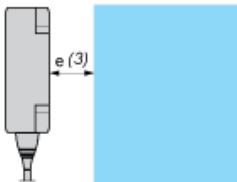
Side by Side



Face to Face



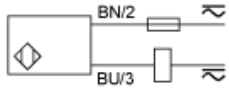
Facing a Metal Object



| | e (1) | e (2) | e (3) |
|-------------------|-------|-------|-------|
| Flush mounted | 60 | 120 | 15 |
| Not flush mounted | 125 | 250 | |

Wiring Schemes

2-Wire NO Output



BU : Blue
BN : Brown