



Main

Range of product	Preventa Safety automation
Product or component type	Preventa safety module
Safety module name	XPSVC
Safety module application	For enabling switch monitoring
Function of module	Switch monitoring
Safety level	Can reach PL e/category 4 conforming to EN/ISO 13849-1 Can reach SILCL 3 conforming to EN/IEC 62061
Safety reliability data	DC > 99 % conforming to EN/ISO 13849-1 PFHd = 1.3E-8 1/h conforming to EN/IEC 62061 MTTFd = 50 years conforming to EN/ISO 13849-1
[Us] rated supply voltage	24 V DC (- 20...20 %)
Output type	Relay 2 NO, volt-free
Number of additional circuits	2 solid state outputs

Complementary

Power consumption in W	<= 2.5 W
Input protection type	Internal, electronic
[Uc] control circuit voltage	24 V DC
Line resistance	100 Ohm
Breaking capacity	C300 : holding 180 VA AC-15 for relay output C300 : inrush 1800 VA AC-15 for relay output
Breaking capacity	1.5 A / 24 V - L/R = 50 ms, DC-13 for relay output
Output thermal current	4.2 A per relay for relay output
[Ith] conventional free air thermal current	<= 8.4 A
Associated fuse rating	4 A gG for relay output 6 A fast blow for relay output
Minimum output current	10 mA for relay output
Minimum output voltage	17 V for relay output
Response time on input open	<= 20 ms
[Ui] rated insulation voltage	300 V, degree of pollution 2 conforming to IEC 60947-5-1 300 V, degree of pollution 2 conforming to DIN VDE 0110 part 1
[Uimp] rated impulse withstand voltage	4 kV overvoltage category III, conforming to IEC 60947-5-1 4 kV overvoltage category III, conforming to DIN VDE 0110 part 1

Local signalling	3 LEDs
Connections - terminals	<p>Captive screw clamp terminals, clamping capacity: 1 x 0.25...1 x 2.5 mm² flexible cable with cable end, without bezel</p> <p>Captive screw clamp terminals, clamping capacity: 1 x 0.25...1 x 1.5 mm² flexible cable with cable end, with bezel</p> <p>Captive screw clamp terminals, clamping capacity: 2 x 0.25...2 x 1 mm² flexible cable with cable end, without bezel</p> <p>Captive screw clamp terminals, clamping capacity: 2 x 0.5...2 x 1.5 mm² flexible cable with cable end, with double bezel</p> <p>Captive screw clamp terminals, clamping capacity: 1 x 0.14...1 x 2.5 mm² flexible cable without cable end</p> <p>Captive screw clamp terminals, clamping capacity: 1 x 0.14...1 x 2.5 mm² solid cable without cable end</p> <p>Captive screw clamp terminals, clamping capacity: 2 x 0.14...2 x 0.75 mm² flexible cable without cable end</p> <p>Captive screw clamp terminals, clamping capacity: 2 x 0.14...2 x 0.75 mm² solid cable without cable end</p>
Current consumption	8 mA / 24 V DC on power supply
Mounting support	35 mm symmetrical DIN rail
Product weight	0.25 kg

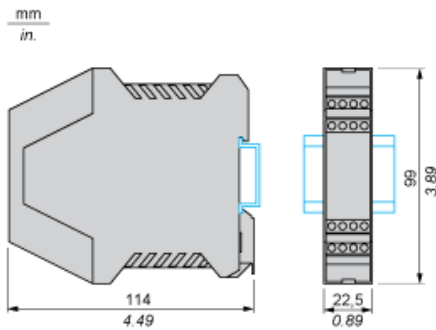
Environment

Standards	<p>EN/IEC 60947-5-1</p> <p>EN/IEC 60204-1</p> <p>EN 61326 + A1</p>
Product certifications	<p>CSA</p> <p>TÜV</p> <p>UL</p>
IP degree of protection	<p>IP20(terminals) conforming to EN/IEC 60529</p> <p>IP40(enclosure) conforming to EN/IEC 60529</p>
Ambient air temperature for operation	-10...55 °C
Ambient air temperature for storage	-25...85 °C

Contractual warranty

Warranty period	18 months
-----------------	-----------

Dimensions



XPSVC1132 is replaced by:



Enabling movement XPSUS12AP

Preventa module Cat.4 features 2*XPSUAF + enabling movement 24vac/dc screw

Qty 1

Reason for Substitution: End of life | Substitution date: 01 June 2019