



Main

Range of product	Preventa Safety automation
Product or component type	Preventa safety module
Safety module name	XPSUAK
Safety module application	Monitoring antivalent contacts For emergency stop, guard and light curtain monitoring Monitoring of pressure-sensitive 4-wire protective devices
Function of module	Guard monitoring with 1 or 2 limit switches Light curtain monitoring Magnetic switch monitoring Monitoring of electro-sensitive protection equipment (ESPE) Emergency stop button with 2 NC contacts Monitoring 2 PNP sensors RFID switch Sensing mat/edges
Safety level	Can reach PL e/category 4 for normally open relay contact conforming to ISO 13849-1 Can reach SILCL 3 for normally open relay contact conforming to IEC 62061 Can reach SIL 3 for normally open relay contact conforming to IEC 61508 Can reach PL c/category 1 for normally closed relay contact conforming to ISO 13849-1 Can reach SILCL 1 for normally closed relay contact conforming to IEC 62061 Can reach SIL 1 for normally closed relay contact conforming to IEC 61508
Safety reliability data	HFT = 1 conforming to IEC 61508-1 Type = B conforming to IEC 61508-1 MTTFd > 30 years conforming to ISO 13849-1 Dcavg >= 99 % conforming to ISO 13849-1 PFHd = 1.13E-09 conforming to ISO 13849-1 HFT = 1 conforming to IEC 62061 PFHd = 1.13E-09 conforming to IEC 62061 SFF > 99% conforming to IEC 62061 PFHd = 1.13E-09 conforming to IEC 61508-1 SFF > 99% conforming to IEC 61508-1
Electrical circuit type	NC pair PNP pair Antivalent pair OSSD pair
Connections - terminals	Removable screw terminal block 0.2...2.5 mm ² solid or flexible Removable screw terminal block 0.25...2.5 mm ² flexible with ferrule single conductor Removable screw terminal block 0.2...1.5 mm ² solid or flexible twin conductor Removable screw terminal block 2 x 0.25...1 mm ² flexible with ferrule without cable end, with bezel Removable screw terminal block 2 x 0.5...1.5 mm ² flexible with ferrule with cable end, with bezel
[Us] rated supply voltage	48...230 V AC/DC - 10...10 %

Disclaimer: This documentation is not intended as a substitute for and is not to be used for determining suitability or reliability of these products for specific user applications

Complementary

Synchronisation time between inputs	0.5 s 4 s 2 s
Type of start	Automatic/manual/monitored
Power consumption in W	3 W 48 V DC
Power consumption in VA	6.5 VA 240 V AC 50/60 Hz
Input protection type	Internal, electronic
Safety outputs	2 NO + 1 NC
Safety inputs	2 safety input 24 V DC 5 mA
Line resistance	<= 60 Ohm
Input compatibility	Normally closed circuit conforming to ISO 14119 XC limit switch conforming to ISO 14119 Mechanical contact conforming to ISO 14119 Normally closed circuit conforming to ISO 13850 Antivalent pair conforming to ISO 14119 OSSD pair conforming to IEC 61496-1-2 3-wire proximity sensors PNP
Output type	Relay output : 250 V AC AC-1 B300 for normally open relay contact Relay output : 250 V AC AC-15 D300 for normally closed relay contact Relay output : 24 V DC DC-1 R300 for normally open relay contact Relay output : 24 V DC DC-13 R300 for normally closed relay contact
[Ie] rated operational current	5 A AC-1 for normally open relay contact 3 A AC-15 for normally open relay contact 5 A DC-1 for normally open relay contact 3 A DC-13 for normally open relay contact 3 A AC-1 for normally closed relay contact 1 A AC-15 for normally closed relay contact 1 A DC-13 for normally closed relay contact 3 A DC-1 for normally closed relay contact
Control outputs	3 on/off pulsed output configurable
Input/Output type	Semiconductor pulsed diagnostic output 24 V DC 20 mA Z1 not safety-related
[Ith] conventional free air thermal current	8 A
Associated fuse rating	10 A gGFor NO relay output circuit conforming to IEC 60947-1
Minimum output current	10 mAFor relay output
Minimum output voltage	12 VFor relay output
Response time on input open	<= 20 ms
[Ui] rated insulation voltage	250 V (pollution degree 2) conforming to EN/IEC 60947-1
[Uimp] rated impulse withstand voltage	4 kV overvoltage category II conforming to EN/IEC 60947-1
Local signalling	Power ON: LED (green) Error: LED (red) Start: LED (yellow) Safety status: LED (yellow) Safety input S12: LED (yellow) Safety input S22: LED (yellow)
Mounting support	35 mm symmetrical DIN rail
Depth	120 mm
Height	100 mm
Width	22.5 mm
Product weight	0.2 kg

Environment

Ambient air temperature for operation	-25...55 °C
Standards	IEC 60947-5-1 IEC 61508-1 functional safety standard IEC 61508-2 functional safety standard IEC 61508-3 functional safety standard IEC 61508-4 functional safety standard IEC 61508-5 functional safety standard

IEC 61508-6 functional safety standard
IEC 61508-7 functional safety standard
ISO 13849-1 functional safety standard
IEC 62061 functional safety standard

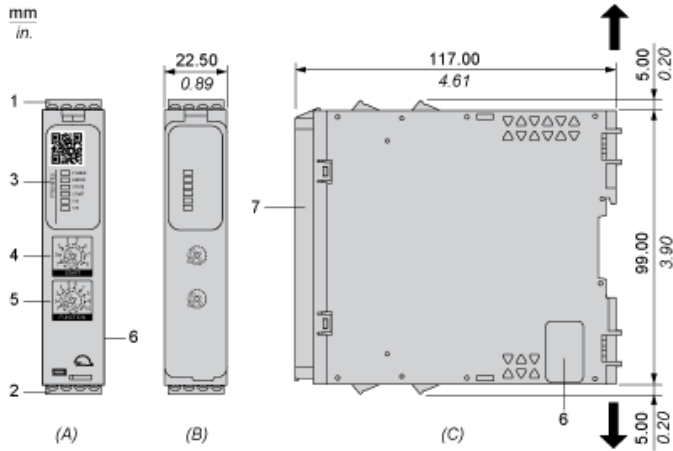
Product certifications	cULus TÜV
IP degree of protection	IP40 (housing) conforming to EN/IEC 60529 IP54 (mounting area) conforming to EN/IEC 60529 IP20 (terminals) conforming to EN/IEC 60529
Relative humidity	5...95 % non-condensing

Offer Sustainability

RoHS (date code: YYWW)	Compliant - since 1810 - Schneider Electric declaration of conformity Schneider Electric declaration of conformity
REACH	Reference not containing SVHC above the threshold Reference not containing SVHC above the threshold

Dimensions

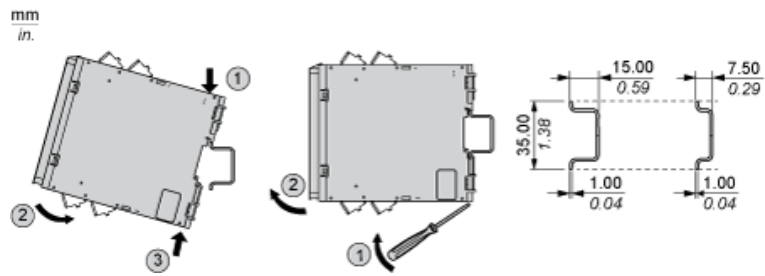
Front and Side Views



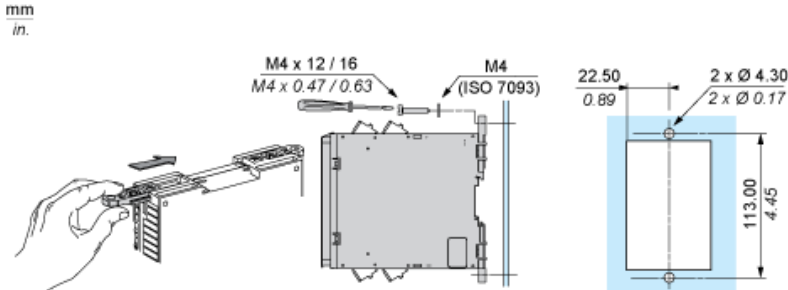
- (A) : Product drawing
- (B) : Screw clamp terminal
- (C) : Side view
- (1) : Removable terminal blocks, top
- (2) : Removable terminal blocks, bottom
- (3) : LED indicators
- (4) : Start function selector
- (5) : Function selector
- (6) : Connector for optional output extension module (lateral)
- (7) : Sealable transparent cover

mm	7.0-8.0					
in.	0.28-0.31					
mm ²	0,2... 2,5	0,25...2,5	0,2...1,5	0,25...1	0,5...1,5	
AWG	24... 12	24...12	24...16	24...18	20...16	
	Ø 3,5 mm (0,14 in)			Nm	0.5... 0.6	
				lb-in	4,4... 5,3	

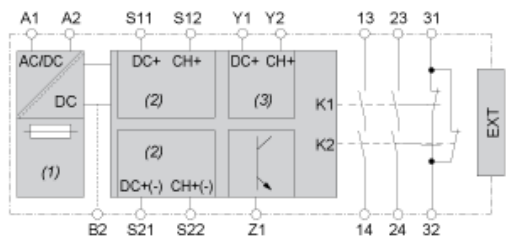
Mounting to DIN rail



Screw-mounting



Wiring Drawing



- (1) : A1-A2 (Power supply)
- (2) : S11-S12-S21-S22 (Single-channel safety input)
- (3) : Y1-Y2 (Start)
- 13-23-31-14-24-32 : Output
- EXT : Connector for optional extension module
- B2 : Common ground terminal
- Z1 : Pulsed output for diagnostics, not safety-related