



### Main

Range of product	Preventa Safety automation
Product or component type	Preventa safety module
Safety module name	XPSECPE
Safety module application	Increasing the number of safety contacts
Function of module	Increasing the number of safety contacts
Safety level	Can reach PL e/category 4 conforming to EN/ISO 13849-1 can reach the maximum safety level of module base Can reach SILCL 3 conforming to EN/IEC 62061 can reach the maximum safety level of module base
Safety reliability data	DC = 0...99 % conforming to EN/ISO 13849-1 MTTFd > 100 years conforming to EN/ISO 13849-1 PFHd = 2.47E-8 1/h conforming to EN/IEC 62061
Output type	Relay 8 NO, volt-free
[Us] rated supply voltage	24 V AC (- 15...10 %) 24 V DC (- 15...10 %)
Number of additional circuits	2 NC + 1 solid state output

### Complementary

Supply frequency	50/60 Hz
Power consumption in VA	<= 4 VA
Input protection type	Internal, electronic
Breaking capacity	B300 : holding 360 VA AC-15 for relay output B300 : inrush 3600 VA AC-15 for relay output
Breaking capacity	20 mA / 24 V for solid state output circuit 3 A / 24 V - L/R = 50 ms, DC-13 for relay output
Output thermal current	6 A per relay for relay output
[Ith] conventional free air thermal current	< 24 A for relay output
Associated fuse rating	6 A gG for relay output conforming to EN/IEC 60947-5-1, DIN VDE 0660 part 200
Minimum output current	10 mA for relay output
Minimum output voltage	5 V for relay output
Response time on input open	<= 10 ms
[Ui] rated insulation voltage	300 V, degree of pollution 2 conforming to EN/IEC 60947-5-1, DIN VDE 0110 parts 1 & 2
[Uimp] rated impulse withstand voltage	4 kV overvoltage category III, conforming to EN/IEC 60947-5-1, DIN VDE 0110 parts 1 & 2

Disclaimer: This documentation is not intended as a substitute for and is not to be used for determining suitability or reliability of these products for specific user applications

Local signalling	3 LEDs
Connections - terminals	<p>Spring terminals, removable terminal block, clamping capacity: 1 x 0.2...1 x 2.5 mm<sup>2</sup> solid cable without cable end</p> <p>Spring terminals, removable terminal block, clamping capacity: 1 x 0.2...1 x 2.5 mm<sup>2</sup> flexible cable without cable end</p> <p>Spring terminals, removable terminal block, clamping capacity: 1 x 0.25...1 x 2.5 mm<sup>2</sup> flexible cable with cable end, without bezel</p> <p>Spring terminals, removable terminal block, clamping capacity: 1 x 0.25...1 x 1.5 mm<sup>2</sup> flexible cable with cable end, with bezel</p> <p>Spring terminals, removable terminal block, clamping capacity: 2 x 0.2...2 x 1 mm<sup>2</sup> solid cable without cable end</p> <p>Spring terminals, removable terminal block, clamping capacity: 2 x 0.2...2 x 1 mm<sup>2</sup> flexible cable without cable end</p> <p>Spring terminals, removable terminal block, clamping capacity: 2 x 0.25...2 x 1 mm<sup>2</sup> flexible cable with cable end, without bezel</p> <p>Spring terminals, removable terminal block, clamping capacity: 2 x 0.5...2 x 1.5 mm<sup>2</sup> flexible cable with cable end, with double bezel</p>
Mounting support	35 mm symmetrical DIN rail
Product weight	0.65 kg

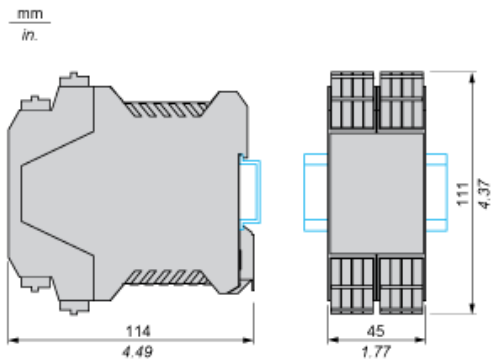
## Environment

Standards	EN/IEC 60204-1 EN/IEC 60947-5-1
Product certifications	CSA TÜV UL
IP degree of protection	IP20(terminals) conforming to EN/IEC 60529 IP40(enclosure) conforming to EN/IEC 60529
Ambient air temperature for operation	-25...55 °C
Ambient air temperature for storage	-25...70 °C

## Contractual warranty

Warranty period	18 months
-----------------	-----------

## Dimensions



XPSECPE5131C is replaced by:



### Other functions XPSECPE5130C

module XPSEC - increasing the number of safety contacts - 24 V AC DC - spring

Qty 1

Reason for Substitution: End of life | Substitution date: 24 May 2017