



Main

Range of product	Preventa Safety automation
Product or component type	Preventa safety module
Safety module name	XPSECME
Safety module application	Increasing the number of safety contacts
Function of module	Increasing the number of safety contacts
Safety level	Can reach PL e/category 4 conforming to EN/ISO 13849-1 can reach the maximum safety level of module base Can reach SILCL 3 conforming to EN/IEC 62061 can reach the maximum safety level of module base
Safety reliability data	MTTFd = 100 years conforming to EN/ISO 13849-1 DC = 60...90 % conforming to EN/ISO 13849-1 PFHd = 2E-7 1/h conforming to EN/IEC 62061
Output type	Relay 4 NO, volt-free
[Us] rated supply voltage	24 V AC/DC (- 15...10 %)
Number of additional circuits	3 NC

Complementary

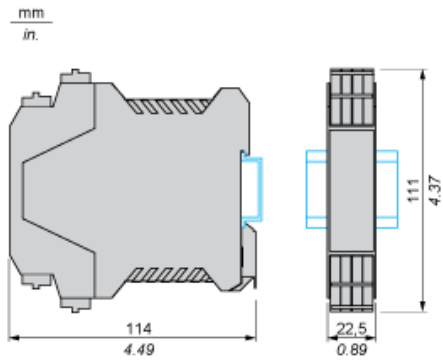
Supply frequency	50/60 Hz
Power consumption in VA	<= 5 VA
Input protection type	Internal, electronic
Breaking capacity	B300 : holding 360 VA AC-15 for relay output B300 : inrush 3600 VA AC-15 for relay output
Breaking capacity	1.5 A / 24 V - L/R = 50 ms, DC-13 for relay output 20 mA / 24 V for solid state output circuit
Output thermal current	6 A per relay for relay output
[I _{th}] conventional free air thermal current	< 12 A for relay output
Associated fuse rating	6 A gG for relay output conforming to EN/IEC 60947-5-1, DIN VDE 0660 part 200
Minimum output current	10 mA for relay output
Minimum output voltage	17 V for relay output
Response time on input open	<= 20 ms
[U _i] rated insulation voltage	300 V, degree of pollution 2 conforming to EN/IEC 60947-5-1, DIN VDE 0110 parts 1 & 2
[U _{imp}] rated impulse withstand voltage	4 kV overvoltage category III, conforming to EN/IEC 60947-5-1, DIN VDE 0110 parts 1 & 2
Local signalling	2 LEDs

Connections - terminals	<p>Spring terminals, removable terminal block, clamping capacity: 1 x 0.2...1 x 2.5 mm² solid cable without cable end</p> <p>Spring terminals, removable terminal block, clamping capacity: 1 x 0.2...1 x 2.5 mm² flexible cable without cable end</p> <p>Spring terminals, removable terminal block, clamping capacity: 1 x 0.25...1 x 2.5 mm² flexible cable with cable end, without bezel</p> <p>Spring terminals, removable terminal block, clamping capacity: 1 x 0.25...1 x 2.5 mm² flexible cable with cable end, with bezel</p> <p>Spring terminals, removable terminal block, clamping capacity: 2 x 0.5...2 x 1 mm² flexible cable with cable end, with double bezel</p>
Mounting support	35 mm symmetrical DIN rail
Product weight	0.27 kg

Environment

Standards	<p>EN/IEC 60947-5-1</p> <p>EN/IEC 60204-1</p>
Product certifications	<p>UL</p> <p>BG</p> <p>CSA</p> <p>CCC</p>
IP degree of protection	<p>IP20 (terminals) conforming to EN/IEC 60529</p> <p>IP40 (enclosure) conforming to EN/IEC 60529</p>
Ambient air temperature for operation	-25...55 °C
Ambient air temperature for storage	-25...75 °C

Dimensions



XPSECME5120C is replaced by:



Expansion Module XPSUEP14AC

Preventa module Cat.4 Expansion use with Universal range 24vac/dc spring

Qty 1

Reason for Substitution: End of life | Substitution date: 01 June 2019