



### Main

Range of product	Harmony XPE
Accessory / separate part designation	Hand grip for protective cover
Accessory / separate part type	Hand grip
Accessory / separate part category	Separate parts
Product compatibility	XPEZ911 XPEZ901
Accessory / separate part destination	Protective cover

### Complementary

Product weight	0.45 kg
----------------	---------

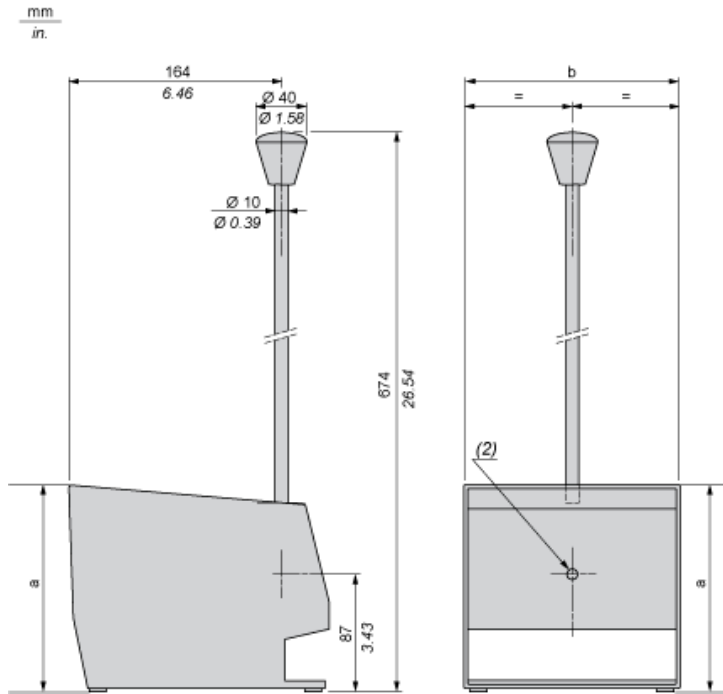
### Contractual warranty

Warranty period	18 months
-----------------	-----------

Disclaimer: This documentation is not intended as a substitute for and is not to be used for determining suitability or reliability of these products for specific user applications.

Hand Grip for Protective Cover

Dimensions



- (1) 2 tapped entries for n° 16 (Pg 16) cable gland. For ISO M20, use adaptor DE9R1620.  
(2) 1 Ø 6 plain hole.

Dimensions in mm

a		b	
Single pedal	Double pedal	Single pedal	Double pedal
152	155	160	295

Dimensions in in.

a		b	
Single pedal	Double pedal	Single pedal	Double pedal
5.98	6.10	6.30	11.61