



Main

| | |
|---------------------------|--|
| Range of product | OsiSense XM |
| Product or component type | Electronic pressure sensors |
| Pressure sensor type | Pressure transmitter |
| Pressure sensor name | XMLP |
| Electrical circuit type | Control circuit |
| Pressure sensor size | 100 bar |
| Local display | Without |
| Controlled fluid | Fresh water 0...120 °C Air -30...120 °C Hydraulic oil -30...120 °C Gas -30...120 °C Refrigeration fluid -30...120 °C |
| Fluid connection type | G 1/4A (male) conforming to DIN 3852-A |
| Electrical connection | 1 male connector M12 4 pins |
| [Us] rated supply voltage | 5 V DC SELV, voltage limits: 4.5...5.5 V |
| Current consumption | < 5 mA |
| Type of output signal | Analogue |
| Analogue output function | 0.5...4.5 V, 3-wire |
| Quantity per set | Set of 40 |
| Type of packing | Group |

Complementary

| | |
|---|---|
| Pressure setting range | 0...100 bar |
| Maximum permissible accidental pressure | 200 bar |
| Destruction pressure | 600 bar |
| Materials in contact with fluid | Stainless steel type 17-4PH Stainless steel type AISI 304 |
| Operating position | Any position |
| Protection type | Load short-circuit Reverse polarity |
| Electromagnetic compatibility | Susceptibility to electromagnetic fields conforming to EN/IEC 61000-4-3 - test level 10 V/m (f = 80...1000 MHz) Electrical fast transient/burst immunity test conforming to EN/IEC 61000-4-4 - test level 2 kV |

Disclaimer: This documentation is not intended as a substitute for and is not to be used for determining suitability or reliability of these products for specific user applications

1.2/50 μ s shock waves immunity test conforming to EN/IEC 61000-4-5 - test level 500 V 12 Ohm, 1 kV 42 Ohm
 Radiated RF fields conforming to EN/IEC 61000-4-6 - test level 10 V (f = 0.15...80 MHz)
 Electrostatic discharge immunity test conforming to EN/IEC 61000-4-2 - test level 8 kV air, 4 kV contact

| | |
|--|----------------------------------|
| [Uimp] rated impulse withstand voltage | 0.5 kV |
| Response time on output | < 5 ms for 92 % of full scale |
| Measurement accuracy | +/- 0.5 % of the measuring range |
| Resolution | Infinity |
| Drift of the sensitivity | +/- 0.02 % of measuring range/°K |
| Drift of the zero point | +/- 0.02 % of measuring range/°K |
| Long term stability | +/- 0.2 % of the measuring range |
| Mechanical durability | >= 10000000 cycles |
| Product weight | 0.05 kg |
| Diameter | 30 mm |
| Length | 26 mm |

Environment

| | |
|---------------------------------------|---|
| Standards | CE EN/IEC 61326-1 |
| Product certifications | cULus RCM EAC |
| Protective treatment | TC |
| Ambient air temperature for operation | -30...100 °C |
| Ambient air temperature for storage | -30...100 °C |
| Vibration resistance | 20 gn (f = 10...2000 Hz) conforming to EN/IEC 60068-2-64 |
| Shock resistance | 25 gn for 11 ms conforming to EN/IEC 60068-2-27 |
| IP degree of protection | IP65 conforming to EN/IEC 60529 IP67 conforming to EN/IEC 60529 IP69K conforming to DIN 40050 |

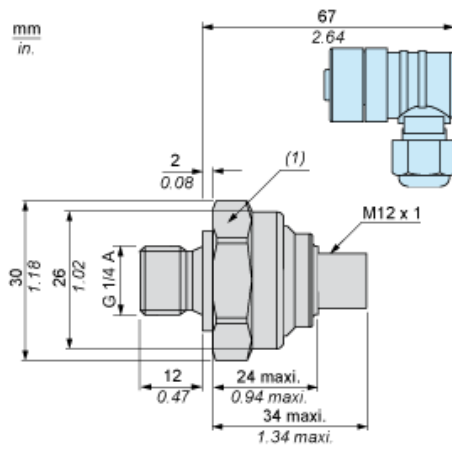
Offer Sustainability

| | |
|------------------------|---|
| RoHS (date code: YYWW) | Compliant - since 1136 - Schneider Electric declaration of conformity Schneider Electric declaration of conformity |
|------------------------|---|

Contractual warranty

| | |
|-----------------|-----------|
| Warranty period | 18 months |
|-----------------|-----------|

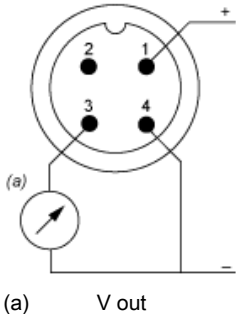
Dimensions



(1) SW27 Tightening torque ≤ 25 Nm / 221 Lb-in

Wiring Diagram

3-Wire Technique (0.5 – 4.5 V)



Curves

