

Product data sheet

Characteristics

XMLK200P2D23

pressure sensor XMLK - 0..200psi - 1/4NPT -
4..20mA - M12 - set of 1



Main

| | |
|---------------------------|--|
| Range of product | OsiSense XM |
| Product or component type | Electronic pressure sensors |
| Pressure sensor type | Pressure transmitter |
| Pressure sensor name | XMLK |
| Electrical circuit type | Control circuit |
| Pressure sensor size | 200 psi |
| Local display | Without |
| Controlled fluid | Air 0...80 °C Fresh water 0...80 °C |
| Fluid connection type | 1/4" - 18 NPT (male) |
| Electrical connection | 1 male connector M12 4 pins |
| [Us] rated supply voltage | 24 V DC SELV, voltage limits: 8...33 V |
| Current consumption | < 20 mA |
| Type of output signal | Analogue |
| Analogue output function | 4...20 mA, 2-wire |
| Quantity per set | Set of 1 |
| Type of packing | Individual |

Complementary

| | |
|---|---|
| Pressure setting range | 0...200 psi |
| Maximum permissible accidental pressure | 400 psi |
| Destruction pressure | 600 psi |
| Materials in contact with fluid | Ceramic Nitrile (NBR) Stainless steel type AISI 303 |
| Operating position | Any position |
| Protection type | Reverse polarity Load short-circuit |
| Electromagnetic compatibility | Electrostatic discharge immunity test conforming to EN/IEC 61000-4-2 - test level 8 kV air, 6 kV contact Susceptibility to electromagnetic fields conforming to EN/IEC 61000-4-3 - test level 10 V/m (f = 80...1000 MHz) Electrical fast transient/burst immunity test conforming to EN/IEC 61000-4-4 - test level 2 kV |

Disclaimer: This documentation is not intended as a substitute for and is not to be used for determining suitability or reliability of these products for specific user applications

1.2/50 μ s shock waves immunity test conforming to EN/IEC 61000-4-5 - test level 500 V 12 Ohm, 1 kV 42 Ohm
 Radiated RF fields conforming to EN/IEC 61000-4-6 - test level 10 V (f = 0.15...80 MHz)
 Immunity to magnetic fields conforming to EN/IEC 61000-4-8 - test level 30 A/m (f = 50 Hz)

| | |
|--|----------------------------------|
| [Uimp] rated impulse withstand voltage | 0.5 kV |
| Response time on output | < 5 ms |
| Measurement accuracy | +/- 1 % of the measuring range |
| Resolution | 0.1 % of the measuring range |
| Drift of the sensitivity | +/- 0.04 % of measuring range/°K |
| Drift of the zero point | +/- 0.03 % of measuring range/°K |
| Long term stability | +/- 1 % of the measuring range |
| Mechanical durability | >= 10000000 cycles |
| Product weight | 0.11 kg |
| Diameter | 36 mm |
| Length | 65.5 mm |
| Scale type | Fixed differential |

Environment

| | |
|---------------------------------------|--|
| Standards | EN/IEC 61326-2-3 CE |
| Product certifications | UL 508 EAC CSA C22.2 No 14 RCM |
| Protective treatment | TC |
| Ambient air temperature for operation | 0...80 °C |
| Ambient air temperature for storage | -25...80 °C |
| Vibration resistance | 20 gn (f = 9...2000 Hz) conforming to EN/IEC 60068-2-6 |
| Shock resistance | 25 gn for 11 ms conforming to EN/IEC 60068-2-27 |
| IP degree of protection | IP65 conforming to EN/IEC 60529 |
| NEMA degree of protection | NEMA 4 |

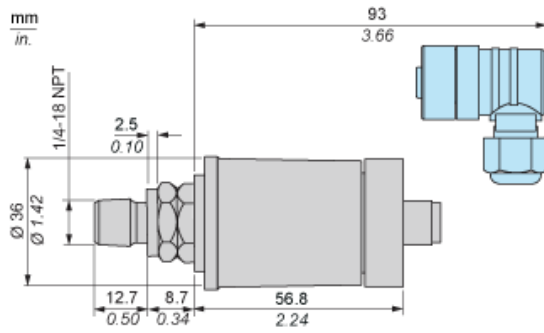
Offer Sustainability

| | |
|------------------------|---|
| RoHS (date code: YYWW) | Compliant - since 1001 - Schneider Electric declaration of conformity Schneider Electric declaration of conformity |
| REACH | Reference not containing SVHC above the threshold Reference not containing SVHC above the threshold |

Contractual warranty

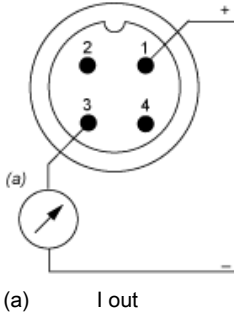
| | |
|-----------------|-----------|
| Warranty period | 18 months |
|-----------------|-----------|

Dimensions



Wiring Diagram

2-Wire Technique (4-20 mA)



Output Curves

