

Main

Accessory / separate part type	Display
Display type	Digital display
Operating position	Any position
Product compatibility	XMLE analogue pressure sensors 0...10 bar, connector type: EN 175301-803-A (ex DIN43650) XMLP analogue pressure sensors, connector type: EN 175301-803-A (ex DIN43650)

Complementary

Net weight	0.1 kg
Height	66 mm
Depth	40 mm
Width	92 mm

Environment

Protective treatment	TC
IP degree of protection	IP65 conforming to EN/IEC 60529
Vibration resistance	35 gn (f = 60...2000 Hz) 5 gn (f = 25...200 Hz)
Ambient air temperature for operation	-15...80 °C
Standards	CE EN 50081 EN 50082
Product certifications	CSA UL

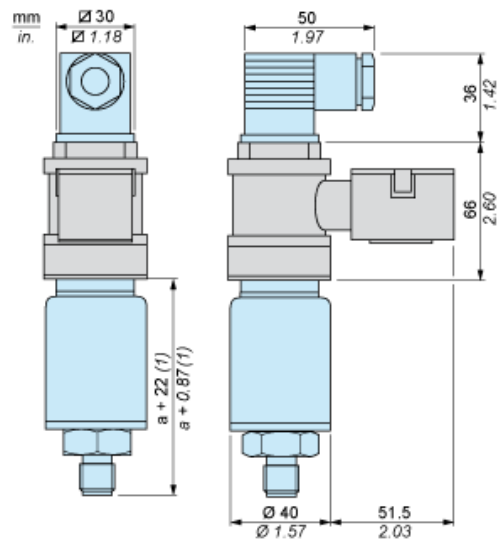
Offer Sustainability

REACH Regulation	REACH Declaration
REACH free of SVHC	Yes
EU RoHS Directive	Pro-active compliance (Product out of EU RoHS legal scope) EU RoHS Declaration
Mercury free	Yes
RoHS exemption information	Yes

Contractual warranty

Warranty	18 months
----------	-----------

Dimensions



(1) a = 65