



## Main

Range of product	Altivar
Product or component type	Line/motor choke
Product compatibility	<p>Variable speed drive ATV340 motor: 4 kW 380...480 V - line choke - 1 per drive</p> <p>ATV31CU22M2 - motor choke - 1 per drive</p> <p>ATV31CU55N4 - line choke - 1 per drive</p> <p>ATV31CU55N4 - motor choke - 1 per drive</p> <p>ATV31CU75N4 - line choke - 1 per drive</p> <p>ATV61HD11Y - line choke - 1 per drive</p> <p>ATV61HD15Y - line choke - 1 per drive</p> <p>ATV61HU30M3 - line choke - 1 per drive</p> <p>ATV61HU55N4 - line choke - 1 per drive</p> <p>ATV61HU75N4 - line choke - 1 per drive</p> <p>ATV61WU55N4 - line choke - 1 per drive</p> <p>ATV61WU55N4C - line choke - 1 per drive</p> <p>ATV61WU75N4 - line choke - 1 per drive</p> <p>ATV61WU75N4C - line choke - 1 per drive</p> <p>ATV71HD11Y - line choke - 1 per drive</p> <p>ATV71HD15Y - line choke - 1 per drive</p> <p>ATV71HU30M3 - line choke - 1 per drive</p> <p>ATV71HU55N4 - line choke - 1 per drive</p> <p>ATV71HU75N4 - line choke - 1 per drive</p> <p>ATV71PU55N4Z - line choke - 1 per drive</p> <p>ATV71PU75N4Z - line choke - 1 per drive</p> <p>ATV71WU55N4 - line choke - 1 per drive</p> <p>ATV71WU75N4 - line choke - 1 per drive</p> <p>LXM05D42M3X - line choke - 1 per drive</p> <p>ATV12HU22M2 - motor choke - 1 per drive</p> <p>ATV12HU22M3 - motor choke - 1 per drive</p> <p>ATV312HD11S6 - line choke - 1 per drive</p> <p>ATV312HU22M3 - line choke - 1 per drive</p> <p>ATV312HU30M3 - line choke - 1 per drive</p> <p>ATV312HU55N4 - line choke - 1 per drive</p> <p>ATV312HU75N4 - line choke - 1 per drive</p> <p>ATV312HU75S6 - line choke - 1 per drive</p> <p>ATV71HU75S6X - line choke - 1 per drive</p> <p>ATV312HU22M3 - motor choke - 1 per drive</p> <p>ATV312HU30M3 - motor choke - 1 per drive</p> <p>ATV312HU55N4 - motor choke - 1 per drive</p> <p>ATV312HU75S6 - motor choke - 1 per drive</p> <p>ATV312HU22M2 - motor choke - 1 per drive</p> <p>ATV12HU30M3 - motor choke - 1 per drive</p> <p>ATV12PU22M3 - motor choke - 1 per drive</p> <p>ATV12PU30M3 - motor choke - 1 per drive</p> <p>ATV61HU75S6X - line choke - 1 per drive</p>

Disclaimer: This documentation is not intended as a substitute for and is not to be used for determining suitability or reliability of these products for specific user applications

ATV32HU55N4 - line choke - 1 per drive  
 ATV32HU75N4 - line choke - 1 per drive  
 ATV32HU22M2 - motor choke - 1 per drive  
 ATV32HU55N4 - motor choke - 1 per drive  
 LXM32.D12N4 - line choke - 1 per drive  
 LXM32.U60N4 - line choke - 1 per drive  
 Variable speed drive ATV310 motor: 4 kW - line choke - 1 per drive  
 Variable speed drive ATV310 motor: 5.5 kW - line choke - 1 per drive  
 Variable speed drive ATV310 motor: 5.5 kW - motor choke - 1 per drive  
 Variable speed drive ATV340 motor: 5.5 kW 380...480 V - line choke - 1 per drive  
 Variable speed drive ATV340 motor: 7.5 kW 380...480 V - line choke - 1 per drive  
 Variable speed drive ATV320 motor: 5.5 kW 380...500 V - three phase - line choke - 1 per drive  
 Variable speed drive ATV320 motor: 7.5 kW 380...500 V - three phase - line choke - 1 per drive  
 Variable speed drive ATV320 motor: 2.2 kW 200...240 V - single phase - motor choke - 1 per drive  
 Variable speed drive ATV320 motor: 5.5 kW 380...500 V - three phase - motor choke - 1 per drive  
 Variable speed drive ATV320 motor: 2.2 kW 200...240 V - three phase - line choke - 1 per drive  
 Variable speed drive ATV320 motor: 3 kW 200...240 V - three phase - line choke - 1 per drive  
 Variable speed drive ATV320 motor: 2.2 kW 200...240 V - three phase - motor choke - 1 per drive  
 Variable speed drive ATV320 motor: 3 kW 200...240 V - three phase - motor choke - 1 per drive  
 Variable speed drive ATV320 motor: 5.5 kW 525...600 V - three phase - line choke - 1 per drive  
 Variable speed drive ATV320 motor: 7.5 kW 525...600 V - three phase - line choke - 1 per drive  
 Variable speed drive ATV320 motor: 7.5 kW 525...600 V - three phase - motor choke - 1 per drive  
 Variable speed drive ATV630 motor: 11 kW 500...690 V - three phase - line choke - 1 per drive  
 Variable speed drive ATV630 motor: 15 kW 500...690 V - three phase - line choke - 1 per drive  
 Variable speed drive ATV930 motor: 11 kW 500...690 V - three phase - line choke - 1 per drive  
 Variable speed drive ATV930 motor: 15 kW 500...690 V - three phase - line choke - 1 per drive  
 Variable speed drive ATV630 motor: 600 V - three phase - line choke - 10 hp - 1 per drive  
 Variable speed drive ATV630 motor: 600 V - three phase - line choke - 15 hp - 1 per drive  
 Variable speed drive ATV930 motor: 600 V - three phase - line choke - 10 hp - 1 per drive  
 Variable speed drive ATV930 motor: 600 V - three phase - line choke - 15 hp - 1 per drive  
 Variable speed drive ATV310L motor: 0.75 kW  
 Variable speed drive ATV310L motor: 1.5 kW  
 Variable speed drive ATV310L motor: 2.2 kW  
 Variable speed drive ATV310L motor: 3.0 kW  
 Variable speed drive ATV310L motor: 4.0 kW  
 Variable speed drive ATV310L motor: 5.5 kW

Number of phases	Three phase
Range compatibility	Altivar 61 Altivar Process ATV900 Lexium 05 Altivar 312 Solar Altivar Process ATV600 Altivar 32 Altivar 71 Lexium 62 Altivar Easy 310 Altivar 12 Altivar 31C Lexium 52 Altivar 312 Lexium 32 Altivar Machine ATV320 Altivar Machine ATV340 Altivar 310L
Device application	Reduction of current harmonics Reduction of overvoltages at motor terminals
Value of inductance	2 mH
[In] rated current	17 A
Thermal losses	75 W
Electrical connection	Terminal 6 mm <sup>2</sup> / AWG 8, 0.8...1 N.m

## Complementary

Power supply frequency	50...60 Hz
Max current	1.65 x nominal current (duration = 60 s)
Maximum voltage drop at rated load	5 %
Electrical insulation class	Class F
Minimum clearance distance	5.5 mm IEC 60664
Leakage distance	11.5 mm conforming to IEC 60664

Net weight	3.5 kg
Width	130 mm
Height	155 mm
Depth	90 mm

## Environment

Standards	VDE 0160 level 1 EN 50178 IEC 60076 (with HD398)
IP degree of protection	Choke: IP00 Terminals: IP20
Environmental characteristic	3B1 conforming to IEC 721-3-3 3C2 conforming to IEC 721-3-3 3S1 conforming to IEC 721-3-3
Pollution degree	2 conforming to EN 50178
Vibration resistance	1 gn (f= 13...200 Hz) conforming to IEC 60068-2-6 1.5 mm peak to peak (f= 3...13 Hz) conforming to IEC 60068-2-6
Shock resistance	15 gn for 11 ms conforming to IEC 60068-2-27
Relative humidity	0...95 %
Ambient air temperature for operation	45...55 °C (with current derating of 2 % per °C) 0...45 °C (without current derating)
Ambient air temperature for storage	-25...70 °C
Operating altitude	<= 1000 m without current derating 1000...3000 m with current derating 1 % per 100 m

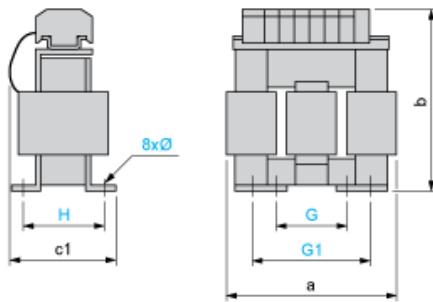
## Offer Sustainability

EU RoHS Directive	Not applicable, out of EU RoHS legal scope
Toxic heavy metal free	Yes
Mercury free	Yes
RoHS exemption information	<a href="#">Yes</a>
China RoHS Regulation	<a href="#">China RoHS declaration</a>

## Contractual warranty

Warranty	18 months
----------	-----------

Dimensions



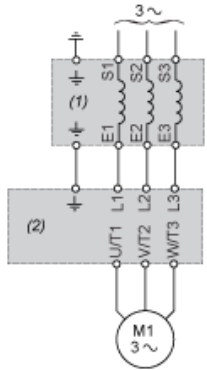
Dimensions in mm

a	b	c1	G	G1	H	Ø
130	155	90	60	80.5	62	6 x 12

Dimensions in in.

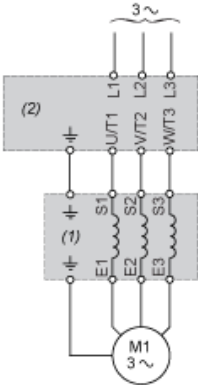
a	b	c1	G	G1	H	Ø
5.12	6.10	3.54	2.36	3.17	2.44	0.24 x 0.47

Recommended Schema - Line Choke



- (1) Line Choke
- (2) Drive

Recommended Schema - Motor Choke



- (1) Motor Choke
- (2) Drive