



Main

Range of product	Modicon M171/M172
Product or component type	Programmable controllers
Product specific application	HVAC and pumping solution
Variant	Programmable
Total inputs/outputs	3
Analogue input number	1 analog input NTC (on board) 1 analog input NTC 1 relative humidity sensor (on board)

Complementary

Number of port	1 CAN port - screw terminal block 1 Ethernet - RJ45 (Modbus TCP and BACnet IP with webservice) 1 RS485 - screw terminal block (Modbus serial link or BACnet MS/TP) 1
Input/Output number	3 analog input(s)
Analogue input type	Humidity probe 0...100 % RH - res.: 0.01 % RH NTC temperature probe - 50...110 °C - res.: 0.1 °C (extended) NTC temperature probe - 40...150 °C - res.: 0.1 °C
[Us] rated supply voltage	24 V ±10% AC 48 V DC
Power consumption in W	24 VA at 24 V AC 15 W at 20...38 V DC
Realtime clock	Without realtime clock at -20...65 °C
Display type	Without display
Overvoltage category	II
Local signalling	Without
Mounting support	DIN rail Panel mounting with accessory
Width	72 mm
Height	110 mm
Depth	60.5 mm
Product weight	0.22 kg

Disclaimer: This documentation is not intended as a substitute for and is not to be used for determining suitability or reliability of these products for specific user applications

Environment

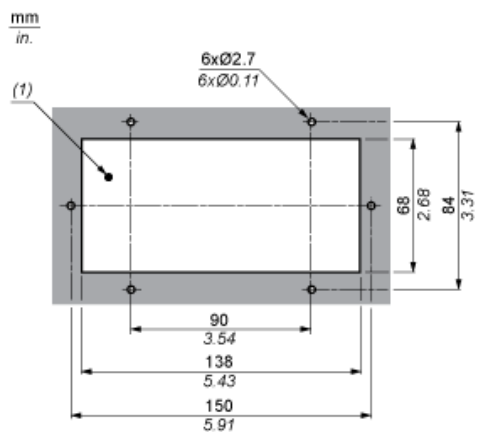
Standards	EN/IEC 60730
Product certifications	CE CSA cURus RCM EAC
Ambient air temperature for operation	-20...65 °C conforming to UL 60730-1
Ambient air temperature for storage	-20...85 °C
Relative humidity	10...90 % non-condensing
IP degree of protection	IP20
Pollution degree	2

Offer Sustainability

RoHS (date code: YYWW)	Compliant - since 1426 - Schneider Electric declaration of conformity Schneider Electric declaration of conformity
REACH	Reference not containing SVHC above the threshold Reference not containing SVHC above the threshold

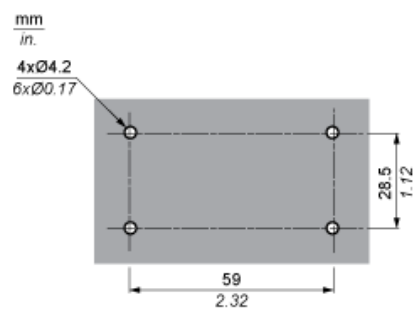
Mounting and Clearance

Panel Mounting

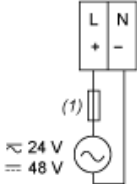


(1) Panel cut out

Wall Mounting

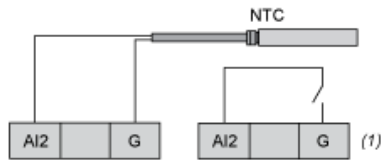


Power Supply



(1) Type T 630 mA fuse

Analog Inputs



(1) Digital input