



### Main

Range of product	Modicon M171/M172
Product or component type	Controller
Product specific application	HVAC and pumping solution
Variant	Programmable
Total inputs/outputs	14
Discrete input number	2
Discrete output number	1 for relay outputs SPDT with independent common 3 for relay outputs SPST with same common
Discrete output current	2 A for relay
Analogue input number	3 analog input NTC 2 configurable
Analogue output number	2 voltage, range: 0...10 V 2 PWM/PPM, range: 20 kHz, 12 V, 35 mA 1 current, range: 0...20 mA/4...20 mA

### Complementary

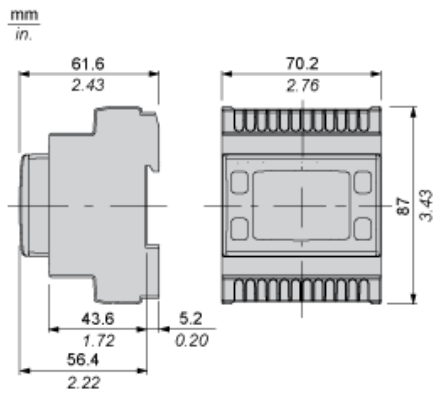
Number of port	1 LAN expansion bus 1 RS485 - screw terminal block (Modbus serial link)
Input/Output number	5 analog output(s) 4 digital output(s) 5 analog input(s)
Discrete input logic	Sink or source (positive/negative)
Contacts usage	Volt-free contacts
Analogue input type	Voltage 0...1 V Voltage 0...10 V (ratiometric) NTC temperature probe - 50...100 °C - res.: 0.1 °C Pt 1000 temperature probe - 50...400 °C - res.: 0.1 °C Voltage 0...5 V Current 0...20 mA/4...20 mA
Sensor power supply	12 V DC at 85 mA
[Us] rated supply voltage	100...240 V

Disclaimer: This documentation is not intended as a substitute for and is not to be used for determining suitability or reliability of these products for specific user applications

## Offer Sustainability

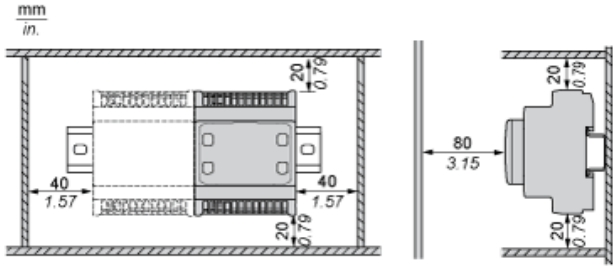
Sustainable offer status	Green Premium product
RoHS (date code: YYWW)	Compliant - since 1429 - Schneider Electric declaration of conformity <a href="#">Schneider Electric declaration of conformity</a>
REACH	Reference not containing SVHC above the threshold <a href="#">Reference not containing SVHC above the threshold</a>
Product environmental profile	Available <a href="#">Product Environmental Profile</a>
Product end of life instructions	Available <a href="#">End of Life Information</a>

Dimensions

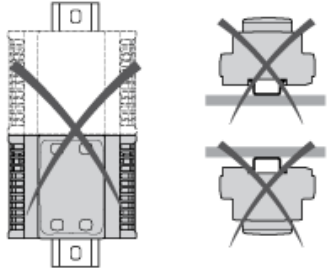


Mounting and Clearance

Clearance



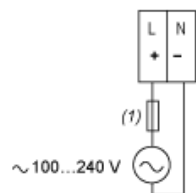
Misplacement



---

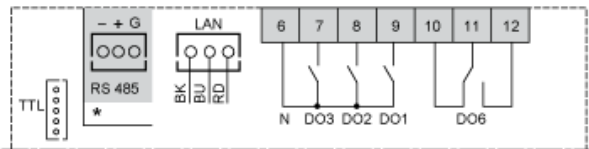
Power Supply

---



(1) Type T fuse 160 mA

Wiring Diagram



- N : Neutral
- GND : Ground
- BK : Black
- BU : Blue
- RD : Red
- AI : Analogue input
- AO : Analogue output
- DI : Digital input
- DO : Digital output