



Main

Range of product	Modicon STB distributed I/O solution
Product or component type	Standard digital input kit
Kit composition	STBXTS2110, 5-terminal spring clamp connector STBXTS1110, 5-terminal screw type connector STBXBA2000 base STBDAI5260 module
Discrete input number	2
Discrete input voltage	115 V
Discrete input voltage type	AC

Complementary

Input voltage limits	0...20 V at state 0 74...132 V at state 1
Permissible voltage	132 V
Absolute maximum voltage	200 V 20 ms
Network frequency	50/60 Hz
Network frequency limits	47...63 Hz
Current state 0 guaranteed	≤ 2 mA
Current state 1 guaranteed	≥ 4 mA
Discrete input logic	Positive or negative
Response time	1.5 ms off-to-on 1.5 ms on-to-off
Protection type	Input protection metal oxide varistor limited Power protection external fuse 0.5 A
Insulation between channels	1780 V for 1 minute
Insulation between channels and logic bus	1780 V for 1 minute
Cold swapping	Yes
Hot swapping	Yes for standard NIMs
Product compatibility	I/O base STBXBA2000 Power distribution module STBPDT2100/2105

Disclaimer: This documentation is not intended as a substitute for and is not to be used for determining suitability or reliability of these products for specific user applications.

[Us] rated supply voltage	115/230 V AC
Supply	Power distribution module
Current consumption	45 mA 5 V DC logic bus
Marking	CE
Overvoltage category	II
Status LED	1 LED green module status (RDY) 1 LED per channel green channel status (IN1 to IN2) 1 LED red module error (ERR)
Depth	65.1 mm
Height	18.4 mm
Width	125 mm
Product weight	0.065 kg

Environment

Standards	EN/IEC 61131-2 type 1
Product certifications	FM Class 1 Division 2 CSA UL
Pollution degree	2 IEC 60664-1
Operating altitude	<= 2000 m
IP degree of protection	IP20 EN 61131-2 class 1
Ambient air temperature for operation	0...60 °C without derating
Ambient air temperature for operation	32...140 °F without derating
Ambient air temperature for storage	-40...85 °C without derating
Ambient air temperature for storage	-40...185 °F without derating
Relative humidity	95 % 60 °C without condensation
Vibration resistance	+/-0.35 mm 10...58 Hz 3 gn 58...150 Hz 35 x 7.5 mm symmetrical DIN rail 5 gn 58...150 Hz 35 x 15 mm symmetrical DIN rail
Shock resistance	30 gn 11 ms IEC 88 reference 2-27

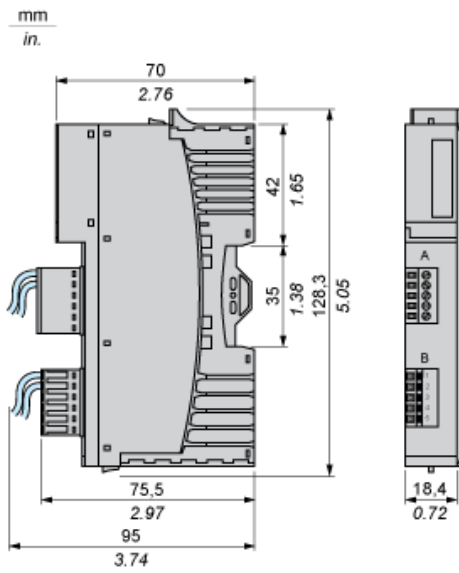
Offer Sustainability

Sustainable offer status	Green Premium product
RoHS (date code: YYWW)	Compliant - since 0627 - Schneider Electric declaration of conformity Schneider Electric declaration of conformity
REACH	Reference contains SVHC above the threshold - Go to CaP for more details Go to CaP for more details
Product environmental profile	Available Product Environmental Profile
Product end of life instructions	Available End of Life Information

Contractual warranty

Warranty period	18 months
-----------------	-----------

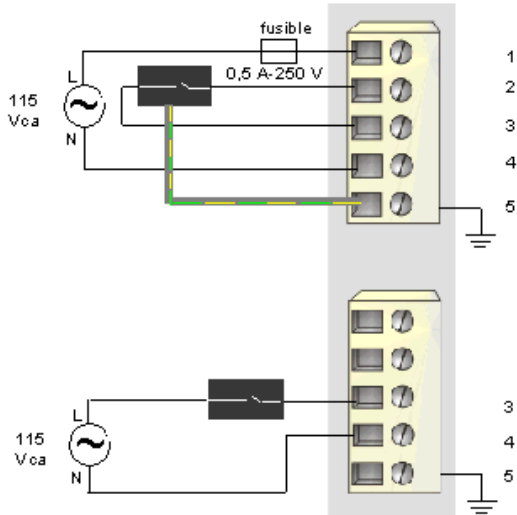
Dimensions



Wiring Diagram

Example

2 two-wire sensors



Pin	Top Connector	Bottom Connector
1	115 VAC source power 1 (to the module)	115 VAC source power 2 (to the module)
2	sensor power 1	sensor power 2
3	input from sensor 1	input from sensor 2
4	field power neutral 1 (to the module)	field power neutral 2 (to the module)
5	protective earth	protective earth