



## Main

Range of product	Modicon STB distributed I/O solution
Product or component type	Basic analog output kit
Kit composition	STBXBA1000 base STBAVI1270 module STBXTS2100, 6-terminal spring clamp connector STBXTS1100, 6-terminal screw type connector
Analogue output type	Current: 4..20 mA
Analogue output number	2
Analogue output resolution	10 bits

## Complementary

Analogue output current	0.02 A
Response time	3 ms
Cold swapping	Yes
Hot swapping	No for basic NIMs
Fallback	State 0
Data format	EN 61131-2 IEC 61131-2
Update time	25 ms
Conversion time	900 ms at +/- 0.1 % of final value
Protection type	Short-circuit protection
Integral linearity	+/- 0.1 %FS
Differential linearity	Monotonic
Absolute accuracy error	+/- 0.5 % of full scale per °C
Temperature drift	+/-0.01 %/°C
Insulation between channels and logic bus	1500 V for 1 minute
Insulation between channels and actuator bus	30 V

Addressing requirement	2 output words
Product compatibility	Power distribution module STBPDT3100/3105 Mounting base STBXBA1000
[Us] rated supply voltage	24 V DC
Supply	Power distribution module
Current consumption	40 mA at 5 V DC for logic bus
Marking	CE
Overvoltage category	II
Status LED	1 LED (green)module status (RDY):
Depth	70 mm
Height	13.9 mm
Width	128.3 mm

## Environment

Product certifications	CSA UL FM Class 1 Division 2
Pollution degree	2 conforming to IEC 60664-1
Operating altitude	<= 2000 m
IP degree of protection	IP20 conforming to EN 61131-2 class 1
Ambient air temperature for operation	0...60 °C (without)
Ambient air temperature for operation	32...140 °F without
Ambient air temperature for storage	-40...85 °C without
Ambient air temperature for storage	-40...185 °F without
Relative humidity	95 % at 60 °C without condensation
Vibration resistance	3 gn at 58...150 Hz on 35 x 7.5 mm symmetrical DIN rail 5 gn at 58...150 Hz on 35 x 15 mm symmetrical DIN rail +/-0.35 mm at 10...58 Hz
Shock resistance	30 gn for 11 ms conforming to IEC 88 reference 2-27

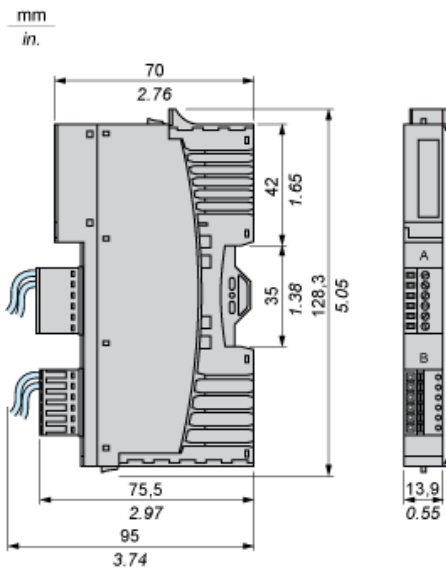
## Offer Sustainability

Sustainable offer status	Green Premium product
REACH Regulation	<a href="#">REACH Declaration</a>
EU RoHS Directive	Pro-active compliance (Product out of EU RoHS legal scope) <a href="#">EU RoHS Declaration</a>
Mercury free	Yes
RoHS exemption information	<a href="#">Yes</a>
China RoHS Regulation	<a href="#">China RoHS declaration</a>
Environmental Disclosure	<a href="#">Product Environmental Profile</a>
Circularity Profile	<a href="#">End of Life Information</a>
WEEE	The product must be disposed on European Union markets following specific waste collection and never end up in rubbish bins

## Contractual warranty

Warranty	18 months
----------	-----------

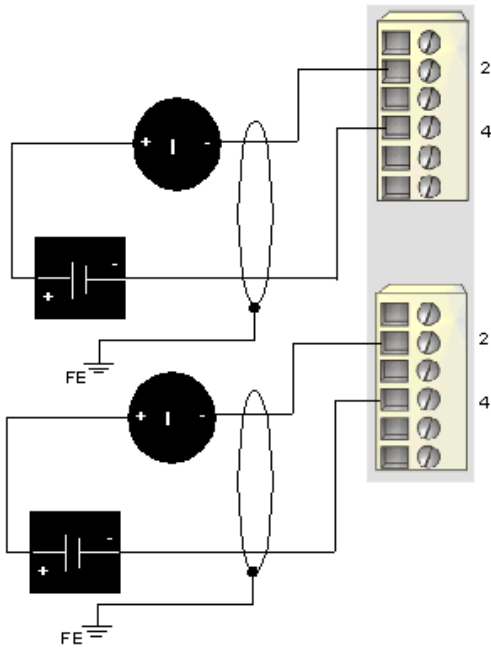
## Dimensions



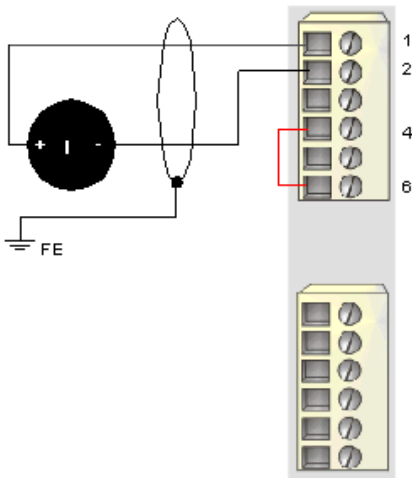
## Wiring Diagrams

### Examples

2 isolated analog actuators, external 24 VDC power supplies



2 non-isolated analog actuators, 24 VDC supplied by the PDM



Pin	Top Connections	Bottom Connections
1	+24 VDC from actuator bus for field device accessories	+24 VDC from actuator bus for field device accessories
2	output to actuator 1	output to actuator 2
3	no connection	no connection
4	output channel return	output channel return

Pin	Top Connections	Bottom Connections
5	no connection	no connection
6	field power return (to the module)	field power return (to the module)