



Main

Range of product	Zelio Relay
Product or component type	Solid state relay
Device short name	SSLM
Network number of phases	1 phase

Complementary

Mounting support	Symmetrical DIN rail
[In] rated current	3 A
Output voltage	5...60 V DC
[Uc] control circuit voltage	4...28 V DC
Contacts type and configuration	1 NO
Tightening torque	0.6...0.8 N.m
Connections - terminals	Screw terminals : 1 x 0.2...1 x 5.26 mm ² (AWG 24...AWG 10)
Switching voltage	4 V DC turn-on
Load current	0...3 A
Voltage drop	<= 1 V on-state
Leakage current	<= 0.001 mA off-state
Response time	50 µs turn-on 100 µs turn-off
Overvoltage category	III
Width	7.5 mm
Height	80 mm
Depth	63 mm
Product weight	0.03 kg

Environment

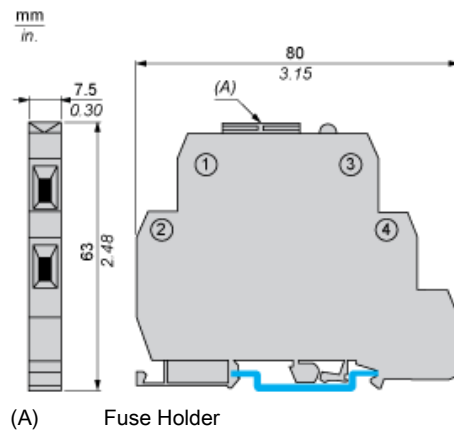
Dielectric strength	4000 V for input/output
---------------------	-------------------------

Pollution degree	2
Product certifications	UL EAC CSA
Marking	CE UL CSA EAC
Ambient air temperature for operation	0...70 °C

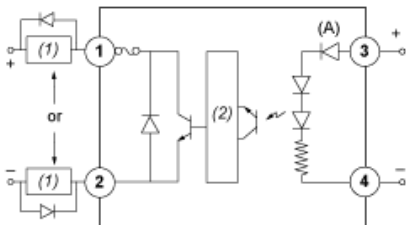
Offer Sustainability

Sustainable offer status	Green Premium product
RoHS (date code: YYWW)	Compliant - since 1522 - Schneider Electric declaration of conformity Schneider Electric declaration of conformity
REACH	Reference not containing SVHC above the threshold Reference not containing SVHC above the threshold
Product environmental profile	Available Product Environmental Profile
Product end of life instructions	Available End of Life Information

Dimensions



Wiring Diagram



- 1,2 : Field VDC (Supply through Load)
- 3, 4 : Vcc
- (1) Load
- (2) Amplifier
- (A) LED