



Main

Range of product	Lexium SD3
Product or component type	Motion stepper drive
Device short name	SD328
Supply voltage limits	100...120 V 200...240 V
Bus type	Fieldbus

Complementary

Format of the drive	Block
Network number of phases	Single phase
[Us] rated supply voltage	100...120 V (- 15...10 %) 200...230 V (- 15...10 %)
Supply voltage type	AC/DC
Network frequency limits	50...60 Hz (- 15...10 %)
Communication interface	Integrated Profibus DP fieldbus
Motor phase current	≤ 2.5 A
Current consumption	≤ 0.2 mA (24 V control voltage) 3 A at 230 V (main supply) 4 A at 115 V (main supply)
Nominal power	180 W at 115 V 270 W at 230 V
Short-circuit current	0.5 kA
Power losses	≤ 26 W
Associated fuse rating	6 A at 115 V 6 A at 230 V
Overvoltage category	III
Inrush current	< 60 A
Leakage current	< 30 mA 10 m conforming to IEC 60990-3
Voltage state 0 guaranteed	-3...5 V (24 V input signals)


Disclaimer: This documentation is not intended as a substitute for and is not to be used for determining suitability or reliability of these products for specific user applications

Voltage state 1 guaranteed	15...30 V (24 V input signals)
Input current	<= 10 mA (24 V input signals)
Input frequency	<= 200 kHz, signal input ENC_A, ENC_B, ENC_I, pulse/direction <= 400 kHz, signal input ENC_A, ENC_B, ENC_I, A/B
Output frequency	< 400 kHz, pulse/direction interface, A/B <= 200 kHz, pulse/direction interface, pulse/direction
Maximum switching current	<= 50 mA (24 V output signals)
Voltage drop	1 V, 50 mA load (24 V output signals)
Physical interface	RS422 - pulse/direction interface RS422 - signal input ENC_A, ENC_B, ENC_I
Output voltage	<= 30 V (24 V output signals) 4.75...5.25 V (ENC+5V_OUT signal output)
Input voltage	24 V -15 %/+20 % (24 V control voltage)
Residual ripple	< 5 % (24 V control voltage)
Resistance	5 kOhm (pulse/direction interface)
Safety function	Safe torque off safety function for machine conforming to IEC/EN 61800-5-2 Safe torque off safety function for machine conforming to ISO 13849-1 level d Safe torque off safety function for system process conforming to EN/IEC 61508 level SIL2 Safe torque off safety function for system process conforming to IEC/EN 61800-5-2
Type of cooling	Natural convection
Maximum mechanical speed	3000 rpm
Height	145 mm
Width	72 mm
Depth	140 mm
Shock resistance	15 gn for 11 ms conforming to EN/IEC 60068-2-27
Product weight	1.1 kg

Environment

Electromagnetic compatibility	Electrostatic discharge level 3 conforming to EN/IEC 61000-4-2 Immunity to electrical transients level 4 conforming to EN/IEC 61000-4-4 Immunity to radiated radio-electrical interference level 3 conforming to EN/IEC 61000-4-3 Voltage/Current impulse level 3 conforming to EN/IEC 61000-4-5
Standards	EN/IEC 50178 EN/IEC 61800-3 EN/IEC 61800-3 environment 1 EN/IEC 61800-3 environment 2 EN/IEC 61800-5-1
Product certifications	CUL TÜV UL
Marking	CE
Ambient air temperature for operation	0...50 °C
Ambient air temperature for storage	-25...70 °C
Pollution degree	Level 2
Relative humidity	5...85 % without condensation
Operating altitude	<= 1000 m without derating > 1000...< 2000 m without derating (maximum ambient temperature 40°C, no protective film, lateral distance of > 50mm)
Vibration resistance	1.5 mm (f = 3...13 Hz) conforming to EN/IEC 60068-2-6 1 gn (f = 13...150 Hz) conforming to EN/IEC 60068-2-6
IP degree of protection	IP20 IP40 on upper part without removal of protective film

Offer Sustainability

Sustainable offer status	Green Premium product
RoHS (date code: YYWW)	Compliant - since 0921 - Schneider Electric declaration of conformity  Schneider Electric declaration of conformity
REACH	Reference not containing SVHC above the threshold

Reference not containing SVHC above the threshold

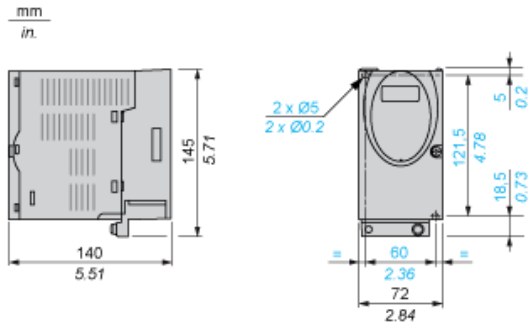
Product environmental profile	Available Product Environmental Profile
-------------------------------	--

Product end of life instructions	Available
----------------------------------	-----------

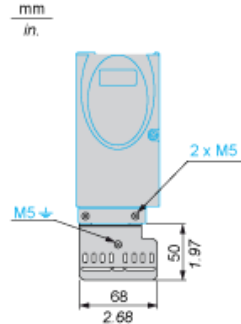
Contractual warranty

Warranty period	18 months
-----------------	-----------

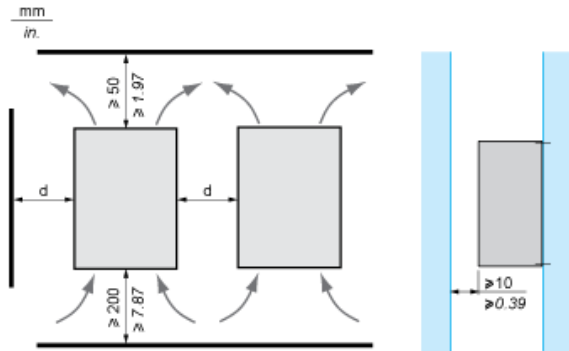
Dimensions



EMC mounting plate (included)



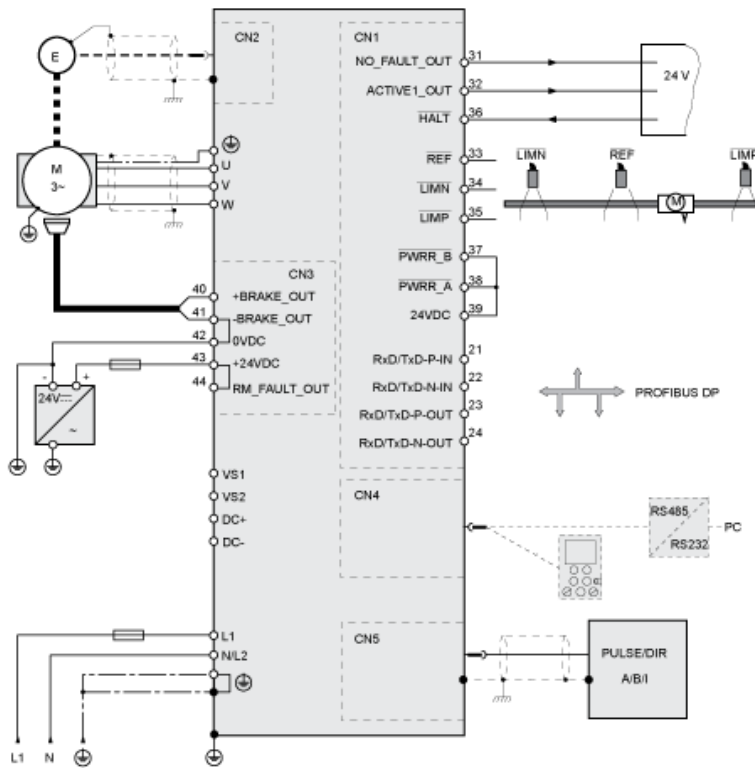
Mounting and Clearance



Ambient temperature	Mounting distances	Mounting recommendations	
		Without protective film (1)	With protective film
0 ... +40 °C	d > 50 mm/1.97 in.	None	None
	d > 50 mm/1.97 in.	None	d > 10 mm/0.39 in.
+40 ... +50 °C	d > 50 mm/1.97 in.	None	Reduce nominal and continuous current by 2.2 % per °C above 40 °C
	d > 50 mm/1.97 in.	Reduce nominal and continuous current	Operation not possible

(1) Recommendation: remove protective film after installation.

SD328B Connection Example with Fieldbus Control



Example of Application of the Safety Function: Category 0 Stop

