



## Main

Range of product	Lexium SD2
Product or component type	Motion stepper drive
Device short name	SD218
Communication interface	CANopen

## Complementary

Network number of phases	Single phase
[Us] rated supply voltage	24...48 V
Supply voltage type	DC
Supply voltage limits	12...48 V
Motor phase current	$\leq 5$ A
Current consumption	$\leq 4$ mA
Voltage state 0 guaranteed	0...0.8 V for general purpose I/O defined as inputs
Voltage state 1 guaranteed	2.2...24 V
Input current	1.75 mA - high level for general purpose I/O defined as inputs
Output current	600 mA - single channel, duty cycle = 0.8 for general purpose I/O defined as outputs 275 mA - four channels, continuous for general purpose I/O defined as outputs
Input voltage	0...24 V for general purpose I/O defined as inputs
Residual ripple	2 V at nominal voltage
Electrical connection	1 connector wire crimp 4 pins for motor interface 1 connector wire crimp 2 pins for supply voltage 1 connector DB9 for fieldbus for CANopen interface 1 connector wire crimp 14 pins for multifunction interface
Transmission rate	10, 20, 50, 100, 125, 250, 800, 1000 kbauds
Type of cooling	Convection
Width	76 mm
Height	54 mm
Depth	99 mm
Marking	CE
Product weight	0.34 kg

Disclaimer: This documentation is not intended as a substitute for and is not to be used for determining suitability or reliability of these products for specific user applications

## Environment

Electromagnetic compatibility	Electrostatic discharge conforming to EN/IEC 61000-4-2 Immunity to radiated radio-electrical interference conforming to EN/IEC 61000-4-3 Immunity to electrical transients conforming to EN/IEC 61000-4-4 Voltage/current impulse conforming to EN/IEC 61000-4-5 Immunity to voltage dips conforming to EN/IEC 61000-4-11 Immunity to conducted RF disturbances conforming to EN/IEC 61000-4-6
Standards	EN 55011 group 1 class A EN 61000-3-2 EN 61000-3-3
Ambient air temperature for operation	0...50 °C without derating with flange motor mounted on a steel plate 300 x 300 x 10 mm 50...65 °C with power derating of 2.2 % per °C with flange motor mounted on a steel plate 300 x 300 x 10 mm
Ambient air temperature for storage	-25...70 °C
Relative humidity	15...85 % without condensation
Operating altitude	<= 1000 m without derating
IP degree of protection	IP20

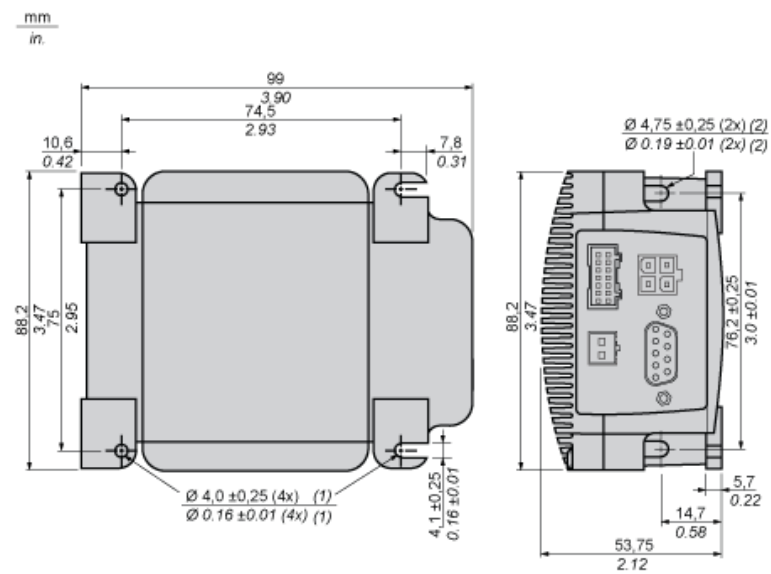
## Offer Sustainability

RoHS (date code: YYWW)	Will not be compliant Will not be compliant
------------------------	--

## Contractual warranty

Warranty period	18 months
-----------------	-----------

Dimensions



- (1) M3.5 screws for flat mount.
- (2) M4 screws for end mount.