



Main

Range of product	Zelio Relay
Product or component type	Socket
Contact terminal arrangement	Separate
Product compatibility	Plug-in relay, RSL, 1 C/O, control circuit 12 V DC Plug-in relay, RSL, 1 C/O, control circuit 24 V DC
Shape of pin	Flat
Device short name	RSLZ
Device presentation	Basic element
Sale per indivisible quantity	10
Switching voltage	12 V AC/DC 24 V AC/DC

Complementary

[I _{th}] conventional free air thermal current	6 A
[U _e] rated operational voltage	< 300 V AC
Clamping force	10...40 N
Fixing mode	Plastic compression spring mounting on 35 mm symmetrical DIN rail
Marking	CE
CAD overall width	6.2 mm
CAD overall height	78.6 mm
CAD overall depth	101 mm
Product weight	0.023 kg
Rated operational voltage limits	11.4...14.4 V 21.6...28.8 V

Environment

Connections - terminals	Spring terminals, 1 x 0.2...1 x 1.5 mm ² / AWG 24...AWG 16 flexible cable with cable end
-------------------------	---

Spring terminals, 1 x 0.2...1 x 1.5 mm² / AWG 24...AWG 16 solid cable without cable end

Standards	IEC 61984 UL 508
Product certifications	CSA GOST
Ambient air temperature for storage	-40...85 °C
Ambient air temperature for operation	-40...70 °C
IP degree of protection	IP20 conforming to EN/IEC 60529
Dielectric strength	2500 V

Offer Sustainability

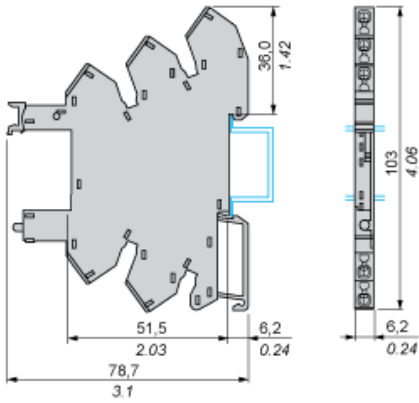
Sustainable offer status	Green Premium product
RoHS (date code: YYWW)	Compliant - since 1417 - Schneider Electric declaration of conformity Schneider Electric declaration of conformity
REACH	Reference not containing SVHC above the threshold Reference not containing SVHC above the threshold
Product environmental profile	Available Product Environmental Profile
Product end of life instructions	Need no specific recycling operations End of Life Information

Contractual warranty

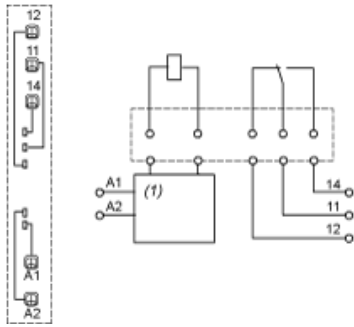
Warranty period	18 months
-----------------	-----------

Dimensions

mm
in.



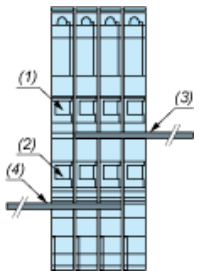
Wiring Diagram



(1) Protection circuit

Example of RSLZ2 Bus Jumper Mounting on Sockets

Side View



- (1) A1
- (2) A2
- (3) Bus jumper polarity A1
- (4) Bus jumper polarity A2