



Main

Range of product	Easergy P3
Product or component type	Arc sensor
Type of cable	Shielded cable
Cable length	6 m
Light spectrum sensitivity area	400...1100 nm

Complementary

Height	25 mm
Width	55 mm
Depth	14 mm
Net weight	0.3 kg

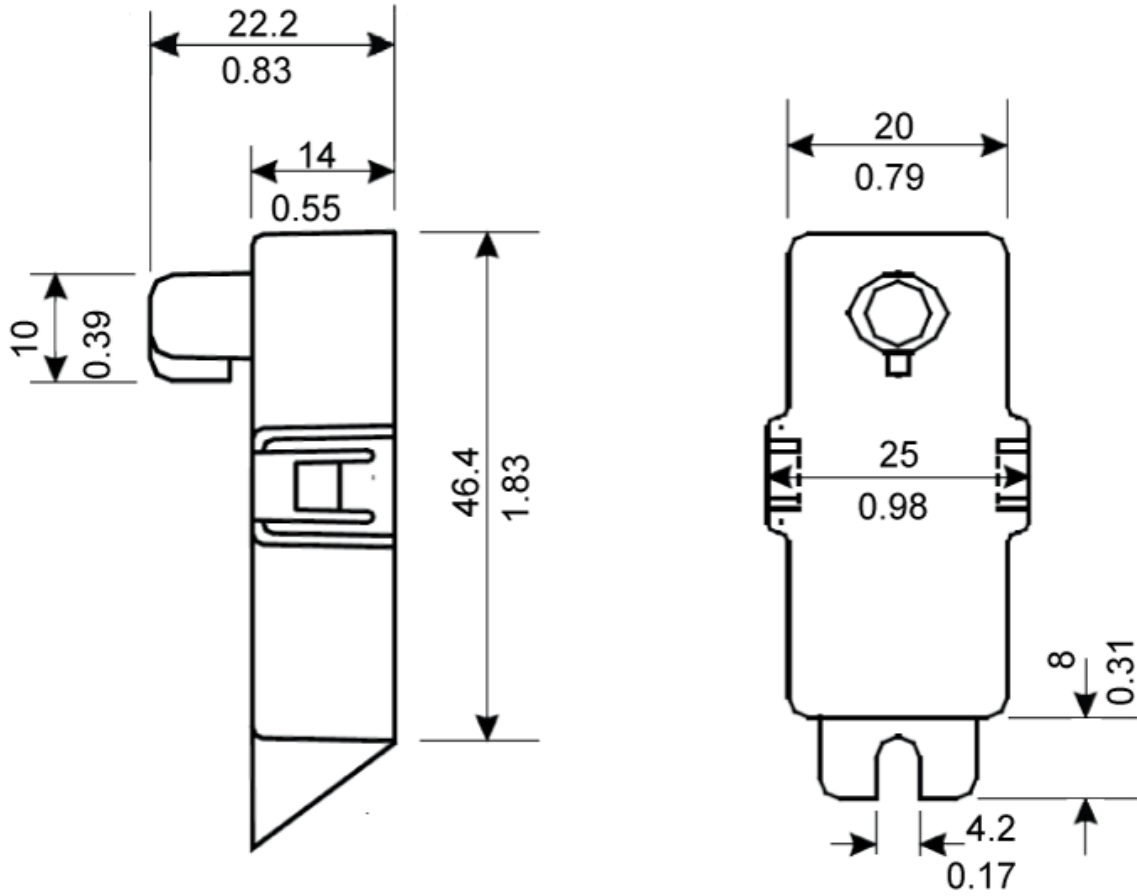
Environment

Pollution degree	2
Ambient air temperature for operation	-25...70 °C

Disclaimer: This documentation is not intended as a substitute for and is not to be used for determining suitability or reliability of these products for specific user applications

Arc Flash Sensors

mm
in.



Arc Flash Sensors: Sensitivity Area

